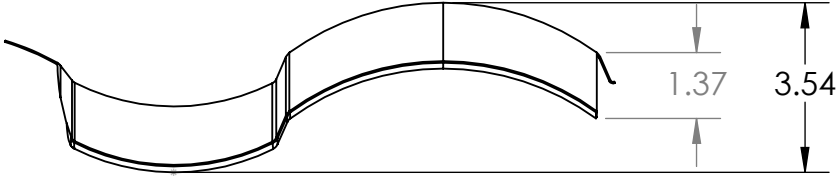
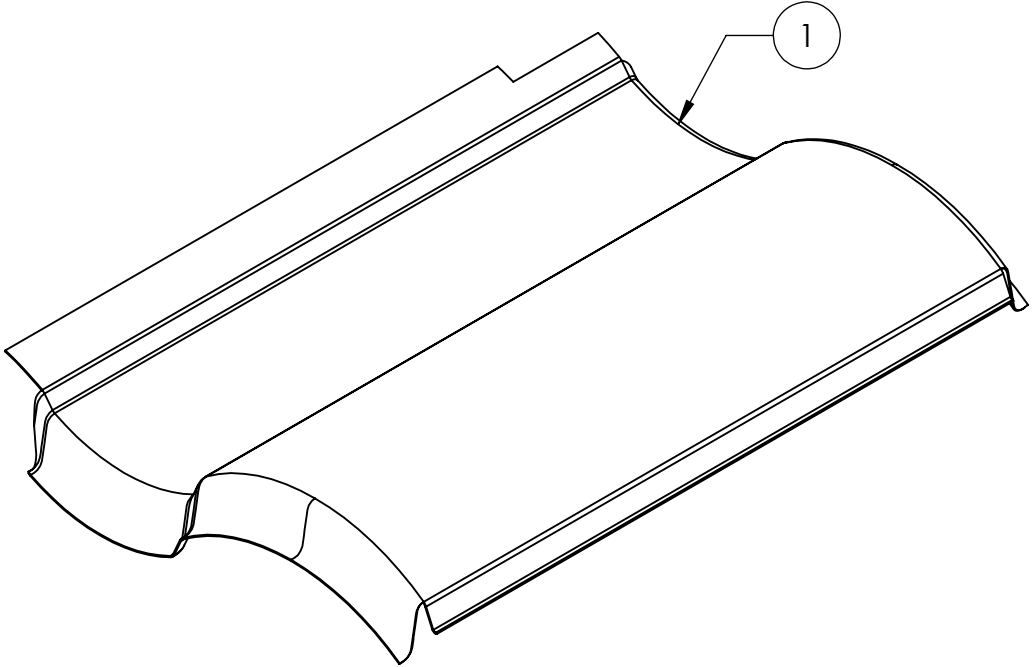
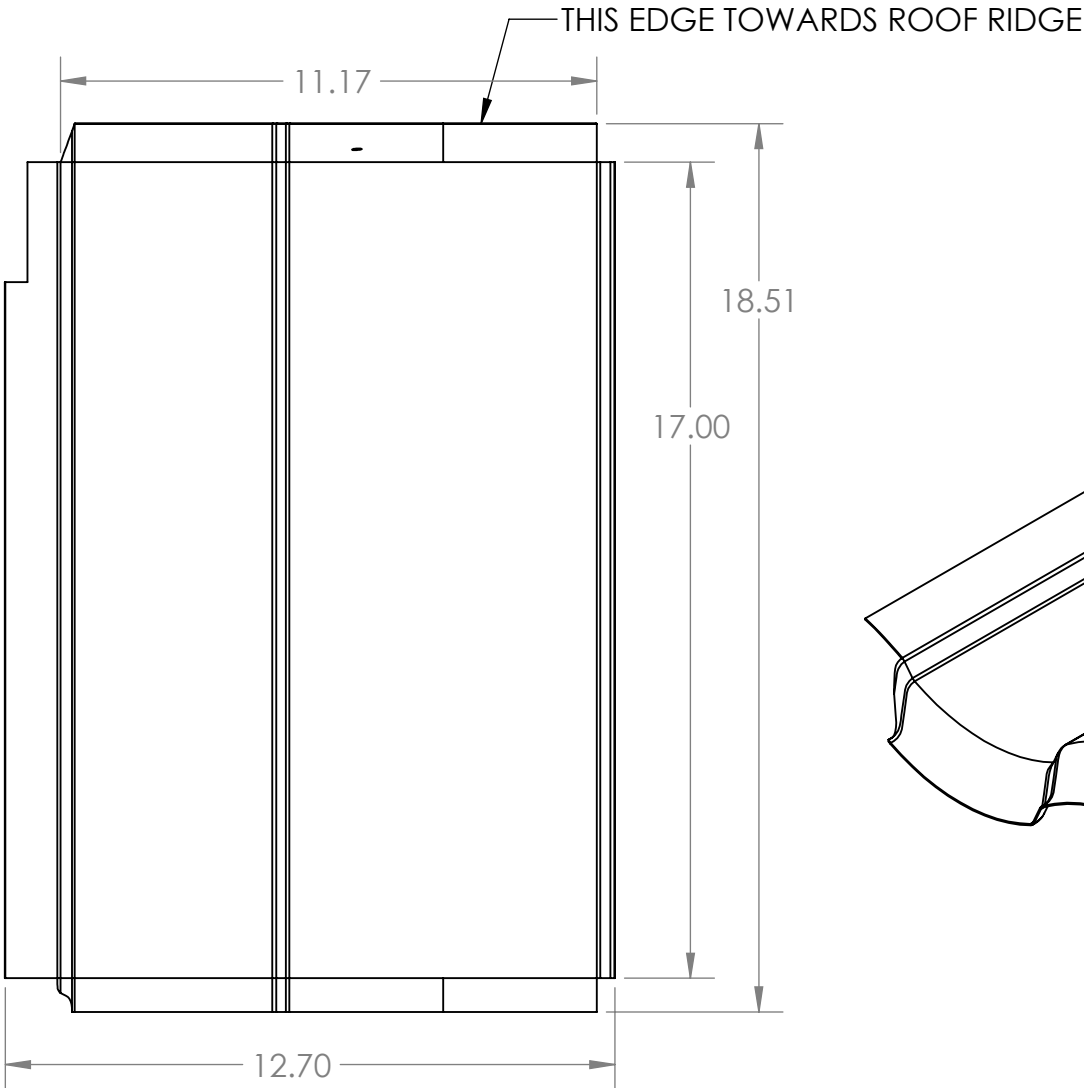


ITEM NO.	DESCRIPTION	QTY.
1	FLASHING, REPLACEMENT TILE, S-TILE, ALUMINUM, MILL	1

AVAILABLE IN MILL, AND BLACK FINISHES



MATERIAL THICKNESS .032

Quick Mount PV[®]

TITLE:
QMC-TRF-S A 12: FLASHING, TILE REPLACEMENT, S-TILE, COMPONENT, MILL, 12 PACK

UNLESS OTHERWISE SPECIFIED: DIMENSIONS ARE IN INCHES TOLERANCES: FRACTIONAL ± 1/8 TWO PLACE DECIMAL ±.19 THREE PLACE DECIMAL ±.094	SIZE A	DRAWN BY: RAD	REV 1
	SCALE: 1:4	DATE: 6/9/2017	WEIGHT: 0.87
		SHEET 1 OF 1	

PROPRIETARY AND CONFIDENTIAL
 THE INFORMATION CONTAINED IN THIS DRAWING IS THE SOLE PROPERTY OF QUICK MOUNT PV. ANY REPRODUCTION IN PART OR AS A WHOLE WITHOUT THE WRITTEN PERMISSION OF QUICK MOUNT PV IS PROHIBITED. COPYRIGHT © 2016 QUICK MOUNT PV

DO NOT SCALE DRAWING