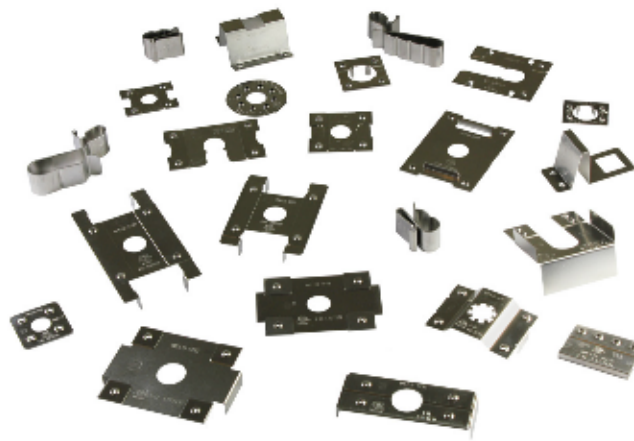
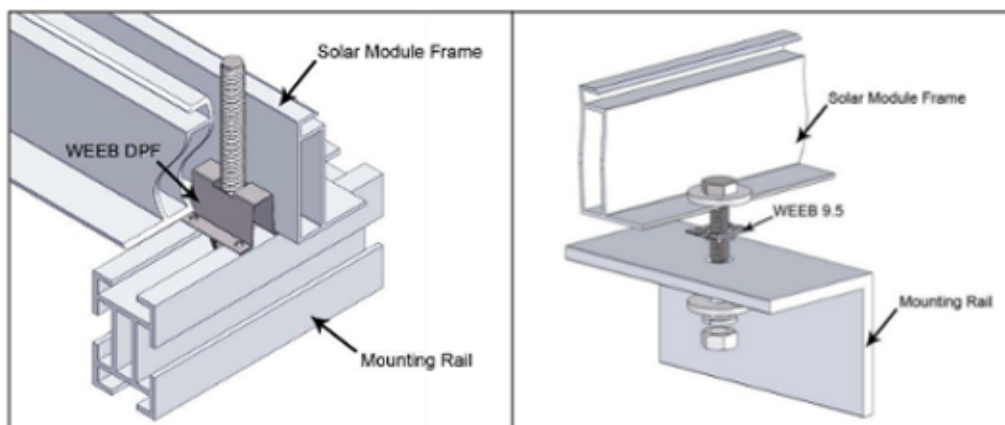


WEEB Washer Electrical Equipment Bond

The WEEB washer line of products is designed to bond solar PV modules to mounting structures and create an electrical path to ground. WEEB washers eliminate the need for older, more costly grounding methods and greatly reduce the amount of labor and materials used in installations. The innovative WEEB washer design removes the need to run ground wire to each individual module and eliminates the need for surface preparation on anodized aluminum components. To install, WEEB washers are placed between PV modules and mounting rails at clamping points or at bolted connections. When anti-seize is applied and the hardware is tightened down to the appropriate torque spec, the WEEB washers' specialized teeth embed into anodized aluminum, galvanized steel, or any electrically conductive metal to establish a gas tight electrical connection.



- Material: 304 stainless steel
- ETL listed to UL 467
- UL recognized to Subject Standard 2703
- Outdoor rated



Customer Service Department
7 Aviation Park Drive
Londonderry NH 03053
1-800-346-4175
1-603-647-5299 (International)



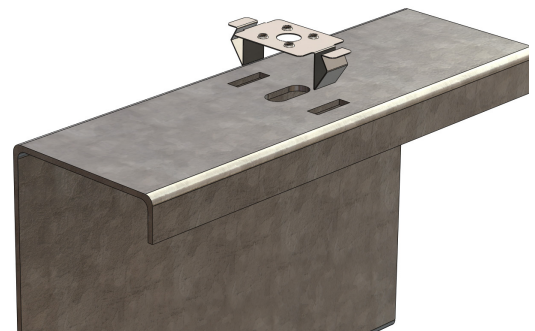
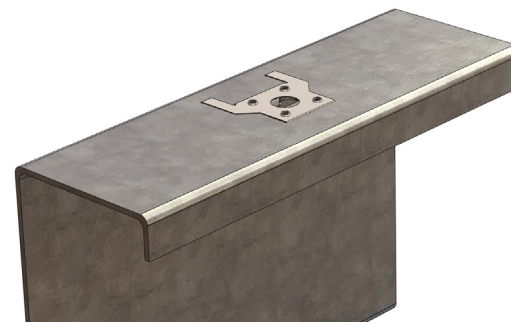
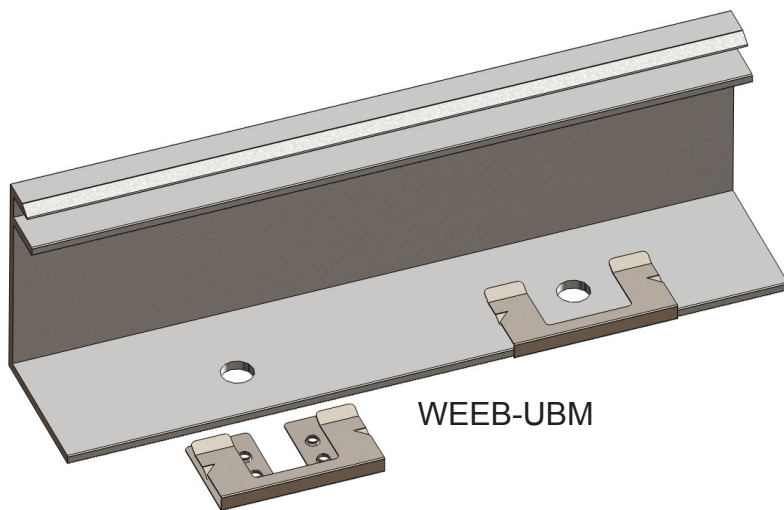
Intertek
4004188



UTILITY WEEB FAMILY

Introducing our new utility family of WEEB washers. The WEEB-UBM clips onto module frames and accommodates a large variety of modules' mounting points. The WEEB-CHC slides into clearance holes on PV mounting structures and retains itself during installation. The WEEB-SLR snaps into additional slots in steel purlins for an integrated bonding solution.

Catalog	Item #	Application	Hardware Size
WEEB-UBM	50017065	Bottom-mount	1/4", 5/16", M8
WEEB-CHC	50017068	Bottom-mount	Custom options available
WEEB-SLR	50017071	Custom applications	Custom options available



- Material: 304 stainless steel
- ETL listed to UL 467
- UL recognized to Subject Standard 2703
- Outdoor rated

Customer Service Department
7 Aviation Park Drive
Londonderry NH 03053
1-800-346-4175
1-603-647-5299 (International)



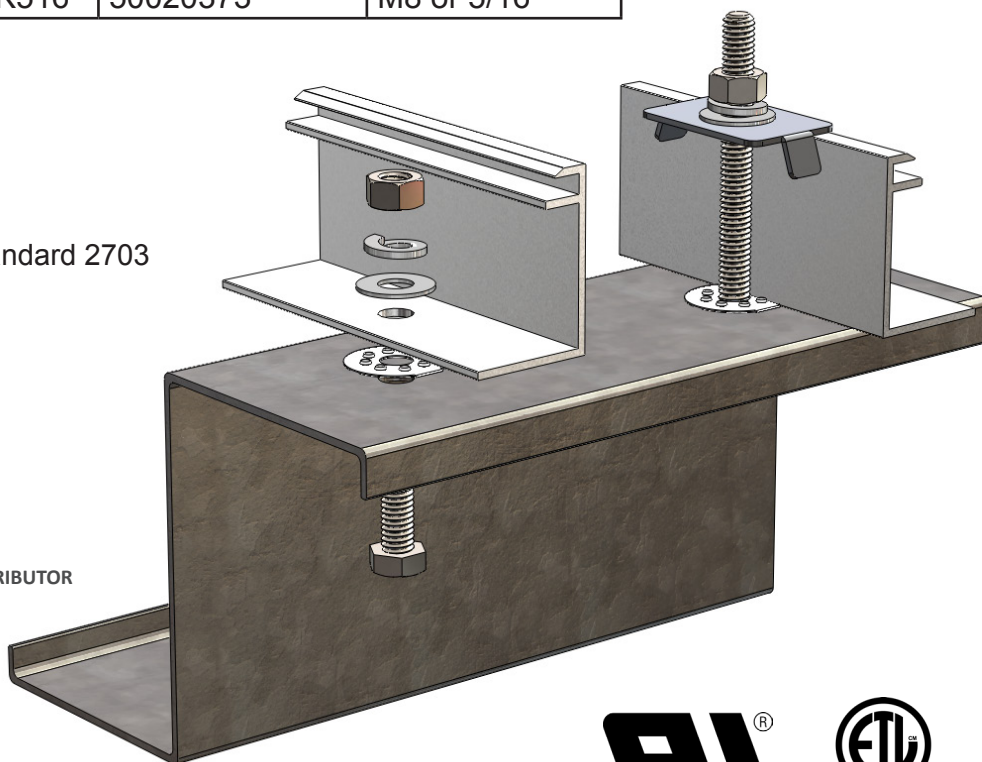
WEEB-DSK FAMILY



Introducing our new family of WEEB washers designated the WEEB-DSK line. The WEEB-DSK is an innovative design, which allows for a wide range of compatibility across various racking systems. The WEEB-DSK family is primarily used for bottom-mount and top-clamp applications. There are several different designs to accommodate multiple hardware sizes. The overall functions of the WEEB-DSK are to bond modules to racking or other components of the racking system to each other.

Catalog	Item #	Hardware Size
WEEB-DSK12	50017065	M12 or 1/2"
WEEB-DSK14	50017068	M6 or 1/4"
WEEB-DSK38	50017071	M10 or 3/8"
WEEB-DSK516	50020373	M8 or 5/16"

- Material: 304 stainless steel
- ETL listed to UL 467
- UL recongized to Subject Standard 2703
- Outdoor rated



Soligent
YOUR BURNDY DISTRIBUTOR
SOLIGENT
800-967-6917
www.soligent.net

Customer Service Department
7 Aviation Park Drive
Londonderry NH 03053
1-800-346-4175
1-603-647-5299 (International)

