

Wiley Electronics LLC

Washer, Electrical Equipment Bond

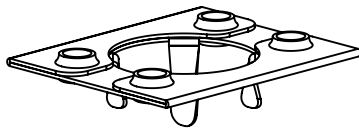
WEEB

Patent Pending

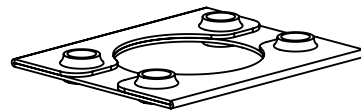
INSTALLATION INSTRUCTIONS

For Universal Bonding Applications

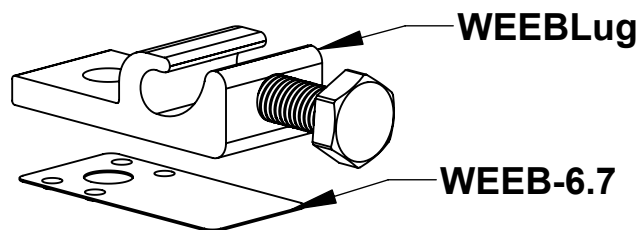
Please read carefully before installing.



WEEB-9.5



WEEB-9.5 NL



WEEBL-6.7 assembly



Products are tested to UL 467 3098177
UL standard for safety grounding and bonding equipment

Document Number 104-0404-000001-201

WEEB COMPATIBILITY

The WEEB family of products can be used to bond anodized aluminum, galvanized steel, steel and other electrically conductive metal structures.

WEEB-9.5 / WEEB-9.5NL

The WEEB-9.5 and WEEB-9.5 NL are designed for bonding pole and ground mount systems as well as other universal mounting structures. The retaining legs on the WEEB-9.5s are designed to fit in a 3/8" diameter clearance hole and are compatible with 1/4"-5/16" fasteners. The WEEB-9.5NLs are used to bond any two members with clearance hole diameters ranging from 1/4"-3/8".

The following are ways that the WEEB-9.5 and WEEB-9.5NL are used.

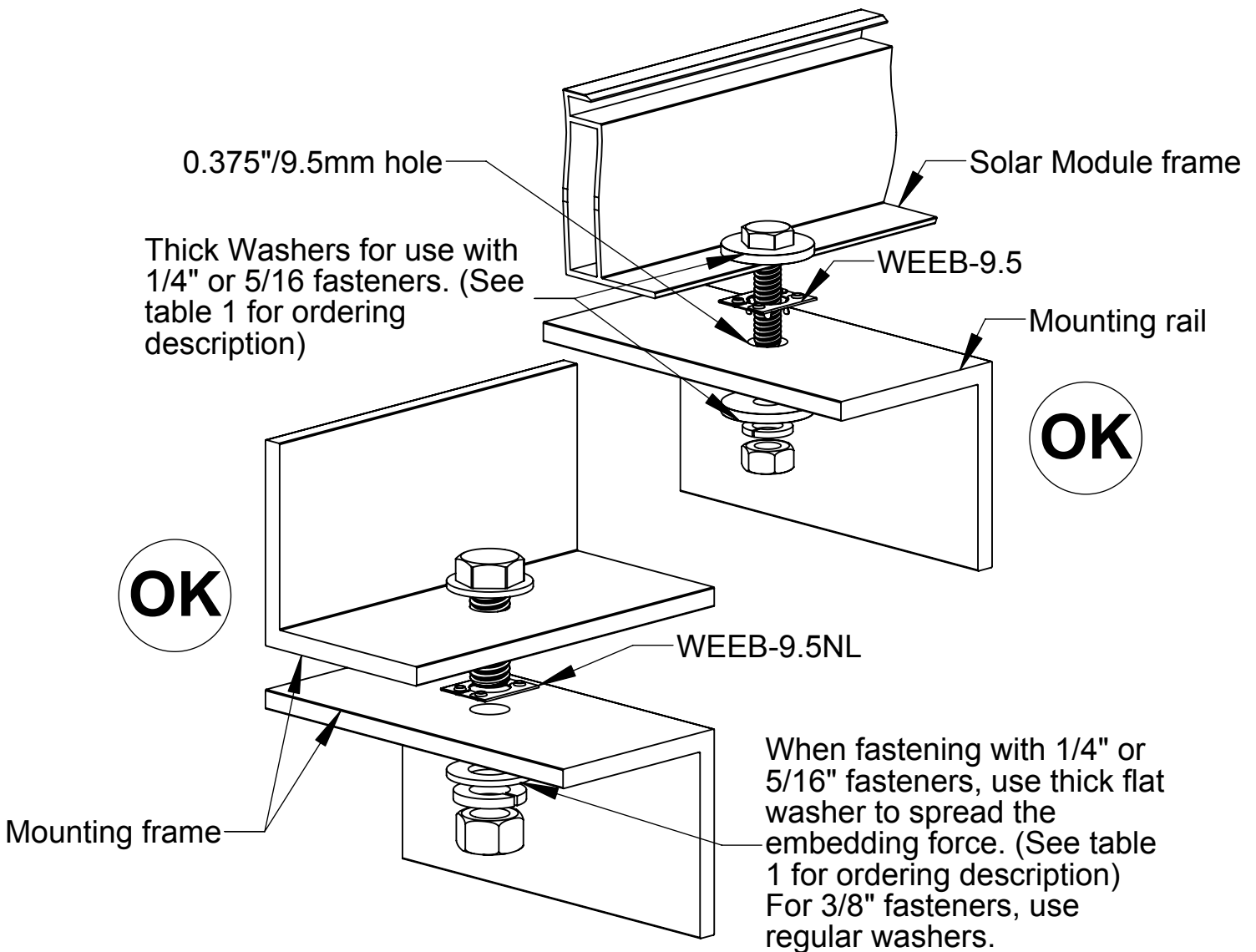
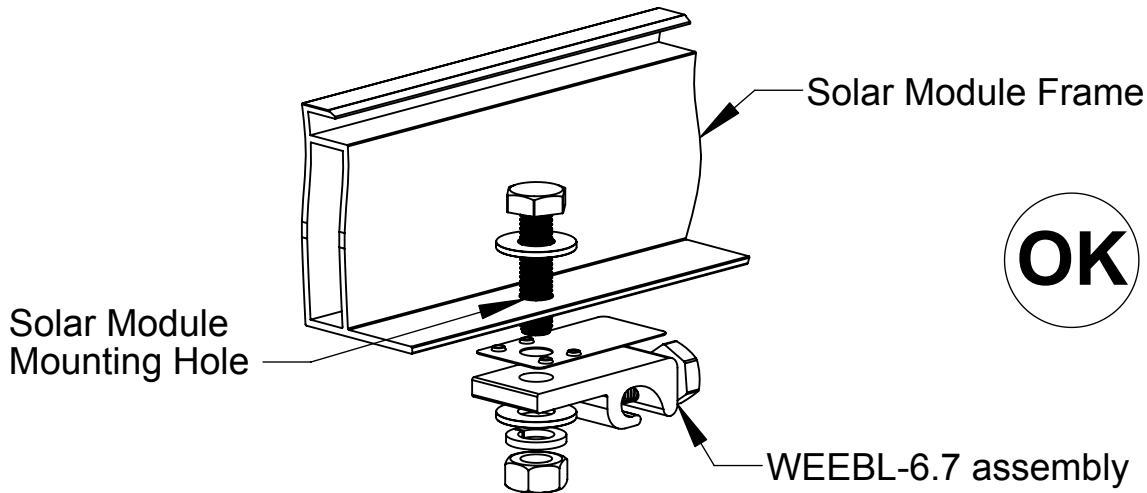


Table 1	Ordering Description	Qty used per WEEB-9.5/9.5NL
1/4" fasteners	Washer, 1/4" clearance	2
5/16" fasteners	Washer, 5/16" clearance	2

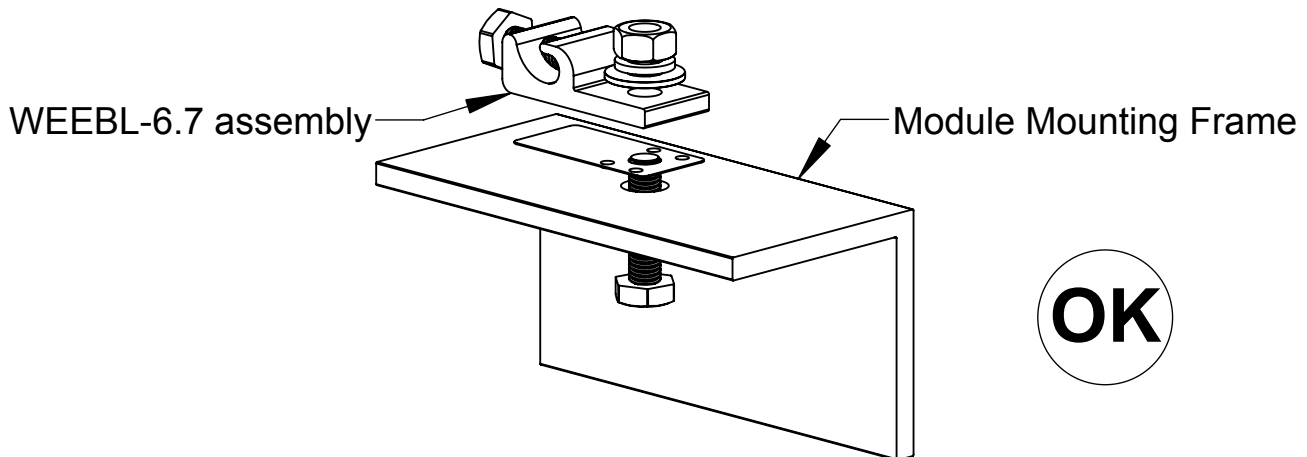
WEEBL-6.7 assembly

The following are a few universal ways to use the WEEBL-6.7 assembly with an equipment ground conductor. No removal of anodized surface is required.

Connect Solar Module Frame to Ground Conductor



Connect Mounting Frame to Ground Conductor



Important note:

1. Before tightening WEEBLug mounting screw, ensure that the WEEB teeth face towards the aluminum surface and not the WEEBLug. The WEEB-6.7 washer should lie completely between the WEEBLug and the grounding surface.
2. WEEBs are intended for **SINGLE USE ONLY**. Functionality will not be guaranteed if reused.
3. Tighten mounting screw to 10ft-lb/13.5N-m to ensure that the WEEB-teeth fully embeds into the mounting surface.