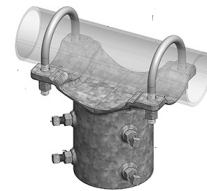
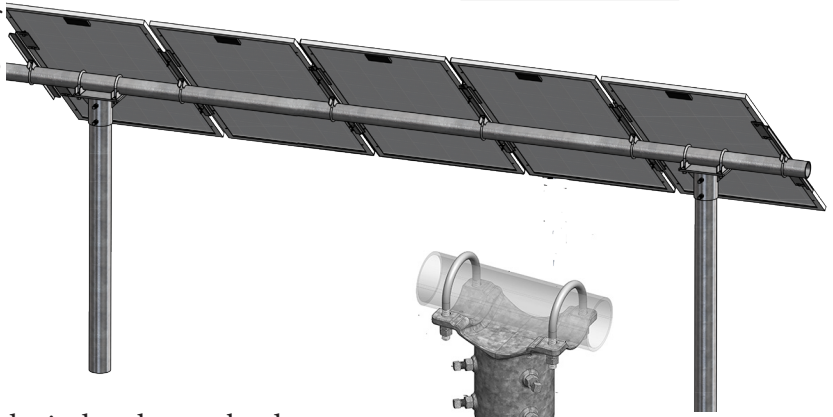




# UNI-PGRM/5P2 FIVE MODULE POLE MOUNT

VERTICAL AND HORIZONTAL SCHEDULE-40\* PIPE IS NOT INCLUDED. PURCHASE LOCALLY  
 \* Some wind speeds and snow loads require three vertical poles or Sch-80 vertical poles. If an additional vertical pole is required order a 70-0300-PGM-B Pole Cap.

- Mount five solar modules with a total area of 125 sq-ft and a frame thickness between 1.18 and 2 inches\*
- Suitable for wind speed up to 150 MPH and snow load up to 100 PSF
- Max post height of 6-feet above ground
- Tilt angle from 10° to 60°
- Ships via UPS
- Simple one-person installation and adjustment



70-0300-PGM-B

\* Larger modules can be mounted with reduced wind and snow load.

User supplies: Vertical pole - two 4-inch steel pipes (4.5-inch OD)

Horizontal beam - 3-inch steel pipe (3.5-inch OD)

See table below to determine pipe requirements. See engineering memo for pier diameter and depth.

Depths range from 5 to 10 feet with diameters of 18-inches or 24-inches.

3-inch horizontal beam must be a minimum of 10-inches wider than 5-times the solar module width.

Pipe Requirements for Various Tilt Angle, Wind and Snow Load - UNI-PGRM/5P2

Angle	Wind Speed	0 psf	10 psf	20 psf	30 psf	50 psf	80 psf	100 psf
10°	105 MPH	A	A	A	A	A	C	C
	130 MPH	A	A	A	A	B	C	C
	150 MPH	A	A	A	A	B	C	C
20°	100 MPH	A	A	A	A	A	C	C
	130 MPH	A	A	A	A	B	C	C
	150 MPH	C	C	C	C	C	C	C
30°	100 MPH	A	A	A	A	A	B	C
	130 MPH	A	A	A	A	B	B	C
	150 MPH	C	C	C	C	C	C	C
40°	100 MPH	A	A	A	A	A	A	B
	130 MPH	A	A	A	A	A	B	B
	150 MPH	C	C	C	C	C	C	C
50°	95 MPH	A	A	A	A	A	A	A
	130 MPH	C	C	C	C	C	C	C
	150 MPH	F	F	F	F	F	F	F
60°	100 MPH	A	A	A	A	A	A	A
	130 MPH	E	E	E	E	E	E	E
	150 MPH	G	G	G	G	G	G	G



SCAN ME

Scan the QR Code above to download manuals and engineering certifications from the Tamarack Solar website.

Blocks that are shaded gray require 3 vertical poles. Order an additional 70-0300-PGM-B