



The Kid Charge Controller Instruction Manual



Features

- MPPT charge controller gives maximum yield for solar, wind and hydro
- Standard model can wall or flush mount
- Marine model includes mounting bracket
- Backlit LCD display
- Works as a load controller / Charge controller
- Menu driven system control
- Can be input paralleled for a true 60 Amp single controller
- Conformal coated circuit board for harsh environments

MidNite Solar
17722 - 67th Ave NE
Arlington, Wa 98223
www.midnitesolar.com



YOUR MIDNITE SOLAR DISTRIBUTOR
SOLIGENT
800-967-6917
www.soligent.net



The Kid Charge Controller Instructions

IMPORTANT SAFETY INSTRUCTIONS

SAVE THESE INSTRUCTIONS - These instructions contain important safety and operating instructions for The Kid Charge Controller.

If you do not fully understand any of the concepts, terminology, or hazards outlined in these instructions, please refer installation to a qualified dealer, electrician or installer. These instructions are not meant to be a complete explanation of a renewable energy system.

GENERAL PRECAUTIONS

WORKING WITH OR IN THE VICINITY OF A LEAD ACID BATTERY, SEALED OR VENTED IS DANGEROUS. VENTED BATTERIES GENERATE EXPLOSIVE GASES DURING NORMAL OPERATION. FOR THIS REASON, IT IS VERY IMPORTANT THAT BEFORE SERVICING EQUIPMENT IN THE VICINITY OF LEAD-ACID BATTERIES YOU REVIEW AND FOLLOW THESE INSTRUCTIONS CAREFULLY.

If service or repair should become necessary, contact MidNite Solar Inc. Improper servicing may result in a risk of shock, fire or explosion. To reduce these risks, disconnect all wiring before attempting any maintenance or cleaning. Turning off the inverter will not reduce these risks. Solar modules produce power when exposed to light. When it is not possible to disconnect the power coming from the Photovoltaics by an external means such as a combiner, cover the modules with an opaque material before servicing any connected equipment.

Do not work alone. Someone should be in the range of your voice or close enough to come to your aid when you work with or near electrical equipment.

Remove rings, bracelets, necklaces, watches etc. when working with batteries, photovoltaic modules or other electrical equipment. Power from an illuminated photovoltaic array makes a very effective arc welder with dire consequences if one of the welded pieces is on your person.

To reduce the risk of injury, connect only deep cycle lead acid type rechargeable batteries. Other types of batteries may leak or burst, causing personal injury or damage.

This equipment is NOT intended for use with life support equipment or other medical equipment or devices.

It is the responsibility of the installer to verify compliance with all applicable codes. Before making any connections verify that the circuit breakers are in the off position including the inverter breaker. Double check all wiring before applying power.



INSTRUCTIONS DE SÉCURITÉ IMPORTANTES

CONSERVER CES INSTRUCTIONS Ces instructions contiennent des informations importantes pour utiliser le Midnite Solar The Kid Charge Controller en toute sécurité.

1. Avant l'utilisez cet appareil lis et comprends toutes les instructions et avertissements.
2. Si vous ne comprenez pas l'une des concepts ou des instructions contenu dans cette manuel consulter un agent spécialisé.
3. Si des réparations sont nécessaires contactez MidNite Solar pour plus des informations. Danger de choc électrique et de risque de brulure. Rien à dépanner à l'intérieure du cette appareil. Ne pas ouvrir le couver. Pour toute réparation ou service d'entretien, consulter un agent spécialisé. Il y'a peut-être plusieurs sources d'alimentation dans cette system. Débrancher toutes les interrupteurs avant toute d'entretien où nettoyage.
4. Ne travaillez pas seul. Quelqu'un devrait toujours être à proximité pour aider en cas d'une situation d'urgence.
5. Retirer bagues, bracelets, colliers, montres, et quelles choses comme ça. Il y'a risque des blessures graves s'il y'a un court-circuit. Cela pourrait ruiner votre journée entière.
6. Le câblage doit être fait en conformité avec le National Electrical Code ANSI / NFPA 70. Utiliser des méthodes de câblage de catégorie 1 pour les connexions de câblage sur des terminaux d'un circuit de classe 2. Utilisez uniquement des fils de AWM de calibre 14-1/0. Sélectionnez le type de câble utilisé sur la base de la protection prévue par les disjoncteurs / fusibles.



The Kid Charge Controller Instructions

Table of Contents

Warnings.....	2
The Kid Dimensions.....	5
Mounting The Kid.....	5
Wiring.....	8
Load Circuit.....	9
Aux Input / Output.....	10
MNBTS Battery Temperature Sensor.....	12
Stacking The Kid.....	12
Set-Up and Use.....	13
Menus.....	13
L.E.D. Legend.....	22
Firmware Update.....	22
Wiring Diagrams.....	23
HyperVOC.....	27
Power Graph.....	28
Accessories.....	28
Whiz Bang Jr. Current Monitoring.....	31
Warranty Information.....	33
Specifications.....	34
Wall Mount Template.....	35



The Kid Charge Controller Instructions

Mounting the KID:

There are three methods of mounting available for the KID:

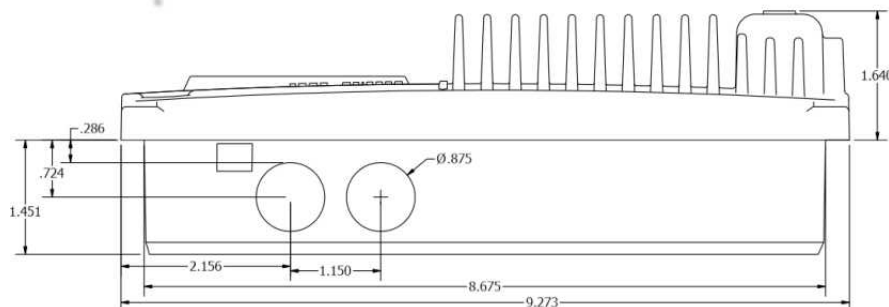
1. In wall mounting.

This is very useful for RV's, some boats and cabins or just about anywhere you want a built in look. You will need to insure that the wall is not so thick as to obstruct the wiring that enters through the bottom surface of the KID. The conduit wire holes in the bottom of the casting are 0.28" (7mm) away from the back mounting flange. So if your wall is more than 0.25" (6.35mm) thick, this may interfere with accessing the wiring behind the wall. The conduit nut or adapter also takes away from this narrow wall allowance. You may be able to remove some material from the back surface of the wall to increase clearance.

Mounting holes are designed for #10 (5mm) screws.

The hole cut into the wall must be very accurate. A template is provided at the end of this manual. The casting on the KID is 8.65" (219mm) x 4.54" (115mm) with a .400 (10mm) radii on each corner. Mounting holes are designed for a #10 (5mm) screw. The center to center dimensions are 8.763" (222mm) x 4.5" (114mm) The KID has a depth of 1.45" (37mm) from the mounting flange to the back surface.

A template is provided at the back of this manual.





The Kid Charge Controller Instructions

2. Surface mount.

The Kid can be mounted on a wall using the supplied wall mount adapter. As a minimum you will need to supply $\frac{1}{2}$ " strain reliefs to secure the wires to the casting. Regular metal strain reliefs are available at any hardware or electrical store. Metal Romex strain reliefs are designed to clamp down on Romex shielded cable. You will most likely be using individual 10AWG conductors and therefore the outer sheath to protect the conductors will not be there. Be aware that excessive clamping pressure from the strain relief will bite through the wire insulation and short the conductors to the case. Not only can this cause fires, it is very hard to trouble shoot.



Locate and twist out the wire knockouts in the bottom section of the wall mount adapter.

Secure the plastic wall mount adapter to the wall using appropriate screws (not provided). Make sure the screws are adequate for the weight of the KID. The wall mount adapter is intended to use #10 (5mm) screws.



Make the wire connections to the terminal block inside the KID, replace the back plate and then assemble the KID to the wall mount adapter. Use the #10 x $\frac{3}{4}$ " Plastite screws provided to secure the KID to the wall mount adapter. Black units get black stainless steel screws and white units get natural stainless steel screws.

RIGHT: The Kid surface mounted.





The Kid Charge Controller Instructions



3. Marine mount.

The third way to mount the KID is with the Marine Mount Bracket.

MNKID-M-BKT-W (White) or **MNKID-M-BKT-B** (Black) Marine Mounting Brackets.

This bracket comes standard with Marine versions. There are two metal pieces that come with the Marine Mount Bracket. A collar that mounts to the KID and the Marine mounting bracket base. Mount the KID to the collar using four 8-32 screws and nuts provided. The kit is available in black or white.

If your installation is to have wiring go through the bracket, then first remove the knockout holes. Mount the bracket securely to a suitable surface Using #10 (5mm) screws.

The base may be mounted from under or above. Two thin rubber washers are provided that go between the collar and the bracket. They help keep the KID from slipping after tightening up the black knobs.

Important!

Mounting bracket may not be suitable for extreme vibration environments.



The Kid Charge Controller Instructions

The Kid Main Electrical Connections

The following pages contain wiring diagrams and system images.

Remove the back cover.

Remove the screw on the middle right of the back cover and gently remove the back cover.

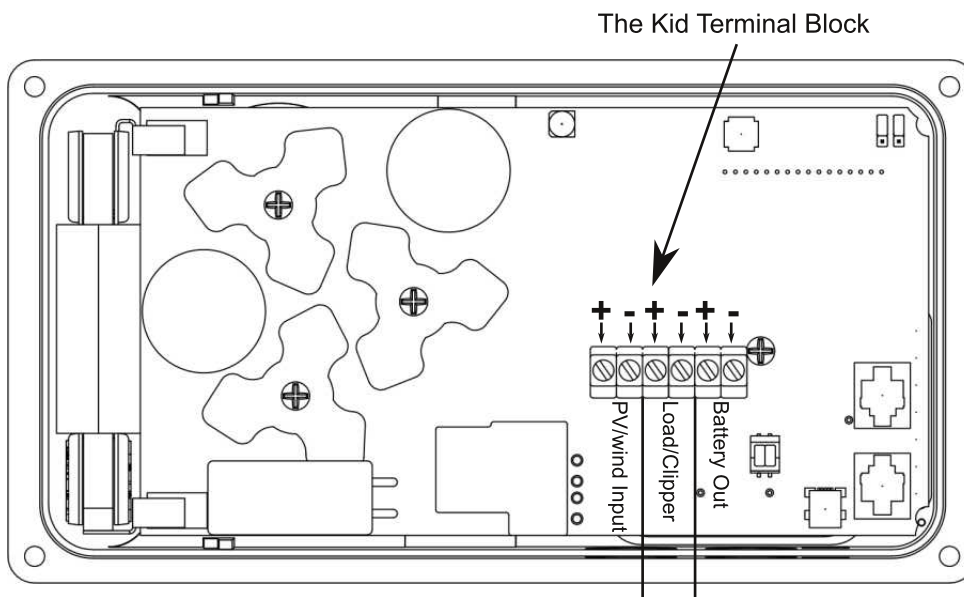
The connections for PV/Wind input, Load/Clipper and Battery out are available on the terminal block shown below, located inside The Kid on the backside of the circuit board. Observe polarity on all connections.

PV/Wind Input: Connections from the solar panels, wind or other AE sources go here.

Load/Clipper: Connections to the controlled load (load control function) or dump load (Clipper Function).

Battery Out: Connections to the battery bank go here.

Torque all connections to 5.5 inch pounds.



Rear View of The Kid with the back cover removed.



The Kid Charge Controller Instructions

Wiring to the KID

Centered directly above the ½” conduit holes you will find the main 30 amp 6 position terminal block. This is where you will connect PV input, loads (if any) and the battery bank. The battery bank should use 10AWG wire (5.26mm²). On the included wiring diagrams you will notice an external 30 amp circuit breaker in series with the battery plus wire. This is very important and is a *requirement* to meet NEC guidelines for overcurrent and disconnect devices. The battery overcurrent device regardless whether it is a circuit breaker or fuse must be rated for the DC voltage rating of the battery bank. Fuses incorporated into the KID are not to be used as these NEC required overcurrent devices. The internal KID fuses are for internal KID operation only. MidNite Solar manufactures numerous circuit breaker boxes for this use.

PV input overcurrent devices should follow the NEC guidelines of 1.56 times short circuit current. Therefore two 250 watt modules in series results in 8.87 amps of short circuit current (Isc) X 1.56 = 13.83 amps. The NEC allows 15 amps through most 14AWG wire, so in this case 14AWG wire is sufficient. Long distances (over 30 feet / 9 meters) may want to use larger wire to minimize voltage drop. Now let's take those same two solar panels and put them in parallel. This configuration will result in 17.7 Isc amps. Multiply this by 1.56 = 27.6 amps. 10AWG wire is rated for 30 amps, so you would need to switch to 10AWG wire for paralleled operation. The NEC requires a disconnect and overcurrent protection on the PV input. Overcurrent protection can be a fuse or circuit breaker. Thermal circuit breakers require the same 1.56 times Isc, but MidNite solar hydraulic/magnetic breakers require only 1.25 times Isc. All MidNite din rail and panel mount breakers are hydraulic/magnetic and are rated to hold 100% current. The use of a breaker is typical because you also get the required disconnect at the same time. MidNite Solar manufactures Baby, Big Baby and Quad boxes to help comply with these requirements.

The wiring diagrams included in these instructions also include another breaker in series with the PV input breaker. This additional device is a DC-GFP. (ground fault protector). The NEC mandates the use of DC-GFP's in all solar systems to help eliminate fires caused from faulty wiring. We find that the best use for these devices is to find wiring errors made during the initial installation. MidNite Solar manufactures the MNDC-GFP63 that fits in the Baby and Big Baby box along with a MNPV30 input breaker. The Big Baby can also hold the battery breaker as discussed above. So one Big Baby box, one MNDC-GFP63, and two MNEPV30 breakers fit the bill for all NEC required disconnects and overcurrent devices.

Load circuit:

The load circuit is a multi-function circuit. Wiring of the loads if installed will depend on the loads. There is no de-rating of the overcurrent device, so if running a 20 amp load. You can use a 20 amp breaker and 12AWG wire. You can run a larger load such as a 400 watt inverter by using a 30 amp breaker and 10AWG wire. The overcurrent device for the loads can be housed in a Baby, big Baby or Quad box. See the wiring diagrams at the end of this manual for more details.

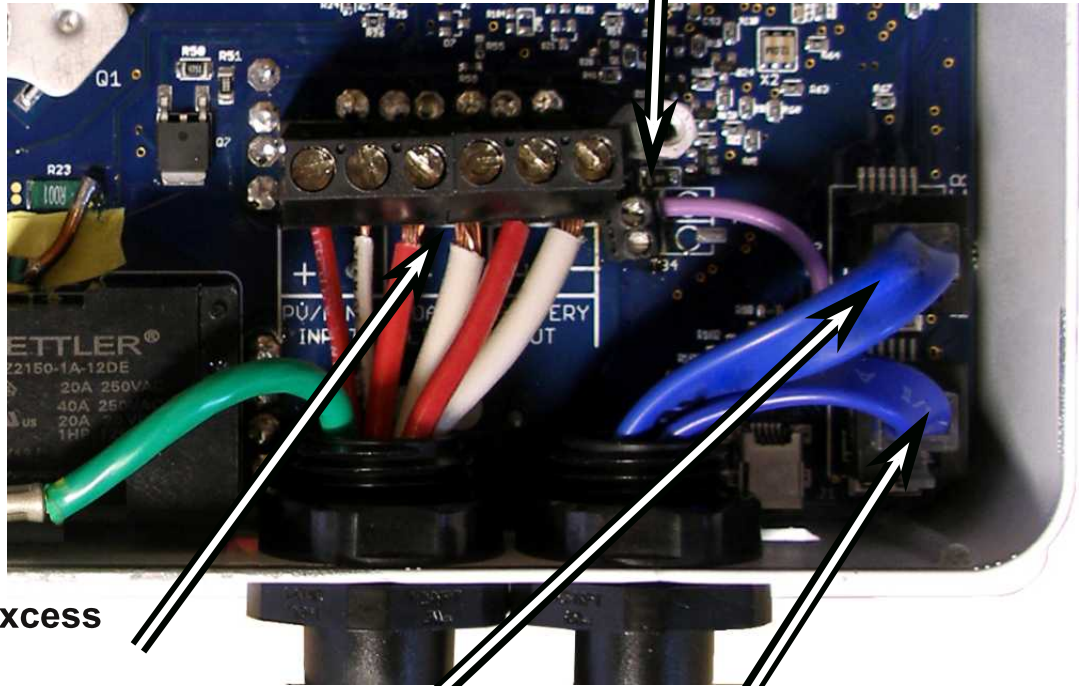


The Kid Charge Controller Instructions

Aux input/output:

This 2 position terminal block is the aux input/output. Presently the KID supports only the MidNite Whizbang Jr battery status monitor to these terminals. The top terminal connects to the single wire coming from the Whizbang Jr.

As new features are added they will be available at no cost at <http://www.midnitesolar.com/firmwareIndex.php>



Do not allow excess exposed wire

Stacking port

Battery temperature sensor plugged in

Sample wiring showing PV, Load/Clipper, Battery, Whizbang Jr., BTS and stacking cable. Wires may exit through either conduit fitting.

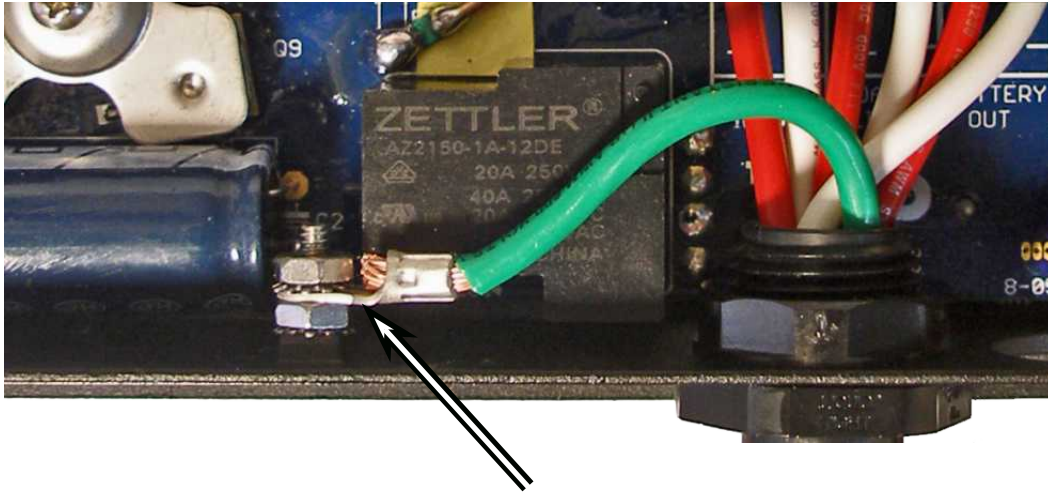


Important!

Both the input and output negative must be connected. Failure to do so will cause inaccurate current readings and possible damage to the unit.

One Heyco part # M3200 strain relief is supplied for the power connections.

One Heyco part # UB-875 bushing is supplied for other connections.



Chassis Ground connection

The screw, nut and terminal for grounding the chassis are included on all models. The chassis ground (equipment ground) is required in an NEC compliant system. The chassis of the KID is isolated from all internal KID circuitry.

Wiring the rest of the system:

Under the “Wiring diagrams” section of this manual there are seven different system configurations. 12, 24 and 48VDC systems are shown. These diagrams are based on common solar panels rated between 230 and 250 watts each, and a VOC of about 37 volts. (60 cell modules). These diagrams cover 95% of all combinations that will be used with the KID. Other solar panels are available and can certainly be used with the KID. Study the wiring diagrams to find the one that best suits your needs. You will see from 2 to 6 solar panels depending on system design and battery voltage. In a 12V system you will be limited to just two of these solar panels. The reason is that the KID has an absolute maximum output of 30 amps. Power is amps X voltage, so 30 amps output times 14 volts (charge voltage) = 420 watts. A 500 watt PV array would be a good match for a 12V system. You can always start with a smaller PV array and add to it at a later date. Keep in mind that PV voltage and current need to be matched closely in most cases. See the power graph at the end of this section. Battery voltage for the KID can be 12, 24 or 48 volts, so that means when you jump to a 24V battery bank, the KID can process twice the power than if it were connected to a 12V battery. In the case of a 48V battery, the KID can process 4 times the power of a 12V battery. Twelve volt batteries are used in marine and RV and very small Renewable Energy systems. When possible, it is better to go with a higher voltage battery bank, but that is usually not possible in a mobile application.



The Kid Charge Controller Instructions

MNBTS Battery Temperature sensor



Standard on Marine versions, optional on All others. The published ratings of batteries are all made at 77 degrees F (25C). Mother nature as well as man doesn't always allow the ambient temperature to hover around 25C while charging batteries. Battery temperature sensors are employed on many sophisticated chargers in order to compensate the charge voltage based on temperature. If you are in an area where the ambient temperature is relatively stable at this temperature, you do not need a BTS (Battery Temp Sensor). If you live in Alaska or in the Sahara desert, you will want a BTS. It will prolong the life of your batteries. The BTS raises the charge voltage when colder than 77 degrees C and decreases the charge voltage above 77 degrees F.

Temp comp is set for lead acid batteries, but is adjustable for other types in the Battery menu.

Stack port:

The KID stacking port is a special jack used for two things. When your power requirements grow and more charging current is required, you can add a second KID and have it act like a 60 amp controller. This requires that the PV input and battery output be paralleled, You accomplish this outside of the KID in a suitable junction box. Programming is required to tell the KID that it is now stacked. Make sure to use wire and breakers of suitable size for each KID. Since you will now have a 60 amp output capability, you might think that a single 60 amp breaker after combining the output is acceptable? However, each KID accepts 10AWG wire max. A 60 amp breaker does not protect 10AWG wire, so two 30 amp breakers will be required. The same situation exists for the PV input. Make sure that wires are not too small for the overcurrent devices.

14AWG = 15 amp breaker
12AWG = 20 amp breaker
10AWG = 30 amp breaker
8AWG = 50 amp breaker
6 AWG = 60 amp breaker



The Kid Charge Controller Instructions

Serial communications from the stack port:

In the future you will be able to get serial data from the stack port. You cannot have a stacked pair of KIDS and serial data at the same time however. Firmware can be downloaded to upgrade the KID features at <http://www.midnitesolar.com/firmwareIndex.php>.

Set-Up and Use

Now that your KID is all wired up, solar panels in place and connected, battery bank installed and any loads connected, it is time to turn things on.

Get a digital meter. They can be had for as low as \$4.00 at Harbor freight, so there is no excuse to not have one. You will need one if support is ever required.

Check list:

Make sure all breakers are off. You didn't have them turned on while wiring did you?

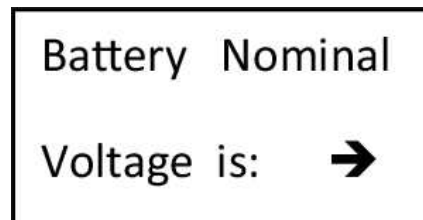
Measure the battery voltage to insure you don't have a bad battery or bad connections. Read from Battery plus to battery minus to get your nominal voltage. A 12V battery should read between 11.5 and 13.00. By the way if it does read below 12V, that is not a good sign! Then measure it again at the KID terminals. It should be the same as at the battery.

Measure the output of the PV array from the PV minus to the PV plus at the point of connection at the PV input breaker. Then turn the PV input breaker on and measure at the KID terminal block PV+ to PV -. A 60 cell module should read about 37VDC. Two in series will read about 74. Three in series should read about 111. Don't worry if you are off by 10% or so.

Please do make sure that the panels are pointed at the sun, that the sun is completely on each panel with no shading and you are not inside of a garage. The sun must be illuminating the entire solar panel (s). You would be surprised how many people don't understand this concept. Our tech support people talk to them all the time. It is easy to avoid this situation.

Leave your Load breaker off for the moment.

Turn on the battery breaker. If this is the first time it has been turned on, you will see this:



If your battery voltage is 12V, then hit the right arrow key to advance to the next set up selection. If you have a different battery voltage than what is displayed, then hit the up or down arrow key until the desired nominal battery voltage is displayed. Once the correct voltage is displayed, hit the right arrow key.



The Kid Charge Controller Instructions

The next set of screens are where you select battery type. Selecting the applicable battery type sets some important parameters that are specific to different battery chemistries. The first choice is Lithium. Use the up arrow to see all the choices. Listed below.

Battery Type
Flooded →

Battery Type
AGM →

Battery Type
Gel →

Battery Type
Calcium SMF →

Battery Type
Lithium →

Battery Type
Custom →

Stop on the correct battery type and then hit the right arrow key. It then takes you to the absorb voltage screen.

Battery Absorb
14.3 Volts →



The Kid Charge Controller Instructions

When the absorb screen appears, use the up/down arrow to adjust absorb voltage. Consult your battery manufacturer for their recommended settings. There is no such thing as one setting that fits all flooded or AGM etc. batteries. Different manufacturers have different requirements. Differences may be subtle, but the KID is capable of very fine adjustment. There is no reason to guess as to these important settings. When done, hit the right arrow key to go to the Float settings screen.

Battery	Float
13.9	Volts →

Setting the Float voltage is accomplished exactly the same as the previous Absorb voltage. Use the up down arrows to adjust the float voltage according to your battery manufacturer's recommendations. When done, hit the right arrow key to bring you to the Equalize screen.

Battery	Equalize
15.0	Volts →

Default is 15.0 volts. This is not high enough to EQ a flooded battery, but not so high that it would hurt a Gel or AGM style battery which is why the EQ default setting is intentionally set low. Flooded batteries require periodic Equalizing to reduce sulfation. Consult your battery manufacturers specifications for a correct EQ setting. If your type of battery does not want to ever be EQ'd, then simply set the voltage to the Absorb voltage.

When done, hit the right arrow key to bring you to the Input Function screen.

Input Function
Solar →

This screen is where you select what type of charge controller you will configure the KID for. Solar is the most common. Use the up /down arrow keys to select Solar, Wind or Hydro, then hit the right arrow key. The screen changes to say DATA HAS BEEN SAVED and then switches to a status screen.

0.0	Resting
12.4V	Solar 0W



The Kid Charge Controller Instructions

Your KID is now set up for all the required settings. There are still two more things to do before it can start charging.

1. Turn on the PV input breaker so the KID has PV array voltage applied.
2. The KID is not yet turned on, so you will need to turn it on. To turn the KID on, you will need to get to the INPUT Main Menu. Use the right arrow key to go to the INPUT menu and push enter. Assuming this is a solar controller and assuming that it booted up in the off position, hit the right arrow key. You will hear the relay click and turn on. Hit the save button. The KID is now on, so hit the status button and see what it is doing. Use the right/left arrow keys to scroll through the different status screens.

MAIN MENUS:

The KID has 7 MAIN MENU headings. This section deals with the MAIN MENU headings only. See INSIDE THE MAIN MENU for what is inside each of the 7 menus.

Hit the MENU/BACK key. This button takes you to all of the Main Menus. Main menus are something you want to become familiar with. No matter where you are at in any menu, you can always get to the Main Menus by hitting this button once or twice.

You scroll through Main Menus from left to right. The left most Main Menu is as follows.

ADJUST	SETPOINTS
<BATTERY>	LOAD

Notice the word BATTERY is in brackets. That means the BATTERY menu will be activated if the ENTER button is pushed. The BATTERY menu allows you to set all battery charging parameters just like what was done in the initial set up.

The BATTERY menu has additional adjustments beyond what the initial set up had. After the first time activating the KID, this is the way to change Battery charging parameters.

The adjustment and settings available inside the BATTERY menu are:

- Absorb voltage settings
- Float voltage settings
- Equalize voltage settings
- Amp limits for battery charging and load draw
- Temperature compensation adjustability
- Temp comp during EQ



The Kid Charge Controller Instructions

Load Menu:

All loads are connected to the LOAD terminals of the main KID terminal block. Moving the fuse and programming the Load Functions determines how and where the load is connected. (Battery vs. Input). Hitting the right arrow key brings up the INPUT menu.

Scrolling to the right will bring you to the **LOAD** menu. This is the LOAD Main Menu. It allows numerous types of load functions.

```
SET LOAD/CLIPPER
BATT <LOAD> INPUT
```

You first select if you are configuring Battery connected loads or Input connected loads.

```
Select Load Mode
*Battery   Input
```

Battery connected load modes are:

Manual	off/auto
Night Light	off/auto
Day Light	off/auto
PWM Divert	off/auto
Float On	off/auto
Float Off	off/auto
Diversion	off/auto
Toggle	off/auto



The Kid Charge Controller Instructions

Low Battery Disconnect:

The kid includes an adjustable Low battery Disconnect function which allows the user to set an absolute discharge limit when using a daily function such as Night Light and the life of the batteries doesn't want to be compromised, it also includes a reconnect voltage set point or it could be reconnected when Float has been reached, ensuring that the batteries have been fully charged after a LBD (Low Battery Disconnect).

If a LBD state has occurred the blue LED will blink slowly.

To set up these parameters:

-Press Main Menu button

-Scroll to the right and select <Load> and press Enter

-Press the Setup button

-If OFF appears under the names Lowbatt and Reconn it means the feature is currently disabled.

-Press the Right button to enable the function, now two numbers will appear under the names

-Press the Left, Right, Up and Down keys to adjust the voltages as needed for your battery type

-To enable reconnect on Float stage go to Reconn and Press the Right key again and the word FLOAT will appear under Reconn (Float voltage can be configured in the Battery menu).

-Press the Save button to keep the changes on non volatile memory of The Kid.

Refer to the battery manufacturers recommended settings.

Input connected loads:

Select Load Mode

Battery *Input

Clipper Mode:

The INPUT selection will allow the input to be connected to a voltage limiter called a CLIPPER.

This special CLIPPER mode is used in conjunction with wind turbines. The special CLIPPER Diversion load is connected up to the input of the KID when the fuse is moved from the LOAD position to the CLIPPER position.

This fuse is located directly underneath of the LCD display. The CLIPPER diversion load is more than a simple resistor.

The MidNite Solar Clipper Diversion load must be used with wind turbines or overvoltage damage to the KID may result.



The Kid Charge Controller Instructions

Input Menu:

ADJUST MPPT MODE

LOAD <INPUT> AUX

The INPUT MENU is where you turn the KID on and off. There are 10 different selections for how the KID will track your Solar, Wind or Hydro system. Selections are below:

Solar Learn	off/on	The main Solar algorithm
Wind Track*	off/on	Wind mode for known turbines
Micro Hydro*	off/on	Slight variation of tracking specifically for small hydro systems
Wind Learn*	off/on	A learning program that learns over time an unknown turbine
Legacy P&O	off/on	The old tried and true perturb and observe. Not fast, but good
U-SET Voc	off/on	Allows you to pick the PWM percentage of Voc. Good for testing
Solar1 O&P	off/on	The opposite of P&O

* Future feature

Hit the right arrow to advance to the **AUX MAIN MENU**.

SETUP AUX FUNCTION

LOAD <AUX> MISC

The AUX menu is where you set up various auxiliary input and output functions such as the Whizbang Jr. Battery status monitor.

Hit the right arrow key to advance to the **MISC** menu.

OTHER STUFF

AUX <MISC> COMM

The MISC menu allows adjustment for:

LCD Backlight and contrast controls can be adjusted with the up/down buttons

Temp Status of CPU, FET and Battery in degrees C

LED MODE BCM (battery capacity meter) Rick mode (minimal lights) and Off

Timer Shows time accrued.



The Kid Charge Controller Instructions

Hit the right arrow key to advance to the **COMM** menu.

MULTIPLE	UNITS
MISC	<COMM> TECH

The COMM menu is where stacking is set up. Your choices are Bully Mode and Follow Me.

Bully Mode: is true paralleling where the inputs and outputs are paralleled. You are allowed only two KIDS in Bully mode. This is a Master/Slave configuration. The Master bullies the slave into doing what it says. Follow Me is where the outputs are paralleled, but each input has its own PV array. Bully mode only works when two kids are connected.

Follow Me Mode: When any one of the KIDs changes state, Absorb, Time, Float or Equalize it sends a signal downstream to the next one to follow me and also change state. Then the second one sends the same message downstream and so on until it finally comes back around the communications circle and all units are in the new state. There is no limit to how many controllers can be connected in Follow Me mode. Both Follow Me and Bully mode are MidNite Solar exclusive methods of applying multiple controllers.

Hit the right arrow key to advance to the **TECH** menu.

ADVANCED	MENU
COMM	<TECH>

The TECH menu is for tech savvy individuals.

Calibrate the battery voltage offset to read the same as your Fluke meter.

Calibrate the Input voltage offset to read the same as your Fluke meter.

Anti-clicking sensitivity More clicking means it is attempting to squeeze out every last bit of energy.

Upload new firmware. See page 21 for update instructions.

Reset to factory defaults. Setting things back to factory defaults is useful after your brother in law was observed messing with all the buttons and you can't trust what he did. So, reset and start over entering all the settings you know you want.



The Kid Charge Controller Instructions

STATUS BUTTON: There are a few status screens available at the touch of the Status button. The first (left) screen shows:

9.5a	BULKMPPT
12.7V	Solar 257W

The 9.5a as depicted above represents the PV array output current. BULKMPPT shows the state that the charger is in. BULKMPPT means the KID is going all out to put all available energy into the batteries. Other states are:

RESTING This is what happens when the PV array voltage is too low to do any charging. The 12.7V represents battery voltage. The SOLAR shows it is in Solar mode as opposed to Wind or Hydro. The 257W shows the instantaneous wattage going into the battery. push the right arrow key to bring up the second status screen shown below.

INPUT	BATTERY
59.6V	13.5V

This second status screen is showing the PV array voltage and battery voltage. The PV array voltage corresponds to the Max power voltage from the PV array for the present conditions.

Push the right arrow key to bring up the third **status** screen.

0.0a	WBJR
246C	SHUNT








This third status screen is showing.

Note: Some features listed in this manual are not yet functional. Keep your eye on www.midnitesolar.com for updates in KID firmware.



The Kid Charge Controller Instructions

The Kid's L.E.D.s.

RFC 	RFC - Received Full Charge. The battery has received a full charge.
1WK 	1WK - One Week. It has been one week since a full charge.
2WK 	2WK - Two Weeks. It has been two weeks since a full charge.
FLT 	FLT - Float. The battery is in float charge.
OVR 	OVR - Over Voltage. The kid has detected an overvoltage.
ERR 	ERR - Error. The kid has stopped due to an error.
CLP 	CLP - Clipper. The kid is in Clipper Mode.

The Kid has several L.E.D.s to indicate modes and errors.

Not all L.E.D.s are implemented at this time.

Firmware Update

To do a firmware update on the kid you will need the following:

- A laptop or PC with Windows 7 (Windows 7 only at this time)
- A USB Mini-A cable (not included).

Procedure:

- Go to <http://www.midnitesolar.com/firmwareIndex.php> and download the latest firmware file.
- Save the file to a known location on your PC (eg. Desktop \).
- Plug in the USB cable to the Kid connector located on the bottom of the unit.
- Plug the other end into an available USB port on the PC.
- Go to MAIN Menu on the Kid And scroll to the right to the TECH menu and press Enter.
- Press the down arrow key until Firmware Update is selected and press Enter.
- After 5 sec the unit will turn off and display FIRMWARE UPDATE.
- A new empty drive will appear in your PC open it.
- Drag the downloaded file to this empty drive.
- The first green light should start blinking on the Kid and "UPDATING..." should appear on the second line.
- It will take up to 2 minutes to update the kid.
- The unit will reboot with new updated firmware.
- Unplug the USB cable.

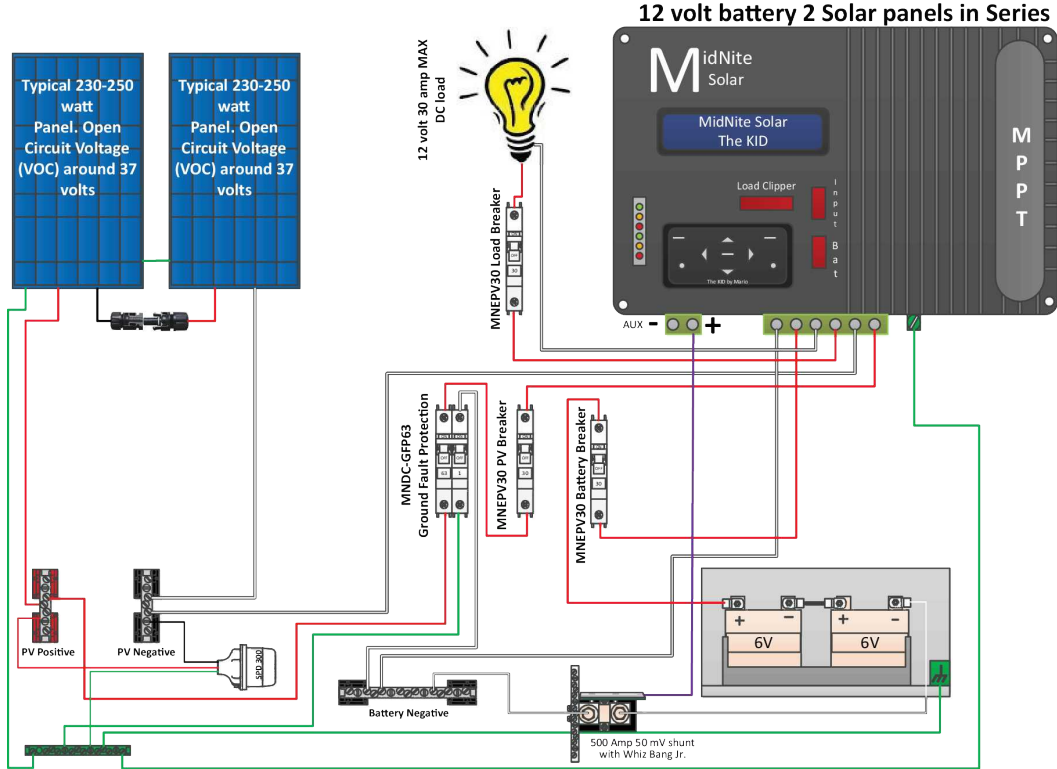


The Kid Charge Controller Instructions

Wiring Diagrams

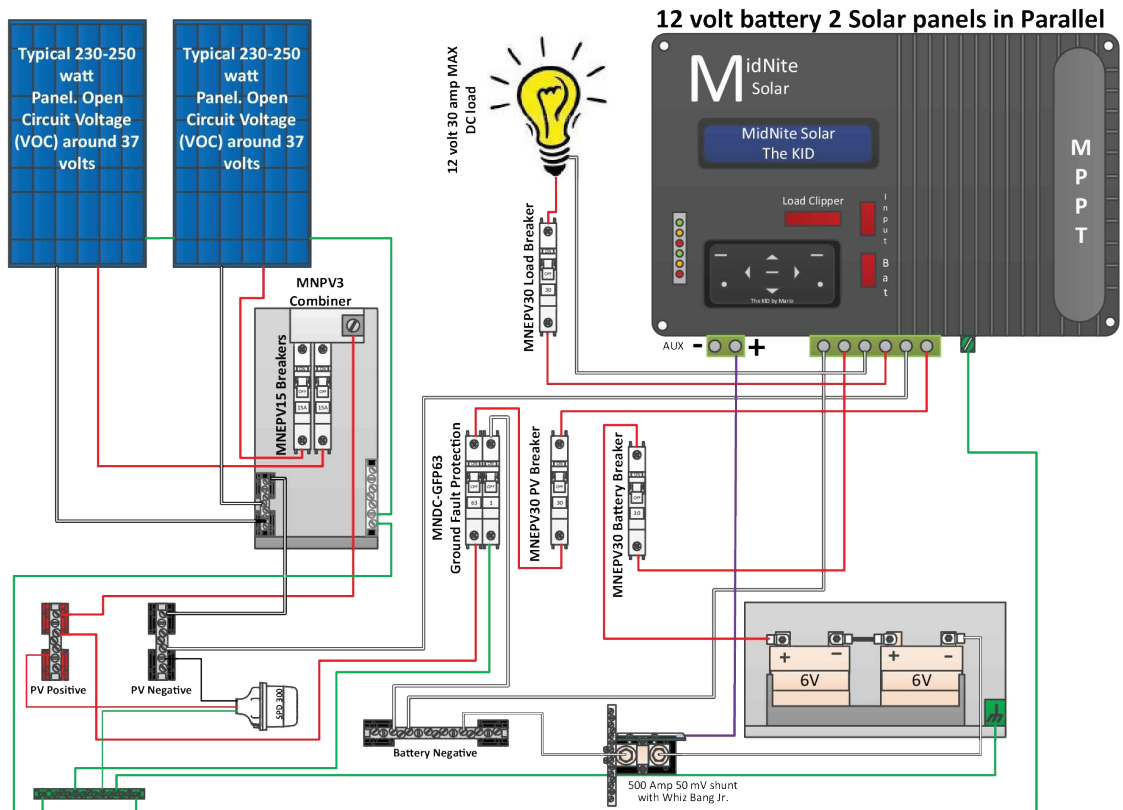
12 Volt System with two solar panels in series

Important!
Both the input and output negative must be connected.
Failure to do so will cause inaccurate current readings and possible damage to the unit.



12 Volt System with two solar panels in parallel

Important!
Both the input and output negative must be connected.
Failure to do so will cause inaccurate current readings and possible damage to the unit.

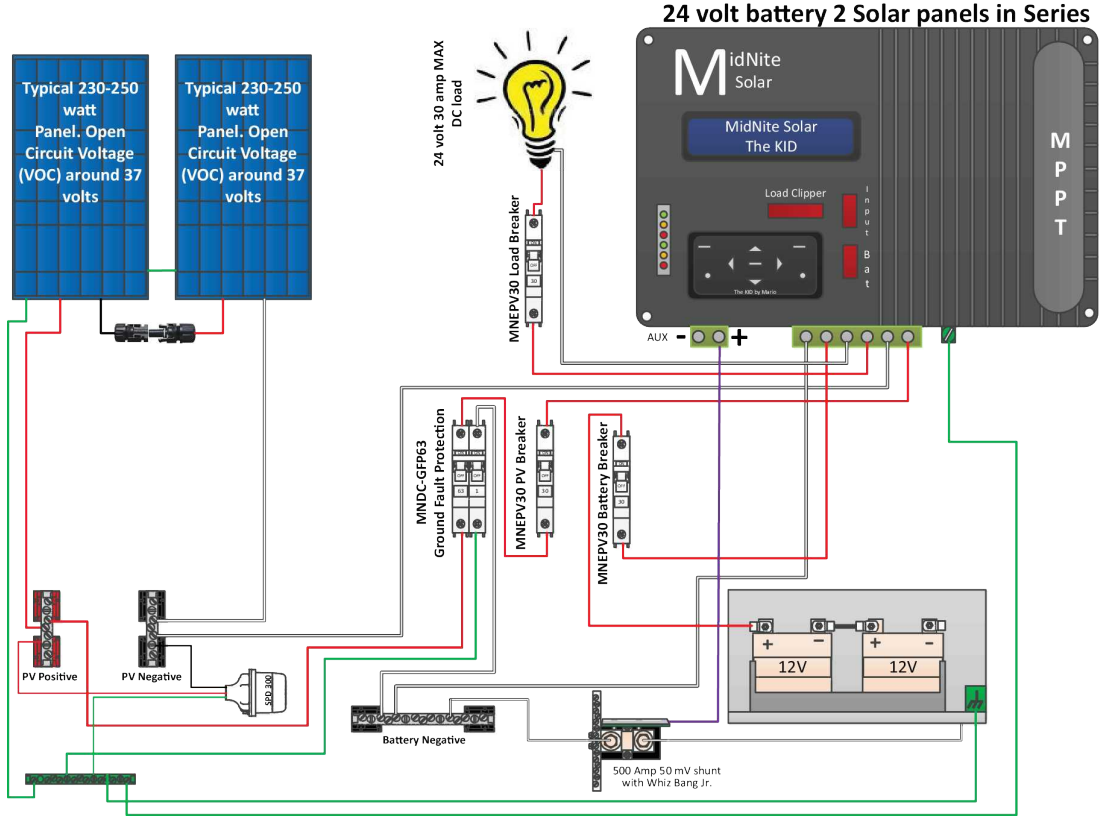




The Kid Charge Controller Instructions

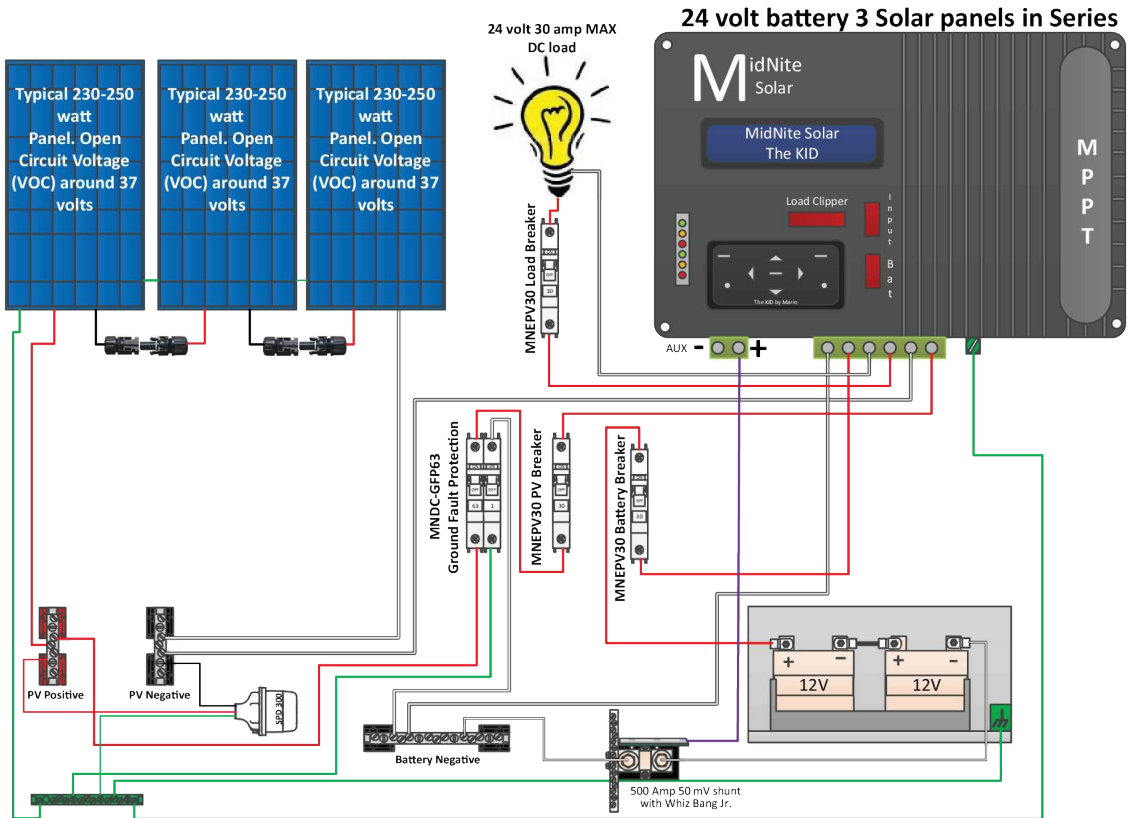
24 Volt System with two solar panels in series

Important!
Both the input and output negative must be connected.
Failure to do so will cause inaccurate current readings and possible damage to the unit.



24 Volt System with three solar panels in Series

Important!
Both the input and output negative must be connected.
Failure to do so will cause inaccurate current readings and possible damage to the unit.

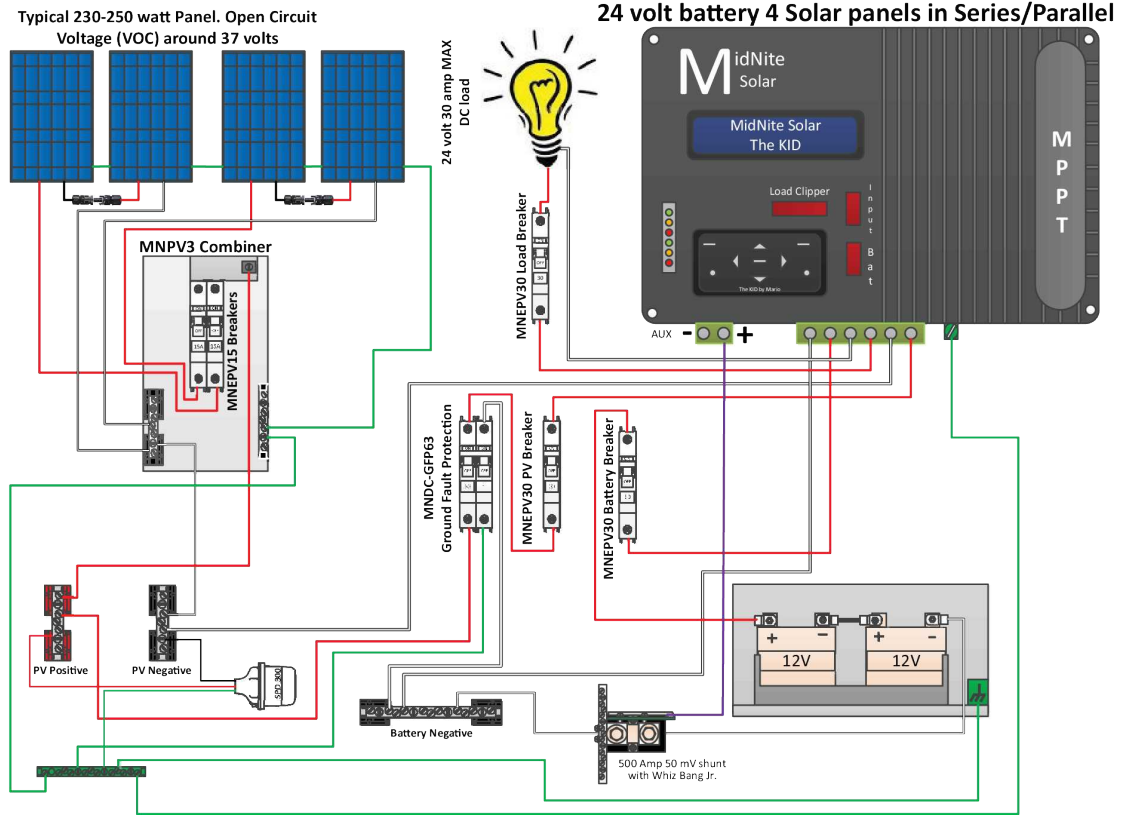




The Kid Charge Controller Instructions

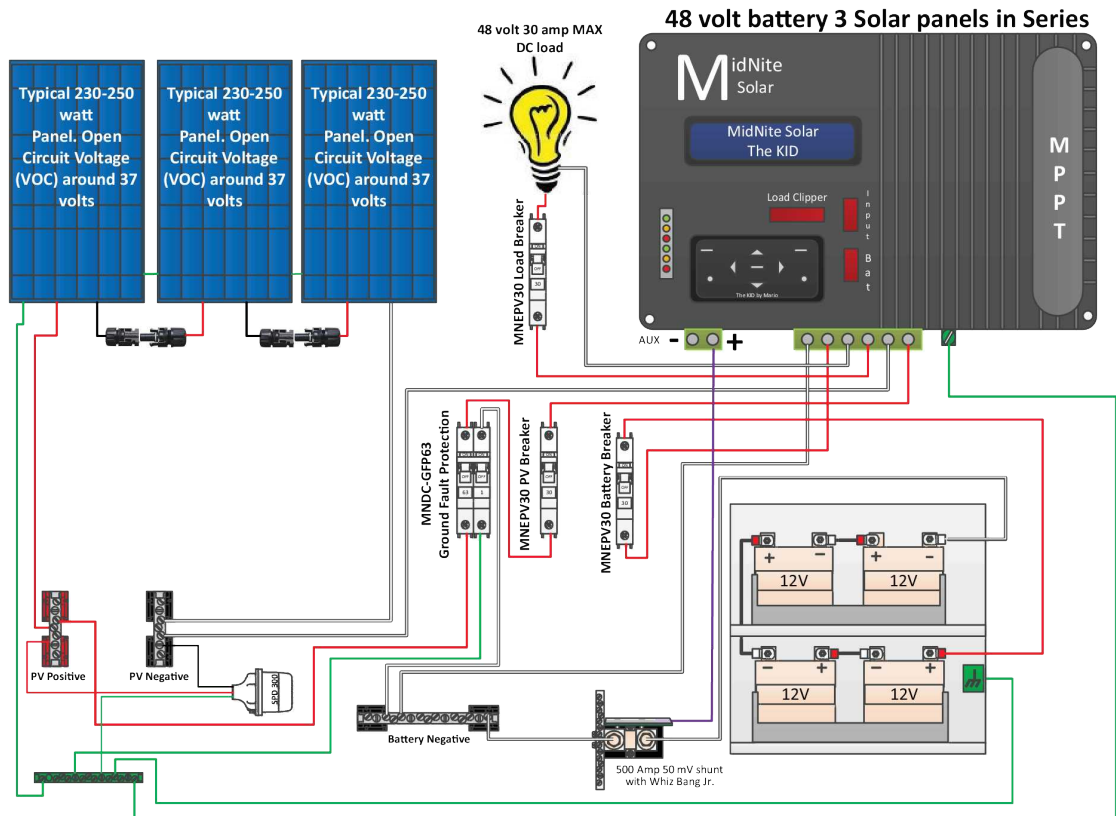
24 Volt System with two strings of two panels

Important!
Both the input and output negative must be connected. Failure to do so will cause inaccurate current readings and possible damage to the unit.



48 Volt System with three solar panels in series

Important!
Both the input and output negative must be connected. Failure to do so will cause inaccurate current readings and possible damage to the unit.

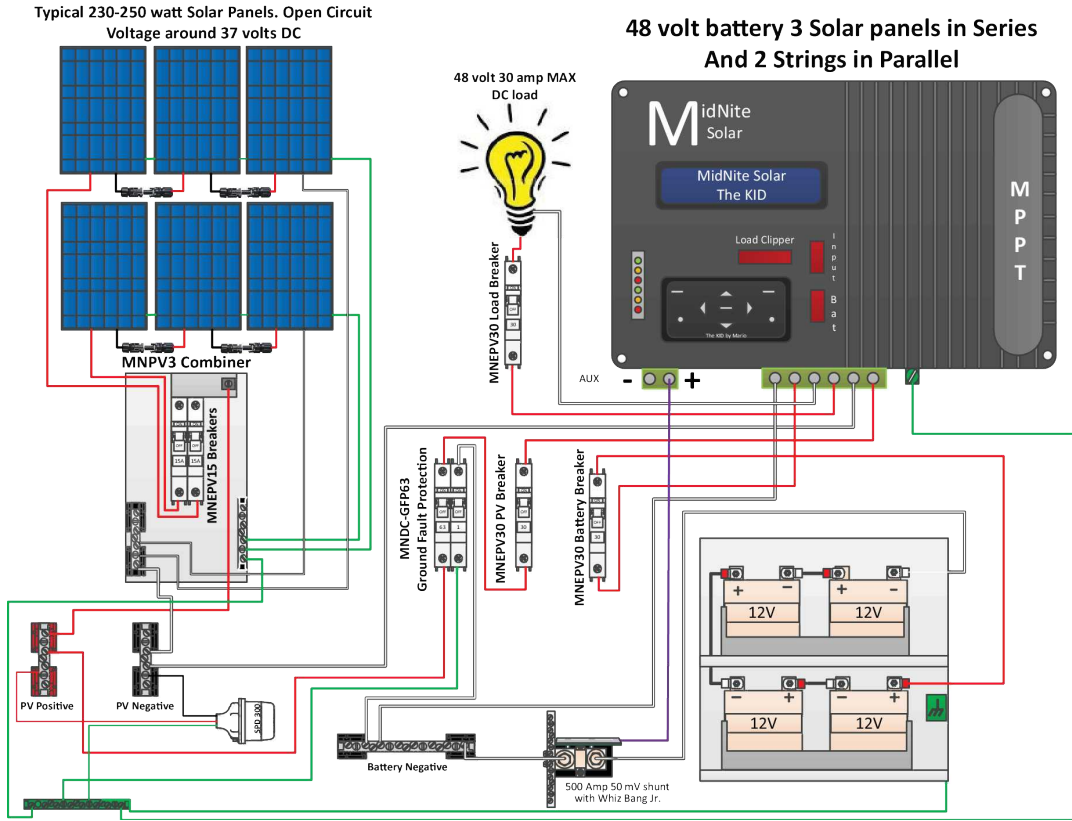




The Kid Charge Controller Instructions

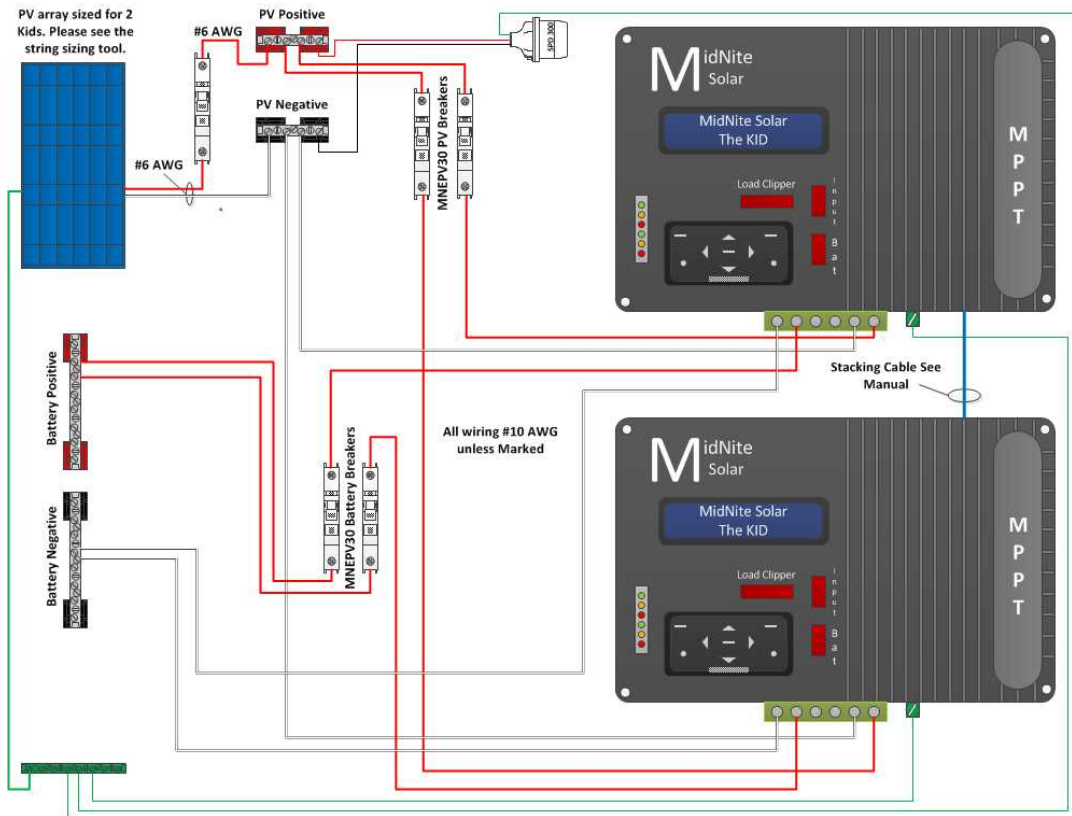
48 Volt System with two strings of three panels

Important!
Both the input and output negative must be connected.
Failure to do so will cause inaccurate current readings and possible damage to the unit.



Two Kids paralleled with stacking cable

Important!
Both the input and output negative must be connected.
Failure to do so will cause inaccurate current readings and possible damage to the unit.



The string sizing tool is at www.midnitesolar.com



The Kid Charge Controller Instructions

HyperVOC

The Kid includes HyperVOC a non-operative VOC safety zone over and above the maximum input voltage



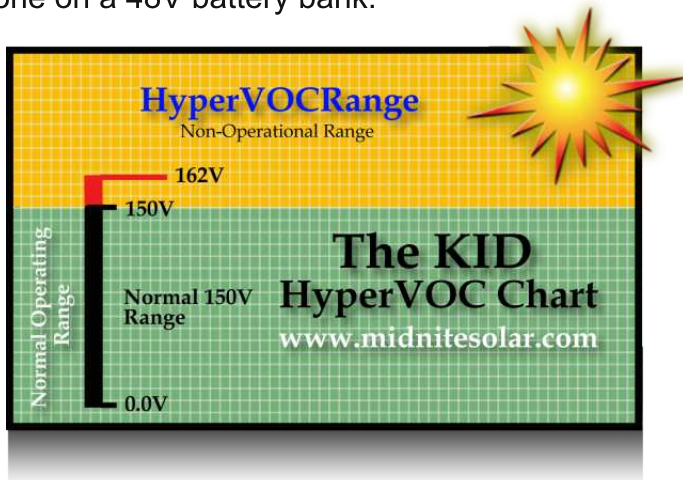
Why do you need HyperVOC?

On cold mornings PV panels will put out full voltage even before you can see the sun. Ambient light may not have much current behind it but it does have voltage that may exceed the operating voltage limit of the controller, resulting in damage to the controller. The fact that there is no power behind the output voltage means that the controller will not be able to turn on and drag the panels down from VOC to max power voltage.

The controller requires a few watts of power coming in from the PV panels to overcome its internal power requirements. While the controller is waiting for enough power to wake up, the PV array is at its highest output voltage. This is very dangerous if the maximum operating voltage of the controller is exceeded.

TheKidSolar controller gives you bonus headroom for those cold mornings that would potentially destroy any other controller. We have advised thousands of customers to play it safe in conditions like our example above. MidNite has a unique characteristic of the circuitry that allows it to go beyond the maximum operating voltage for these conditions, it's called HyperVOC.

Do not abuse the HyperVOC zone though. For example, let's take a Kid configured with 4 modules in series that have 36.9 VOC, $4 \times 36.9 = 147.6$. In Alberta with a -32°C temperature, the max VOC will reach 181.54. This is well within the HyperVOC zone on a 48V battery bank.



Above: HyperVOC voltage limits above normal operating voltage.

Right: Solar Panel VOC adjustments by temperature.

Table 690.7 Voltage Correction Factors for Crystalline and Multicrystalline Silicon Modules

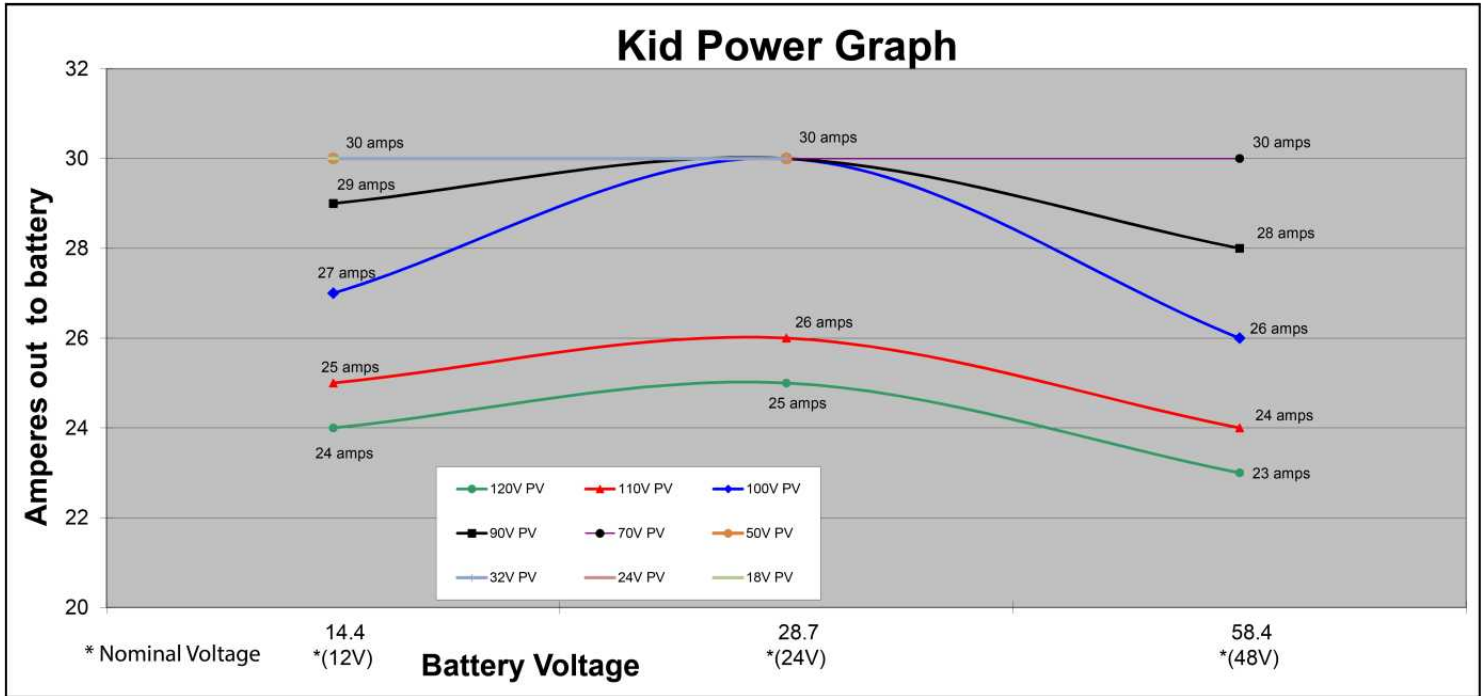
Correction Factors for Ambient Temperatures Below 25°C (77°F). (Multiply the rated open circuit voltage by the appropriate correction factor shown below.)

Ambient Temp ($^{\circ}\text{C}$)	Factor	Ambient Temp ($^{\circ}\text{F}$)
24 to 20	1.02	76 to 68
19 to 15	1.04	67 to 59
14 to 10	1.06	58 to 50
9 to 5	1.08	49 to 41
4 to 0	1.10	40 to 32
-1 to -5	1.12	31 to 23
-6 to -10	1.14	22 to 14
-11 to -15	1.16	13 to 5
-16 to -20	1.18	4 to -4
-21 to -25	1.20	-5 to -13
-26 to -30	1.21	-14 to -22
-31 to -35	1.23	-23 to 31
-36 to -40	1.25	-32 to -40



The Kid Charge Controller Instructions

Kid Power Graph



PV Voltage levels shown are *maximum* values.
 VOC will be 20% higher.

Accessories

Below are optional accessories and accessory kits.



MNKID-BREAKER-30A

30 Amp replacement circuit breaker for The Kid.



The Kid Charge Controller Instructions

Accessories Continued



MNKID-ASSY-KIT-B (Black) or MNKID-ASSY-KIT-W (White) Accessory kit

Kit includes:

Black or white mounting bracket

Flexible conduit

Straight and 90° Conduit fittings

MNBTS Battery temperature sensor

Hardware to attach mounting bracket to The Kid



MNKID-WMB-B (Black) or MNKID-WMB-W (White) Wall Mount kit

Kit includes:

Black wall mounting bracket

Hardware to attach mounting bracket to The Kid.



The Kid Charge Controller Instructions

Accessories Continued



MNHydrometer

Easy to use battery hydrometer for checking the specific gravity on all "Flooded" style batteries.
Size: 5.25"L x 4.25"W x 1.5"D



MNBCM / MNBCMS: Battery Status Monitor

1. LEDs that correspond to battery voltage
2. Voltage accuracy +/- .05%
3. Auto sensing for 12, 24, 36, and 48 volt batteries
4. LED indicators show if batteries have received a full charge recently, longer than one week or longer than two weeks
5. Ideal for "at a glance" readings - golf carts, forklifts, etc.

Description: Battery Capacity Meter

Size 4.5"L x 3.75"W x 1"D

Box Size 5"L x 4"W x 2"D

Weight 1 Lb.

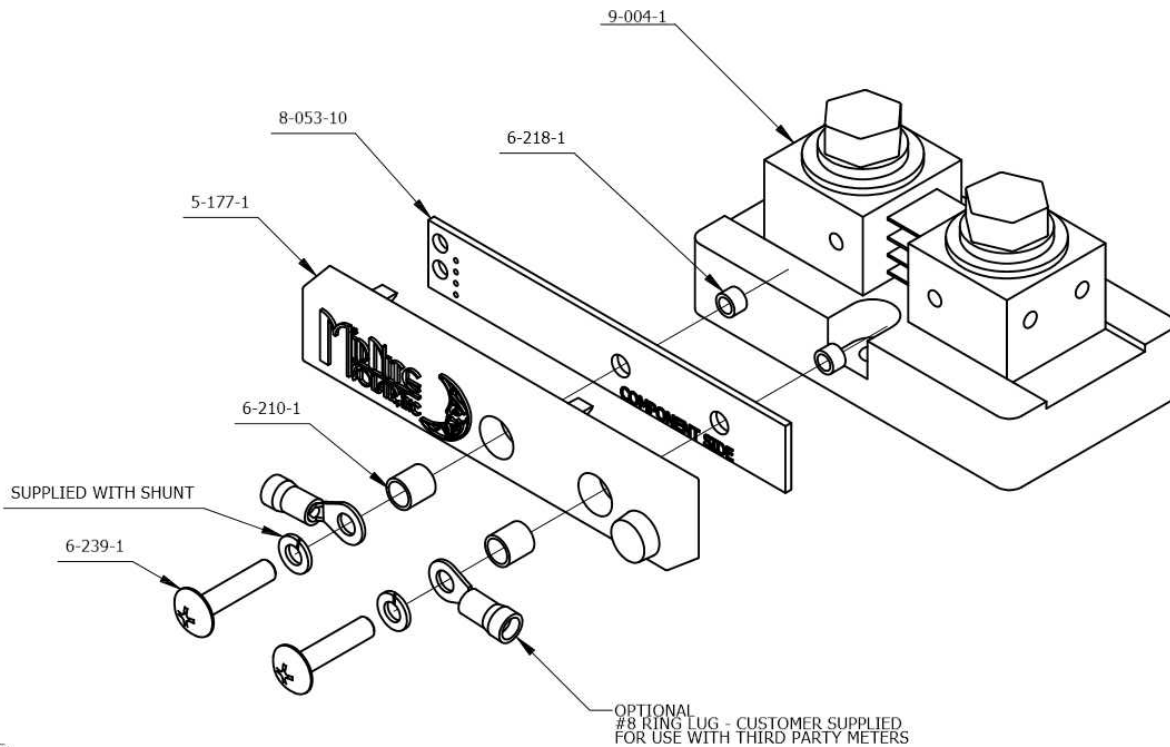
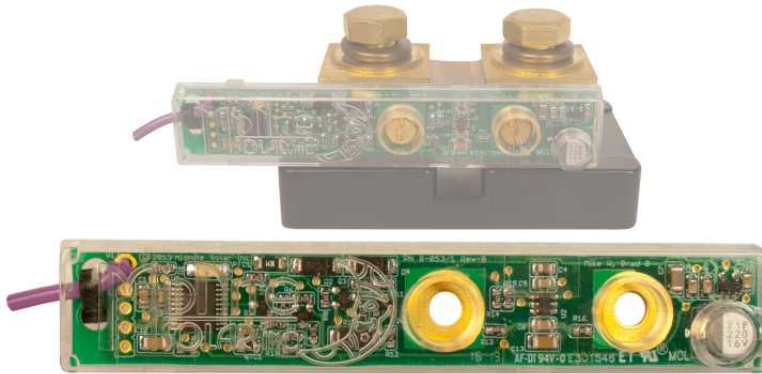


The Kid Charge Controller Instructions

Accessories Continued

Whiz Bang Jr.:

The Whiz Bang Jr. is designed to work with The Kid to give accurate battery status. The Whiz Bang Jr. keeps track of Amp-Hours going into and out of the battery. Simple one-wire installation. Shunt not included.



NOTE:
THE WHIZ BANG JUNIOR CAN BE INSTALLED
UPSIDE DOWN WITHOUT DAMAGE HOWEVER
ALL READINGS WILL SHOW OPPOSITE POLARITY

The Whiz Bang Jr can provide shunt access for co-operative products.



The Kid Charge Controller Instructions

Optional Circuit Breakers and Accessories



Big Baby

The Big Baby is an aluminum powder coated breaker enclosure that holds four DINRail breakers.



Quad

The Quad is an aluminum powder coated breaker enclosure that holds four panel mount breakers.

More circuit breakers and accessories available at www.midnitesolar.com



MNDCGFP-63

63 amp 150VDC din rail mount DC ground fault protector (NRTL listed breaker assy).

NEC2008 requires DC-GFP's on all solar installations



MNEPV Breaker

150VDC din rail mount breaker (13mm wide). MNEPV evaluated by ETL to 150VDC. 150VDC ETL listed in the US and Canada 10,000 AIC.



MNEDC Breaker

DC Panel mount breaker available up to 100 amps.



MNEAC Breaker

120V AC DINrail breaker available in a wide range of Amperages.



The Kid Charge Controller Instructions

Warranty

MidNite Solar Inc. warrants to the original customer that its products shall be free from defects in materials and workmanship. This warranty will be valid for a period of two (2) years.

At its option, MidNite Solar will repair or replace at no charge any MidNite product that proves to be defective within such warranty period. This warranty shall not apply if the MidNite Solar product has been damaged by unreasonable use, accident, negligence, service or modification by anyone other than MidNite Solar, or by any other causes unrelated to materials and workmanship. The original consumer purchaser must retain original purchase receipt for proof of purchase as a condition precedent to warranty coverage. To receive in-warranty service, the defective product must be received no later than two (2) weeks after the end of the warranty period. The product must be accompanied by proof of purchase and Return Authorization (RMA) number issued by MidNite Solar. For an RMA number contact MidNite Solar Inc., 17722 67th Ave NE, Arlington, WA 98223 (360) 403-7207.

Purchasers must prepay all delivery costs or shipping charges to return any defective MidNite Solar product under this warranty policy. Except for the warranty that the products are made in accordance with, the specifications therefore supplied or agreed to by customer:

MIDNITE SOLAR MAKES NO WARRANTY EXPRESSED OR IMPLIED, AND ANY IMPLIED WARRANTY OF MERCHANTABILITY OR FITNESS FOR A PARTICULAR PURPOSE WHICH EXCEEDS THE FOREGOING WARRANTY IS HEREBY DISCLAIMED BY MIDNITE SOLAR AND EXCLUDED FROM ANY AGREEMENT MADE BY ACCEPTANCE OF ANY ORDER PURSUANT TO THIS QUOTATION. MIDNITE SOLAR WILL NOT BE LIABLE FOR ANY CONSEQUENTIAL DAMAGES, LOSS OR EXPENSE ARISING IN CONNECTION WITH THE USE OF OR THE INABILITY TO USE ITS GOODS FOR ANY PURPOSE WHATSOEVER. MIDNITE SOLAR'S MAXIMUM LIABILITY SHALL NOT IN ANY CASE EXCEED THE CONTRACT PRICE FOR THE GOODS CLAIMED TO BE DEFECTIVE OR UNSUITABLE.

Products will be considered accepted by customer unless written notice to the contrary is given to MidNite Solar within ten (10) days of such delivery to customer. MidNite Solar shall not in any case be liable for any event occurring or defect discovered with regard to said product unless written notice thereof is given to MidNite Solar within one hundred eighty (180) days of such product delivery to customer. MIDNITE SOLAR is not responsible for loss or damage to products owned by customer and located on MIDNITE SOLAR'S premises caused by fire or other casualties beyond MIDNITE SOLAR'S control. This warranty is in lieu of all other warranties expressed or implied.

MIDNITE SOLAR INC. 17722 67TH AVE NE ARLINGTON, WA 98223
Email: info@midnitesolar.com
PH: 360-403-7207 FAX: 360-691-6862



The Kid Charge Controller Instructions

MIDNITE SOLAR INC.

THE KID MIDNITE MPPT CHARGE CONTROLLERS



PRODUCT SPECIFICATIONS

Operating Input Voltage	150VDC
Nominal Battery Voltage	12V through 48V
Maximum Output Current	30A
PV Open Circuit Voltage VOC	150VDC + HyperVOC (162VOC)
HyperVOC (See page bottom)	Extended VOC range for cold climates
Charging Regulation	Bulk, Absorb, Float as well as Equalization
Battery Voltage Range	9V TO 64V
Equalization Charging	Adjustable Voltage and Duration, Manual or Auto
Battery Temp Compensation (Standard marine version - optional otherwise)	Automatic when BTS is installed, Adjustable mV per degree C per 2 volt cell
Programmable Auxiliary Control Output	1 - I/O Aux communication or with Wizbang Jr.
Status Display	LCD plus status LED
Networking Cabling	Standard 4 conductor phone cable, no hub needed
Communications	RS232 openly published protocols and USB
Load Terminal	30A configurable as battery load or wind clipper
Solar, Wind And Hydro Applications	Standard
Operating Temperature	Min. of -40C to 50C - Controller will auto derate as temperature rises above 25C
Environmental Rating	Indoor IP64 type 1
Conduit knock Outs	2
Warranty	2 Year
Lighting Controller	Highly customizable via keypad (dusk-dawn, hourly, day, night, etc).
Weight	6 Lbs.
Dimensions	9 1/4"L x 5"H x 3 5/16"W (23.5CM x 12.7CM x 8.4CM)
Shipping Dimensions	12"L x 8"H x 6"W (30.48CM x 20.32CM x 15.24CM)
Options	3ft. network cable, external load, boat mount bracket
Certifications	ETL for US & Canada, CE Certified, FCC Class B
True Paralleling	Inputs and Outputs between 2 units with smart active current sharing
Battery Types	Flooded, AGM, Gel, Calcium SMF, Lithium BMS, Custom

HyperVOC: A non-operative VOC safety zone over and above the maximum input voltage for cold climates.

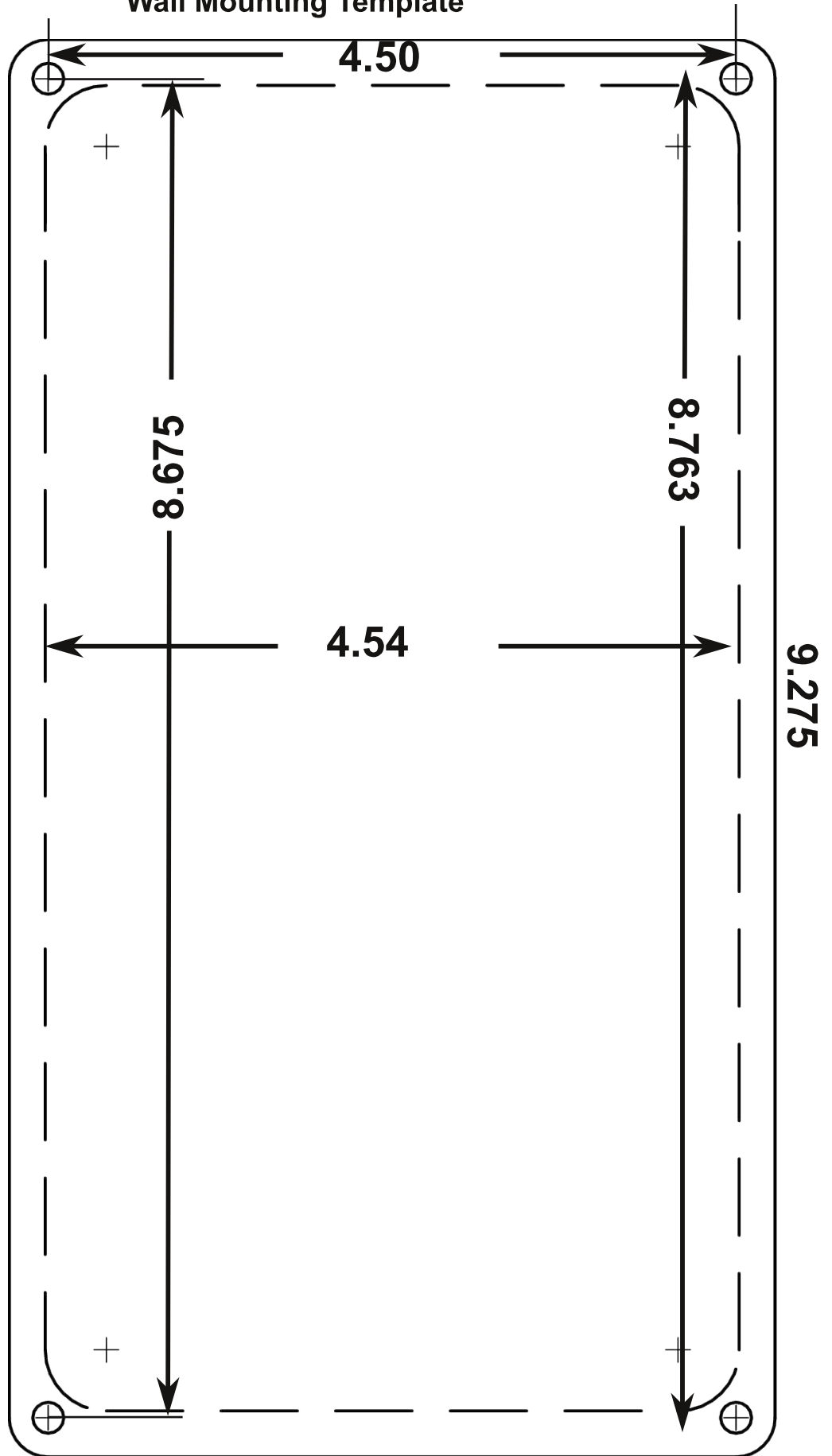
www.midnitesolar.com
17722 67th Ave. NE., Arlington, WA. 360-403-7207 FAX: 360-691-6862





The Kid Charge Controller Instructions

Wall Mounting Template



To use this template:

- Remove template from the manual and secure to the wall with a low tack tape such as scotch or masking tape.
- Other tapes are more likely to stick to the paint when they are removed. Remove all tape within 24 hours.
- Make sure that the template is flat and not crooked.
- Use a large drill inside the cut-out area to create an entry point for the saw. Use a drywall or jig saw and cut along the dotted lines using caution especially around the corners.
- Drill the four corner holes with the smallest drill that will work with your hardware. Use caution to avoid breaking through to the large cut-out area.
- Put The Kid in place and secure with appropriate hardware.
- Photocopies of the template may not be accurate and should be avoided.