

TAMARACK GROUND MOUNT KITS

Save Time and Money

Low-cost, rail-based Ground Mount Kits provides for an easy installation, simple wire management, great strength and economical shipping!

- ✓ Heavy-duty 3.1 Mill-finish aluminum rails
- ✓ Rated for up to 170 MPH wind speed and 140 PSF of snow load
- ✓ Kits are available for 3 or 4 modules per column
- ✓ Combine multiple kits to create an array up to 100 ft long
- ✓ Kit includes everything needed *except*:
 - Concrete / Ground Screws
 - 2-IN or 3-IN Schedule-40 Pipe
 - Swivel Tees for cross-bracing, if needed
- ✓ UPS-Shippable!

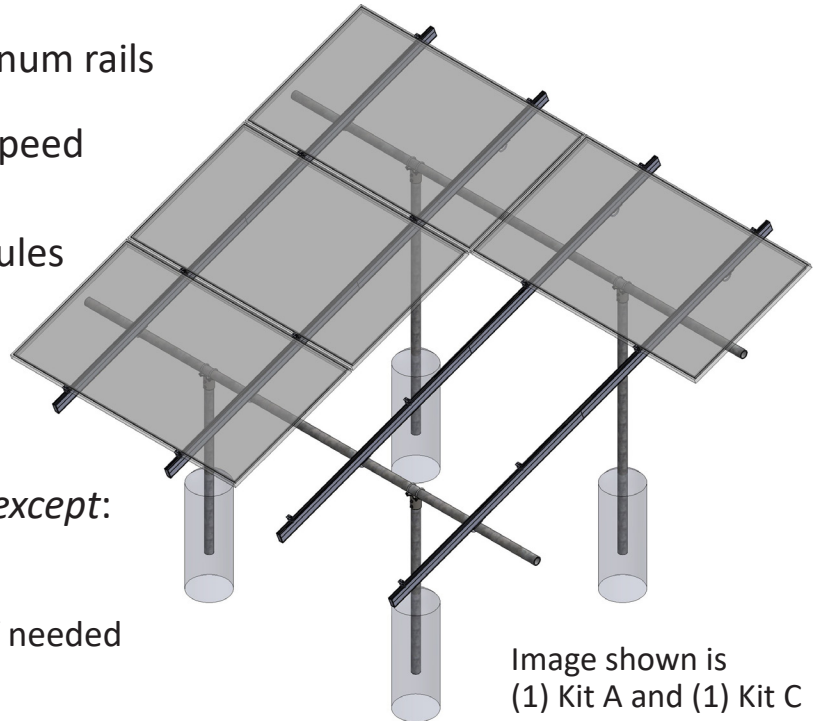


Image shown is
(1) Kit A and (1) Kit C

- **UL 2703 Listed** - All components meet the UL standards and have a Class A Fire Rating for Type 1 and 2 modules
- **Best Wire Management** - PV cables and wiring for module-level electronics fits inside rails to avoid time consuming wire management
- **PE Certified** - Pre-stamped engineering letters available for all 50 states and Washington DC

Mount modules with frame thickness between 30mm and 40mm. Deeper module frames (up to 46mm) can be used by adding 5050+ Mounting Clamps (sold separately).

Maximum module width: 45 INCHES

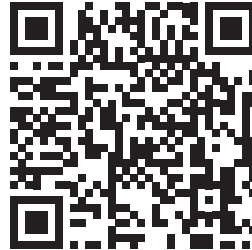
Sites with a ground slope greater than 15° may require additional engineering certification.

Some situations require cross bracing - use our Ground Mount Configurator Tool (QR code on next page) or give us a call for more information.

Tamarack Ground Mount Kits

Sizing a Ground Mount system involves many factors. We make assessing what you need easy.

Use the QR code below to design a ground mount system able to withstand your local wind and snow loads.



Or go to [Tamarack Solar - Ground Mount Configurator](#)

GROUND MOUNT KITS	ITEM CODE	
3 Modules Per Column	For 2-IN Pipe	For 3-IN Pipe
GM KIT A - 3 Modules & 4 Posts - (4) 70-IN rails & (2) Splices make (2) 140-IN Rails plus (4) Pipe Caps, (4) Pipe Mounts, (8) 5050 Clamps, (4) End Caps, (8) Wire Clips, (1) Ground Lug	91450-A	91542-A
GM KIT B - 3 Modules & 2 Posts - (4) 70-IN rails & (2) Splices make (2) 140-IN Rails plus (2) Pipe Caps, (4) Pipe Mounts, (8) 5050 Clamps, (4) End Caps, (8) Wire Clips, (1) Ground Lug	91467-A	91559-A
GM KIT C - 3 Modules & 0 Posts - (4) 70-IN rails & (2) Splices make (2) 140-IN Rails plus (4) Pipe Mounts, (8) 5050 Clamps, (4) End Caps, (8) Wire Clips, (1) Ground Lug	91474-A	91566-A
GM KIT X - Extra Rail for 3 Module Kits - (2) 70-IN rails & (1) Splice makes (1) 140-IN Rail plus (2) Pipe Mounts, (4) 5050 Clamps, (2) End Caps, (4) Wire Clips	91528-A	91573-A
4 Modules Per Column	For 2-IN Pipe	For 3-IN Pipe
GM KIT A - For 4 Modules & 4 Posts - (4) 93-IN rails & (2) Splices make (2) 186-IN Rails plus (4) Pipe Caps, (4) Pipe Mounts, (10) 5050 Clamps, (4) End Caps, (8) Wire Clips, (1) Ground Lug	90798-A	91580-A
GM KIT B - For 4 Modules & 2 Posts - (4) 93-IN rails & (2) Splices make (2) 186-IN Rails plus (2) Pipe Caps, (4) Pipe Mounts, (10) 5050 Clamps, (4) End Caps, (8) Wire Clips, (1) Ground Lug	90804-A	91597-A
GM KIT C - For 4 Modules & 0 Posts - (4) 93-IN rails & (2) Splices make (2) 186-IN Rails plus (4) Pipe Mounts, (10) 5050 Clamps, (4) End Caps, (8) Wire Clips, (1) Ground Lug	90835-A	91603-A
GM KIT X - Extra Rail for 4 Module Kits - (2) 93-IN rails & (1) Splice makes (1) 186-IN Rail plus (2) Pipe Mounts, (5) 5050 Clamps, (2) End Caps, (4) Wire Clips	91535-A	91610-A
ADDITIONAL HARDWARE (order separately, when required)	ITEM CODE	
	For 2-IN Pipe	For 3-IN Pipe
Cross Brace Swivel Tee - Tee Fitting for cross bracing. Use (1) for each vertical post, when bracing is required.	90699	91245 (Box of 2)
5050+ Clamps - For modules between 35mm and 46mm	89907 (12 Pack)	
MLPE Adapter - For mounting micro-inverters and optimizers to the rails	88481 (12 Pack)	
Ground Screws (Set Bolts are included)	Must ship LTL freight	
Ground Screw - 1400mm x 76mm	91009-B	
Ground Screw - 1600mm x 76mm	91016-B	
Ground Screw - 2000mm x 76mm	91023-B	