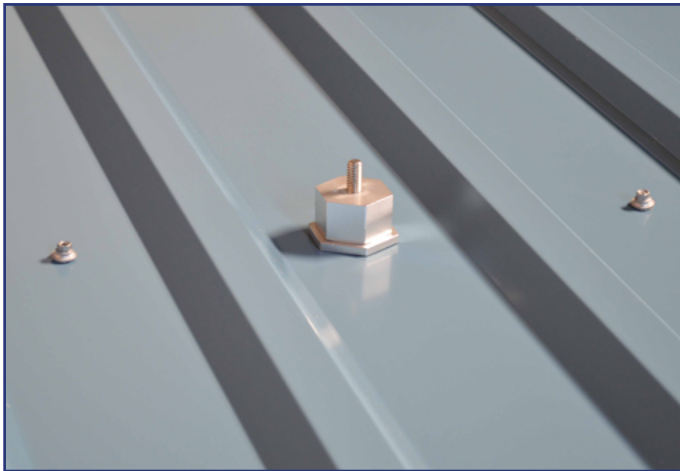
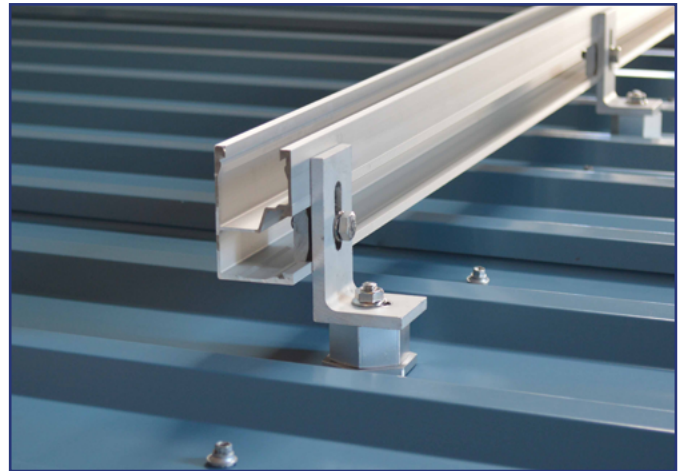


Series 100 Metal Roof Base

The Metal Roof Base (MRB) provides a robust, self-sealing mounting base for common corrugated metal roof profiles with a flat mounting surface. The base seals to the roof with an integral EPDM Rubber Washer and a sealing top cap. The completed assembly has a 5/16" stud compatible with existing SnapNrack accessories. The MRB can't be beat for ease of installation and reliability over the service life of the system.



242-02036



242-02037

Features Include



Single Tool
Installation



Preassembled
hardware

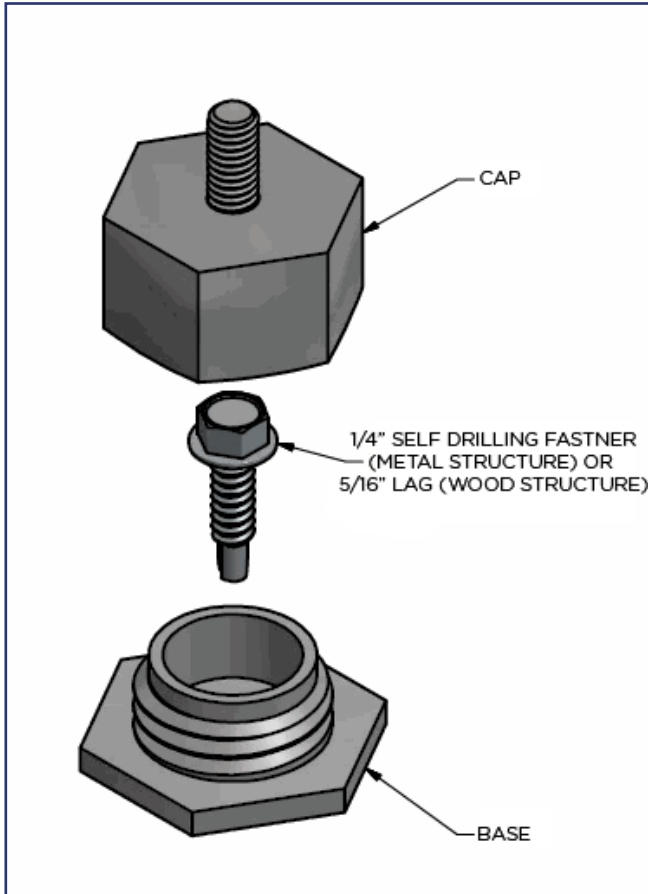


Integrated bonding

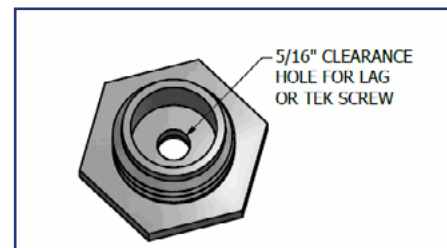
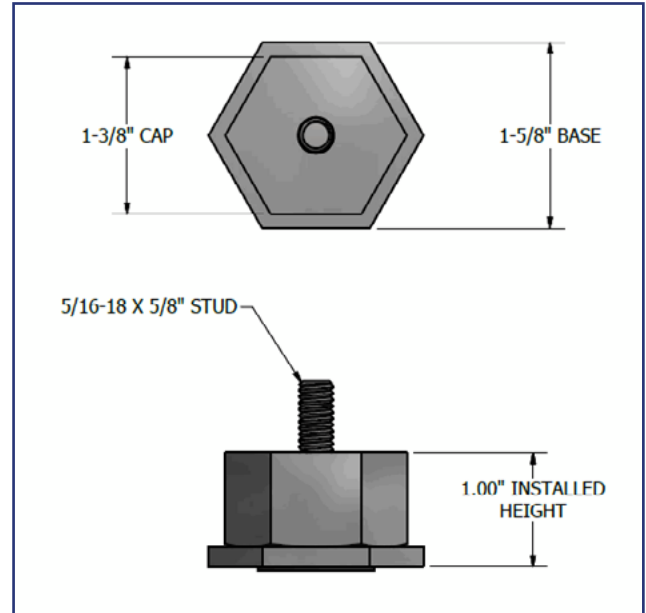



UL 2703 Certified

Metal Roof Base Assembly



Metal Roof Base Dimensions



 Self-Drilling screw or lag is not provided with assembly

METAL ROOF BASE TECHNICAL DATA

Materials	• 6000 Series aluminum
	• EPDM rubber seals
	• Stainless steel stud
Material Finish	Silver anodization
Design Uplift Load	340 lb
Torque Specification	Flange nut: 10-16 ft lbs