

## Series 100 Array Edge Screen

SnapNrack Series 100 Array Edge Screen is an innovative way to guard against critters and debris build up under new and existing solar arrays without damaging arrays or reducing production. The array edge screen installation is a tool-less process with an open wire frame that allows for air flow, ensuring modules remain cool. The screen is composed of a PVC-coated galvanized steel 1/2" mesh and the clip is powder coated, galvanized spring steel.



### Features Include



Snap in  
Hardware

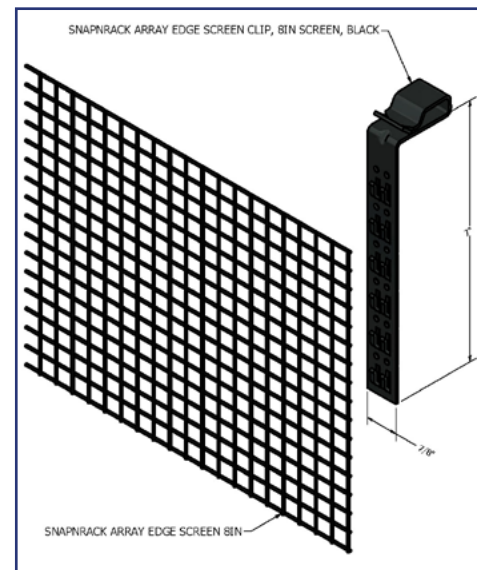
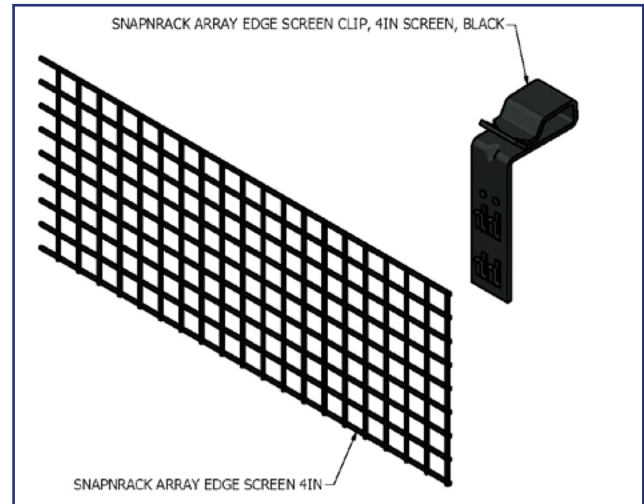
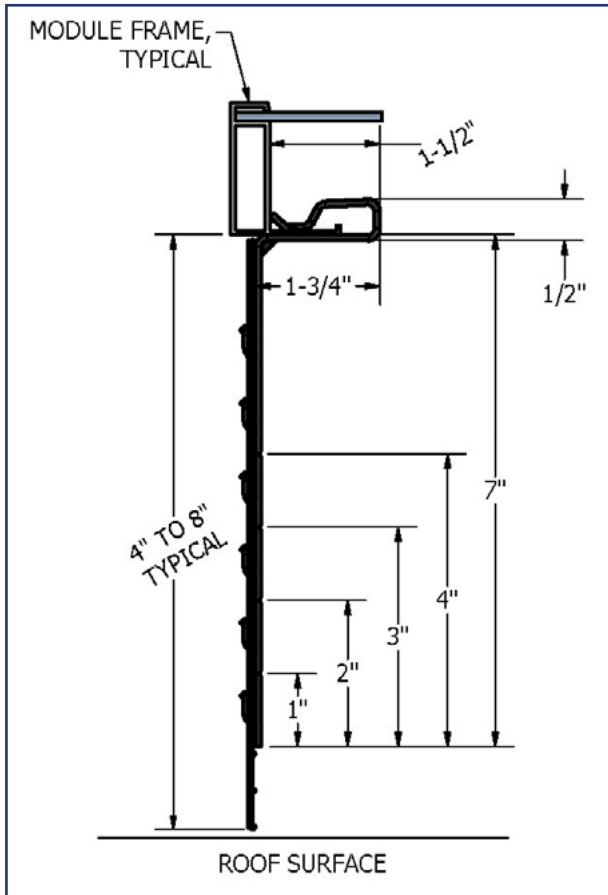


Tool-less  
Installation

## Array Edge Screen Clip Dimensions      Array Edge Screen Dimensions

232-03993 | 232-03994

015-11176



### ARRAY EDGE SCREEN TECHNICAL DATA

#### Materials

- Screen - PVC-coated
- Clip - Powder coated

#### Material Finish

- Screen - Galvanized steel 1/2" mesh
- Clip - Galvanized spring steel