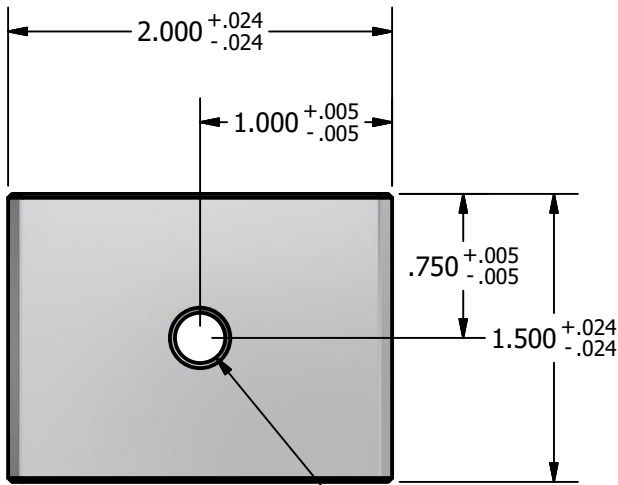


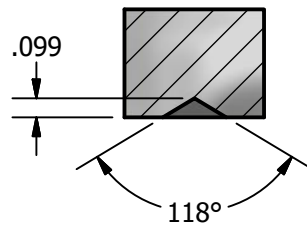
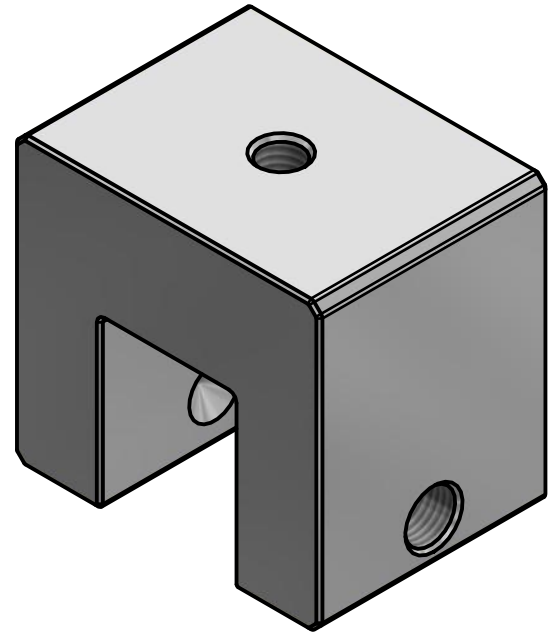
*** UNIRAC PRODUCT CUT SHEET - 004130M ***

| | |
|---------|----------------------------------|
| REV-001 | APPROVED FOR PRODUCTION 10/29/16 |
| | |
| | |
| | |

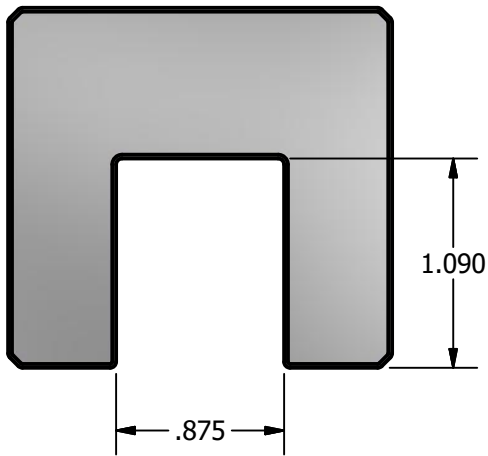


TOP VIEW

M8x1.25 - 6H ∇ .625
 \checkmark ϕ .315 X 82°

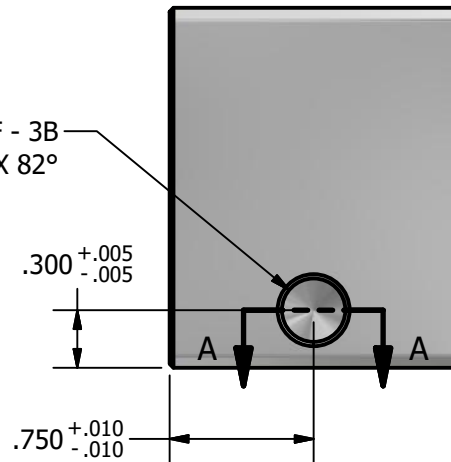


SECTION A-A



FRONT VIEW

3/8-24 UNF - 3B
 \checkmark ϕ .375 X 82°



RIGHT VIEW

NOTES:

1. FOR CLARITY THIS DRAWING IS NOT TO SCALE.
2. CONTACT THE MANUFACTURER FOR RECOMMENDED LAYOUTS, SPACING AND ADDITIONAL DETAILS.
3. INSTALLATION MUST BE COMPLETED WITH THE MANUFACTURERS WRITTEN SPECIFICATIONS AND INSTALLATION INSTRUCTIONS.
4. THESE DRAWINGS ARE SUBJECT TO CHANGE WITHOUT NOTICE.



1411 BROADWAY BLVD. NE - ALBUQUERQUE, NM 87102
 PHONE: 505.242.6411 WEBSITE: UNIRAC.COM

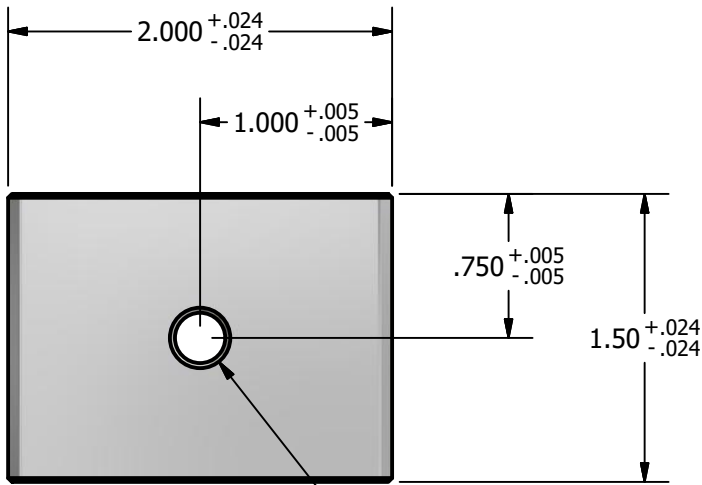
STANDING SEAM CLAMP, MINI 1SS

| | |
|-----------|---------------|
| DRAWN BY: | rhoeffleur |
| DATE: | 10/28/2016 |
| SCALE: | N.T.S. |
| MATERIAL: | Aluminum 6061 |

THE INFORMATION HEREIN IS CONFIDENTIAL AND PROPRIETARY AND IS NOT TO BE DISCLOSED OR DELIVERED TO THIRD PARTIES WITHOUT THE PRIOR WRITTEN CONSENT OF UNIRAC

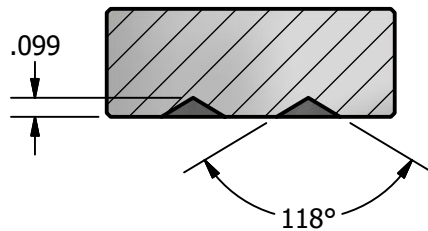
*** UNIRAC PRODUCT CUT SHEET - 004131M ***

| | |
|---------|----------------------------------|
| REV-001 | APPROVED FOR PRODUCTION 10/29/16 |
| | |
| | |
| | |

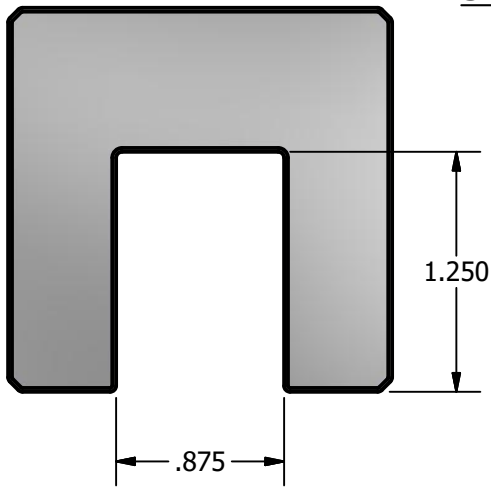


TOP VIEW

M8x1.25 - 6H ∇ .625
 \surd \varnothing .315 X 82°

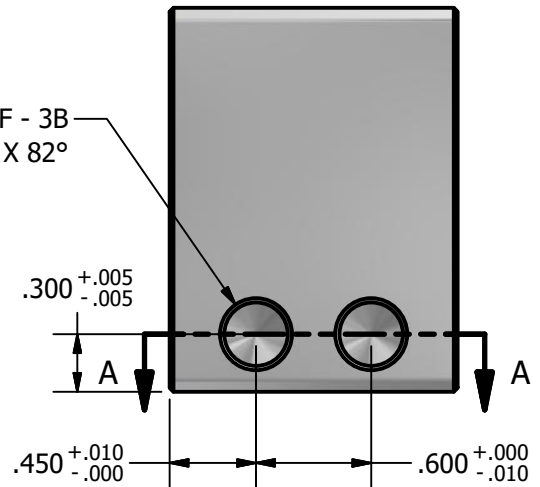


SECTION A-A



FRONT VIEW

3/8-24 UNF - 3B
 \surd \varnothing .375 X 82°



RIGHT VIEW

NOTES:

1. FOR CLARITY THIS DRAWING IS NOT TO SCALE.
2. CONTACT THE MANUFACTURER FOR RECOMMENDED LAYOUTS, SPACING AND ADDITIONAL DETAILS.
3. INSTALLATION MUST BE COMPLETED WITH THE MANUFACTURERS WRITTEN SPECIFICATIONS AND INSTALLATION INSTRUCTIONS.
4. THESE DRAWINGS ARE SUBJECT TO CHANGE WITHOUT NOTICE.



1411 BROADWAY BLVD. NE - ALBUQUERQUE, NM 87102
 PHONE: 505.242.6411 WEBSITE: UNIRAC.COM

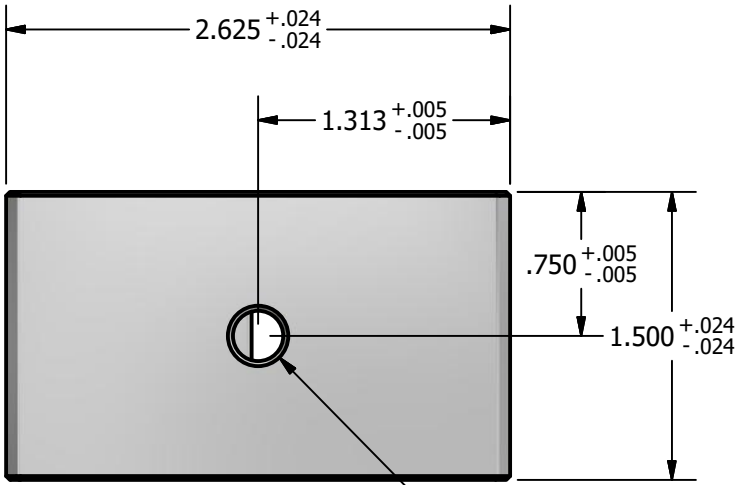
STANDING SEAM CLAMP, STND 2SS

| | |
|-----------|---------------|
| DRAWN BY: | rhoeffleur |
| DATE: | 10/28/2016 |
| SCALE: | N.T.S. |
| MATERIAL: | Aluminum 6061 |

THE INFORMATION HEREIN IS CONFIDENTIAL AND PROPRIETARY AND IS NOT TO BE DISCLOSED OR DELIVERED TO THIRD PARTIES WITHOUT THE PRIOR WRITTEN CONSENT OF UNIRAC

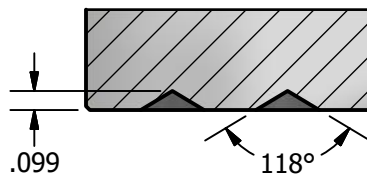
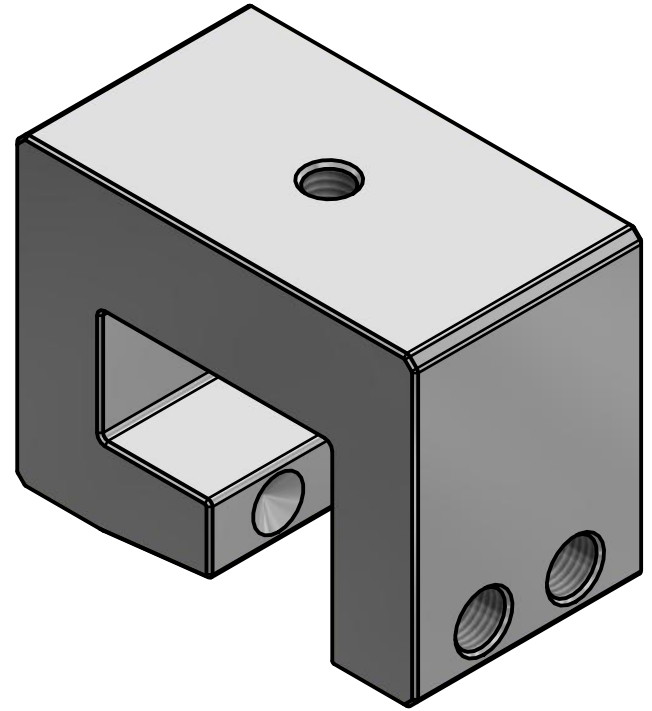
*** UNIRAC PRODUCT CUT SHEET - 004132M ***

| | |
|---------|----------------------------------|
| REV-001 | APPROVED FOR PRODUCTION 10/29/16 |
| | |
| | |
| | |

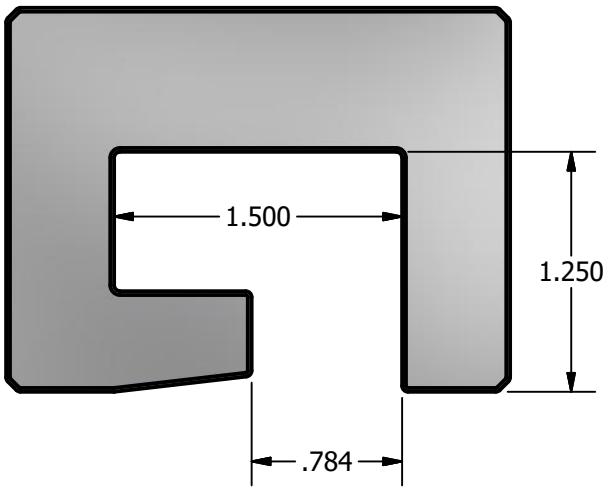


TOP VIEW

M8x1.25 - 6H ∇ .625
 \surd ϕ .315 X 82°

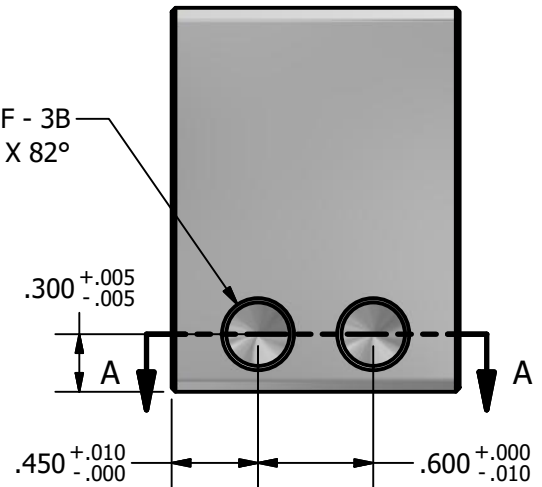


SECTION A-A



FRONT VIEW

3/8-24 UNF - 3B
 \surd ϕ .375 X 82°



RIGHT VIEW

NOTES:

1. FOR CLARITY THIS DRAWING IS NOT TO SCALE.
2. CONTACT THE MANUFACTURER FOR RECOMMENDED LAYOUTS, SPACING AND ADDITIONAL DETAILS.
3. INSTALLATION MUST BE COMPLETED WITH THE MANUFACTURERS WRITTEN SPECIFICATIONS AND INSTALLATION INSTRUCTIONS.
4. THESE DRAWINGS ARE SUBJECT TO CHANGE WITHOUT NOTICE.



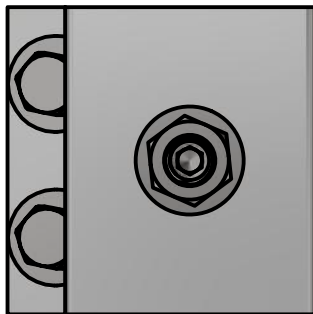
1411 BROADWAY BLVD. NE - ALBUQUERQUE, NM 87102
 PHONE: 505.242.6411 WEBSITE: UNIRAC.COM

STANDING SEAM CLAMP, WIDE 2SS

| | |
|-----------|---------------|
| DRAWN BY: | rhoeffleur |
| DATE: | 10/28/2016 |
| SCALE: | N.T.S. |
| MATERIAL: | Aluminum 6061 |

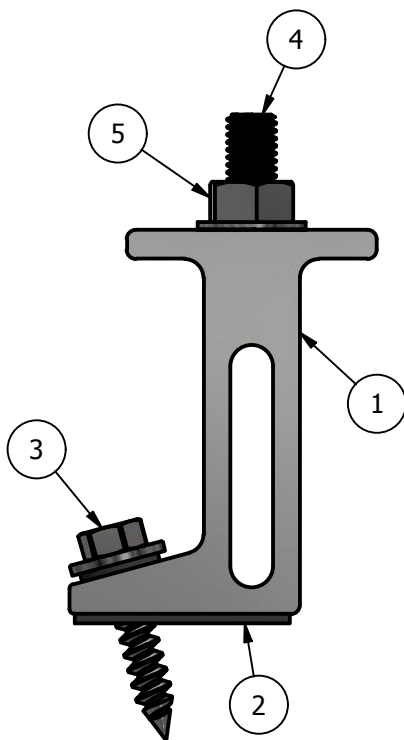
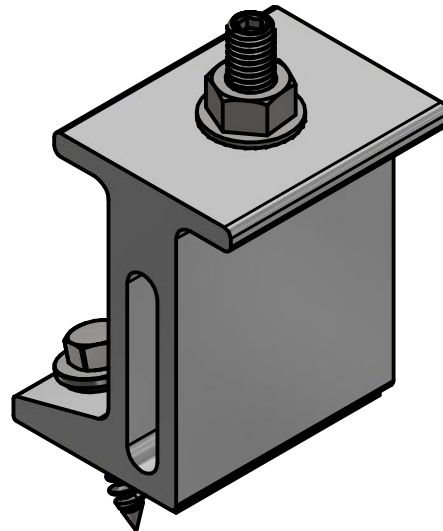
THE INFORMATION HEREIN IS CONFIDENTIAL AND PROPRIETARY AND IS NOT TO BE DISCLOSED OR DELIVERED TO THIRD PARTIES WITHOUT THE PRIOR WRITTEN CONSENT OF UNIRAC

*** UNIRAC PRODUCT CUT SHEET - 004257M ***

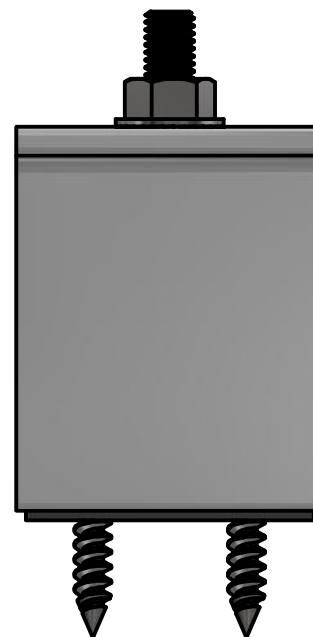


TOP VIEW

| PARTS LIST | | |
|------------|-----|-------------------------------------|
| ITEM | QTY | PART NUMBER |
| 1 | 1 | POWERMOUNT-9000 - SP |
| 2 | 1 | EPDM GASKET-1.400 x 1.875 |
| 3 | 2 | FASTENER 14x1-1/8 SS CAP W/ WASHER |
| 4 | 1 | FASTENER M8 x 1.25 x 35MM ROD |
| 5 | 1 | 8mm x 1.25 SERRATED FLANGED HEX NUT |



FRONT VIEW



RIGHT VIEW

NOTES:

- FOR CLARITY THIS DRAWING IS NOT TO SCALE.
- CONTACT THE MANUFACTURER FOR RECOMMENDED LAYOUTS, SPACING AND ADDITIONAL DETAILS.
- INSTALLATION MUST BE COMPLETED WITH THE MANUFACTURERS WRITTEN SPECIFICATIONS AND INSTALLATION INSTRUCTIONS.
- THESE DRAWINGS ARE SUBJECT TO CHANGE WITHOUT NOTICE.



1411 BROADWAY BLVD. NE - ALBUQUERQUE, NM 87102
 PHONE: 505.242.6411 WEBSITE: UNIRAC.COM

R-PANEL METAL ROOF MOUNT, 9000-S

| | |
|-----------|------------|
| DRAWN BY: | rhoeffleur |
| DATE: | 4/22/2018 |
| SCALE: | N.T.S. |
| MATERIAL: | |

THE INFORMATION HEREIN IS CONFIDENTIAL AND PROPRIETARY AND IS NOT TO BE DISCLOSED OR DELIVERED TO THIRD PARTIES WITHOUT THE PRIOR WRITTEN CONSENT OF UNIRAC