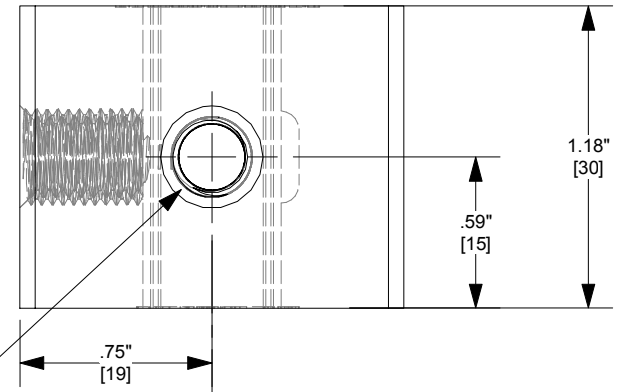
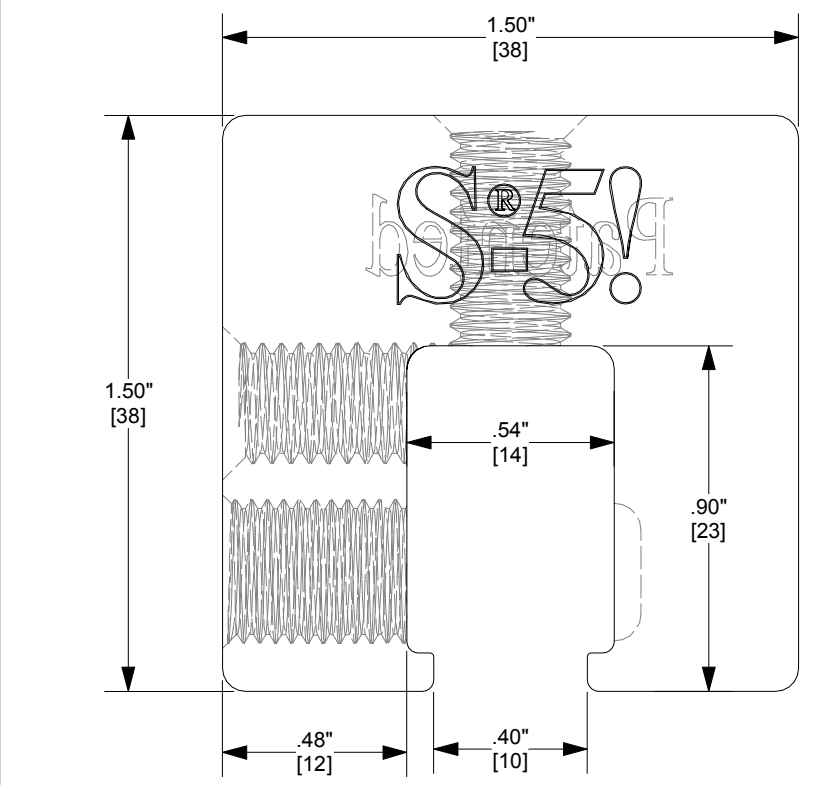


# S-5-U Mini

TOP

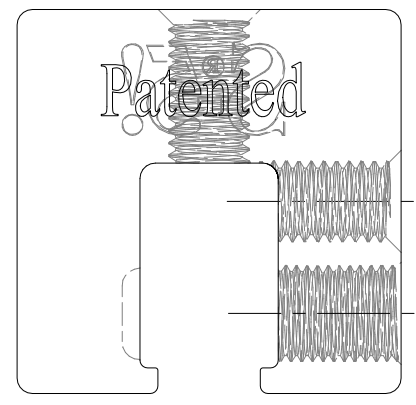


M8-1.25 THREADED HOLE

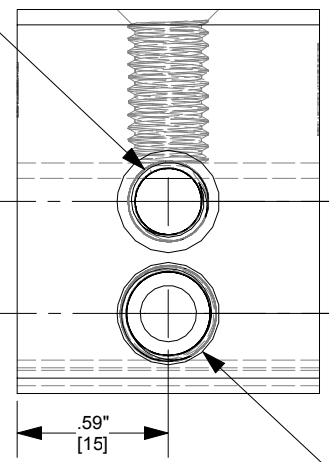


SCALE: 2X

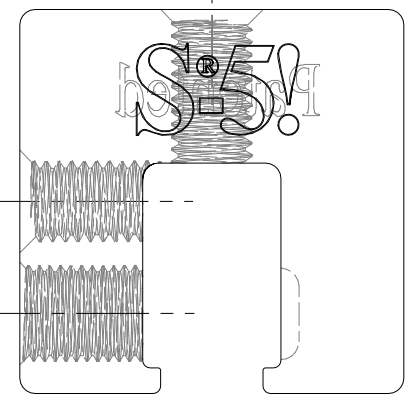
M8-1.25 THREADED HOLE



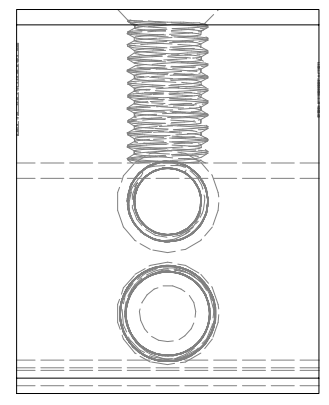
BACK



LEFT



FRONT

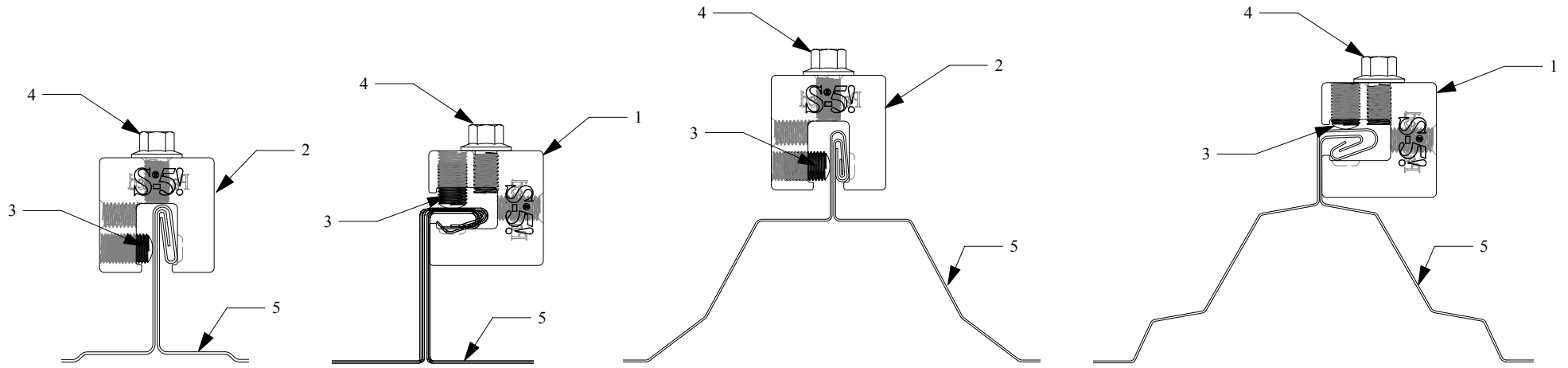


RIGHT

3/8-24 THREADED HOLE

**Notes**

1. S-5-U MINI (HORIZONTAL)
2. S-5-U MINI (VERTICAL)
3. 3/8-24 X .8" ROUND POINT SETSCREW
4. M8-1.25 X 16MM HEX FLANGE BOLT
5. EXAMLE PROFILE



**FOR STANDING SEAM SPECIFIC MECHANICAL LOAD TEST INFORMATION AND CLAMP INSTALLATION INFORMATION PLEASE VISIT: WWW.S-5.COM**

MATERIAL:	<b>6061 T6</b>
EST ASSEMBLY WEIGHT :	<b>0.25 LBS</b>
SUPPLIED HARDWARE:	M8-1.25 X 16MM (13MM HEX) 18/8 SS 3/8-24 X .5" 18/8 SS
SCALE:	<b>1:0.75</b>
OTHER:	



METAL ROOF INNOVATIONS, LTD.  
8655 TABLE BUTTE RD  
COLORADO SPRINGS, CO 80908  
719-495-0518  
719-495-0045 (FAX)

TITLE				S-5-U MINI	
DRAWING NO.	U11-B-1-A CCD	DRAWN BY	DMMH	DATE	05/15/2012
S-5!® PRODUCTS ARE PROTECTED BY MULTIPLE U.S. PATENTS INCLUDING 5,228,248, 5,983,588 AND 6,164,033 (OTHERS ISSUED AND PENDING). EUROPEAN PATENTS ARE ALSO APPLIED FOR AND PENDING UNDER THE PATENT COOPERATION TREATY WITH DIVISIONAL FILING RIGHTS RETAINED. METAL ROOF INNOVATIONS, LTD. (LICENSOR OF S-5!® TECHNOLOGY) AGGRESSIVELY PROSECUTES PATENT INFRINGEMENT.					