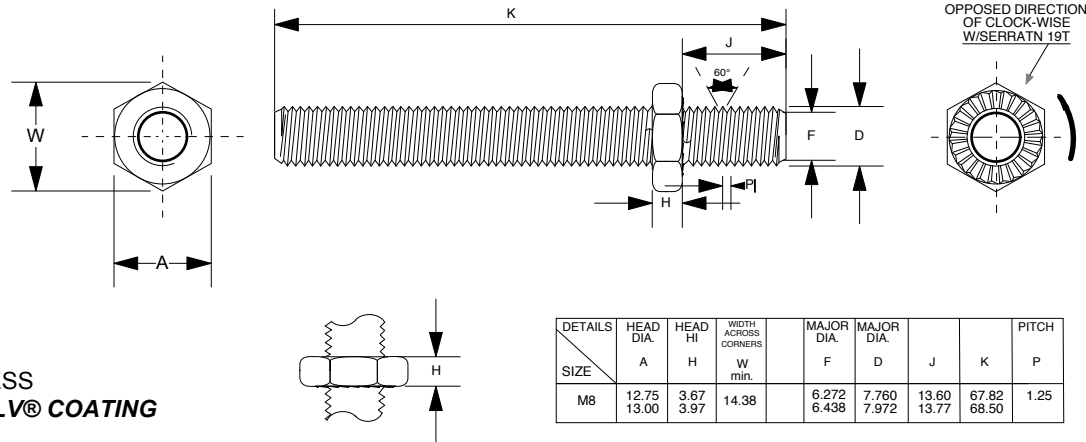


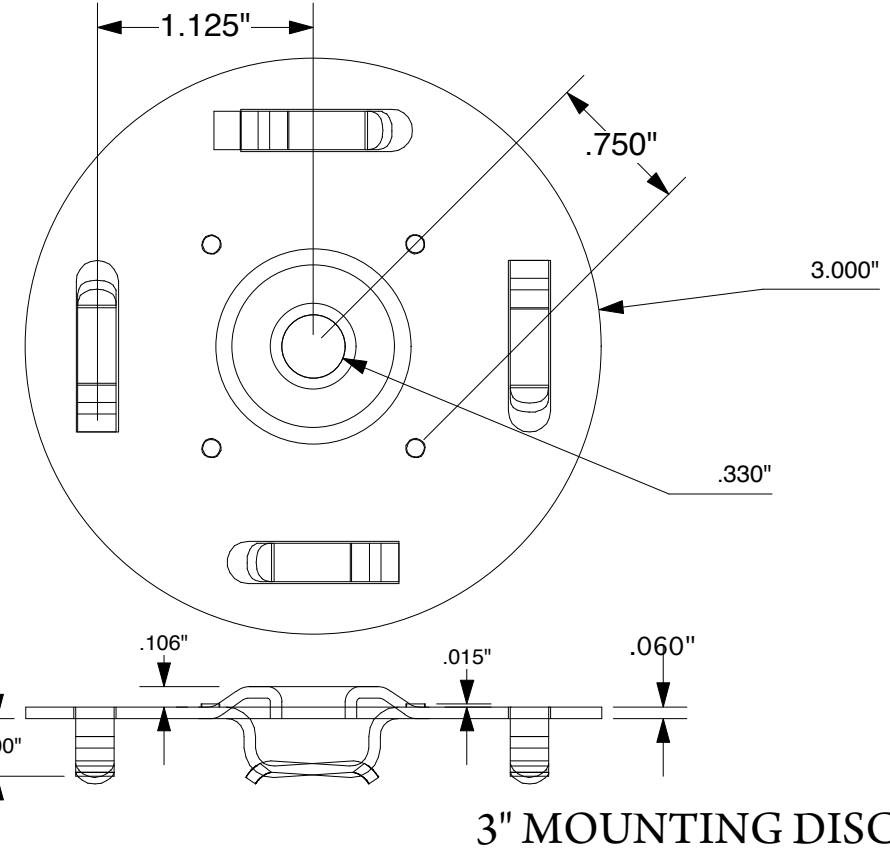
UNIVERSAL PV STUD



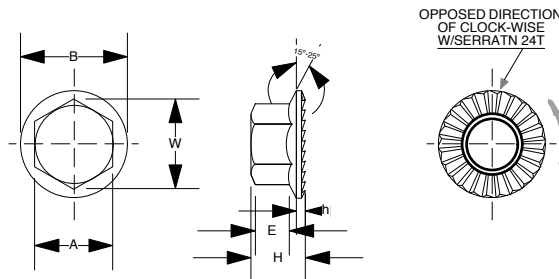
A2 STAINLESS
ARMORGALV® COATING

DETAILS SIZE	HEAD DIA. A	HEAD HI H	WIDTH ACROSS CORNERS W min.	MAJOR DIA. F	MAJOR DIA. D	J	K	PITCH P
M8	12.75 13.00	3.67 3.97	14.38	6.272 6.438	7.760 7.972	13.60 13.77	67.82 68.50	1.25

3003 H14
ALUMINUM



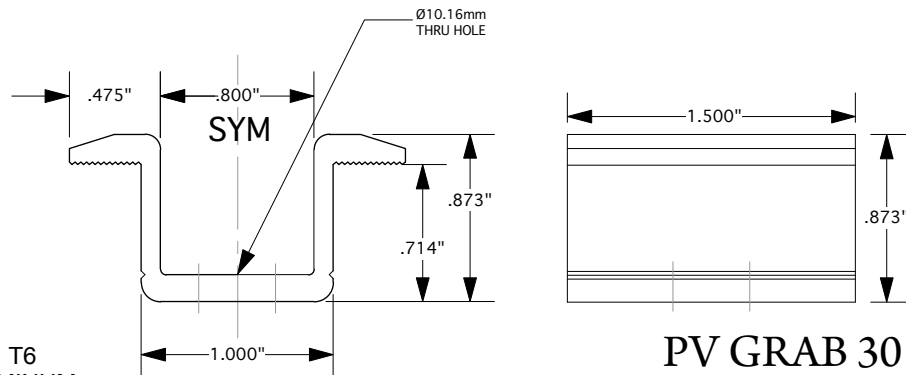
3" MOUNTING DISC



DETAILS SIZE	HEAD DIA. A	HEAD HI H	E min.	h min.	W min.	WASHER DIA. B
M8	12.75 13.00	7.85 8.35	3.20	1.50	14.28	17.00 18.00

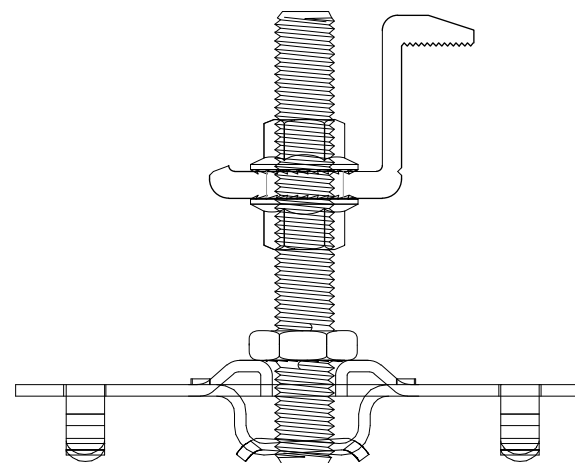
M8 HEX FLANGE NUT

A2 STAINLESS

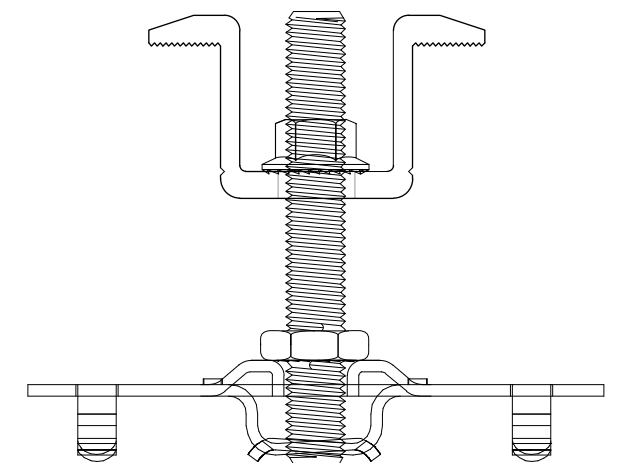


6061 T6
ALUMINUM

PV GRAB 30



ASSEMBLED EDGE CONDITION



ASSEMBLED MID CONDITION

S-5-PV KIT ASSEMBLES TO ANY S-5 MINI CLAMP

Soligent
YOUR S-5! DISTRIBUTOR
SOLIGENT
800-967-6917
www.soligent.net

FINISH:
CUT LENGTH:
ALLOY:
EST. AREA:
EST. WT/FT:

S-5!TM Unprecedented Innovation
Unmatched Quality
Unbelievable Price

TITLE S-5-PV Kit 30 Assembly		
DRAWING NO.	DRAWN BY DMMH	DATE
SCALE	FILE NAME PVK1MGMD40_CCD-2012	

S-5!TM PRODUCTS ARE PROTECTED BY MULTIPLE U.S. AND EUROPEAN PATENTS. METAL ROOF INNOVATIONS, LTD. (LICENSOR OF S-5!TM TECHNOLOGY) AGGRESSIVELY PROSECUTES PATENT INFRINGEMENT.

S-5! ATTACHMENT SOLUTIONS
METAL ROOF INNOVATIONS, LTD.
8655 TABLE BUTTE ROAD
COLORADO SPRINGS, CO 80908
(888) 825-3432
(719) 495-0045 (FAX)