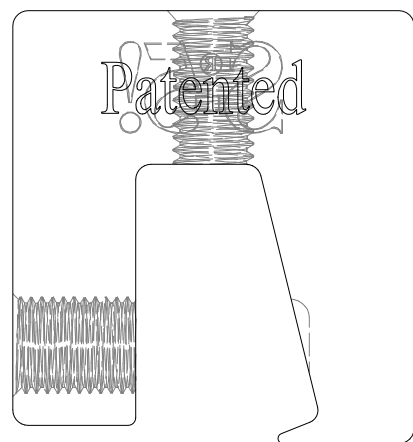
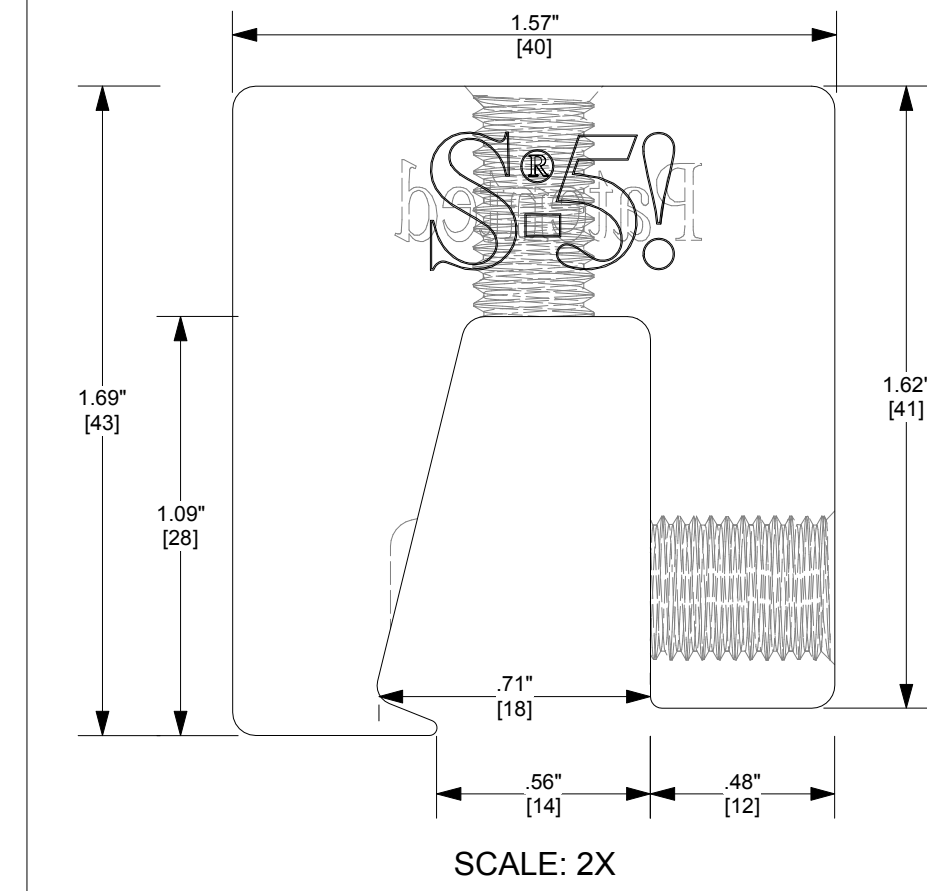
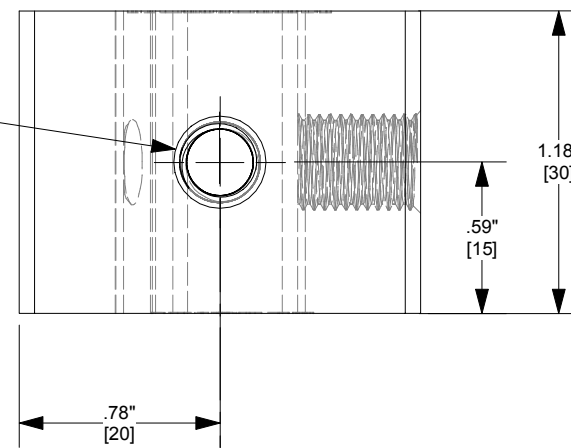


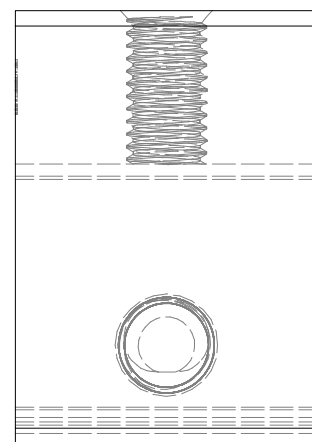
S-5-N Mini

M8-1.25 THREADED HOLE

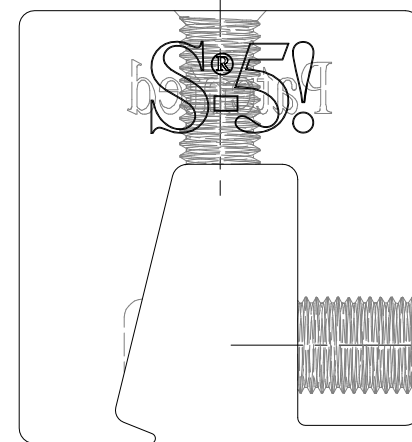
TOP



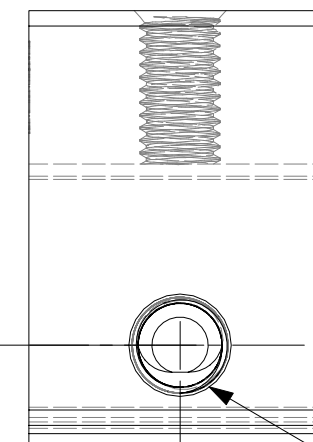
BACK



LEFT



FRONT

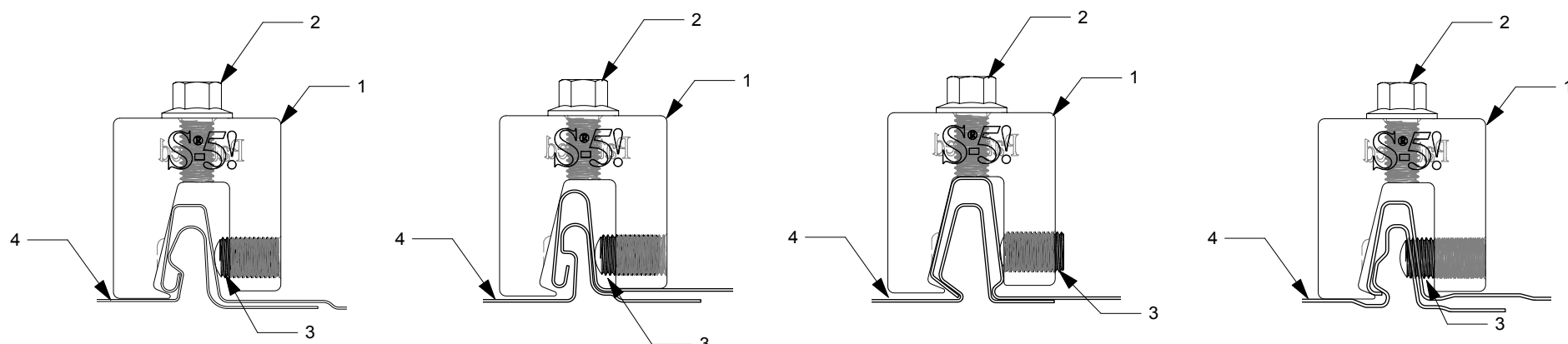


RIGHT

3/8-24 THREADED HOLE

Notes

1. S-5-N MINI
2. M8-1.25 X 16MM HEX FLANGE BOLT
3. 3/8-24 X .8" ROUND POINT SETSCREW
4. EXAMPLE PROFILE



FOR STANDING SEAM SPECIFIC MECHANICAL LOAD TEST INFORMATION AND CLAMP INSTALLATION INFORMATION PLEASE VISIT: WWW.S-5.COM

MATERIAL: 6061 T6	 The Right Way!	METAL ROOF INNOVATIONS, LTD. 8655 TABLE BUTTE RD COLORADO SPRINGS, CO 80908 719-495-0518 719-495-0045 (FAX)		
EST ASSEMBLY WEIGHT : 0.27 LBS		TITLE S-5-N MINI		
SUPPLIED HARDWARE: M8-1.25 X 16MM (13MM HEX) 18/8 SS 3/8-24 X .8" 18/8 SS	DRAWING NO. N72-A-1-A CCD		DRAWN BY DMMH	DATE 05/15/2012
SCALE: 1:0.75	S-5!® PRODUCTS ARE PROTECTED BY MULTIPLE U.S. PATENTS INCLUDING 5,228,248, 5,983,588 AND 6,164,033 (OTHERS ISSUED AND PENDING). EUROPEAN PATENTS ARE ALSO APPLIED FOR AND PENDING UNDER THE PATENT COOPERATION TREATY WITH DIVISIONAL FILING RIGHTS RETAINED. METAL ROOF INNOVATIONS, LTD. (LICENSOR OF S-5!® TECHNOLOGY) AGGRESSIVELY PROSECUTES PATENT INFRINGEMENT.			
OTHER:				