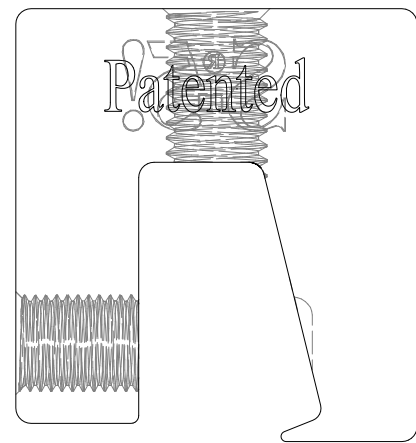
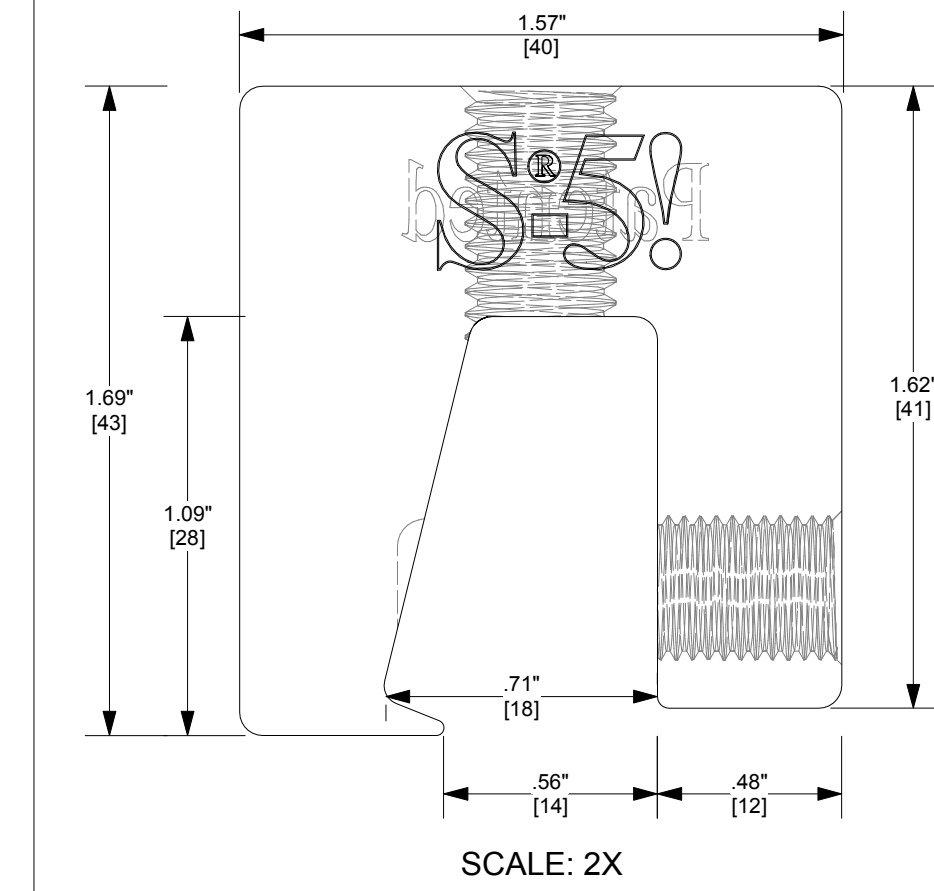
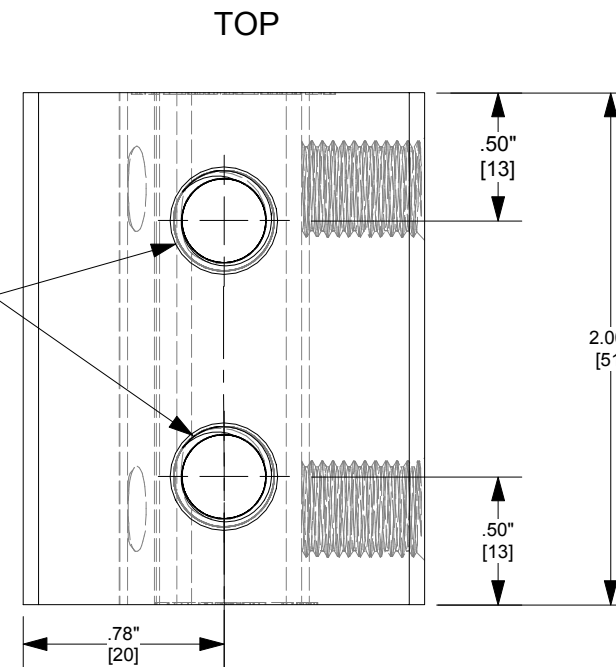
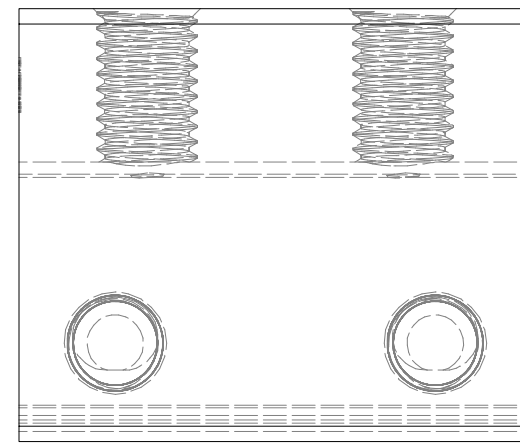


S-5-N

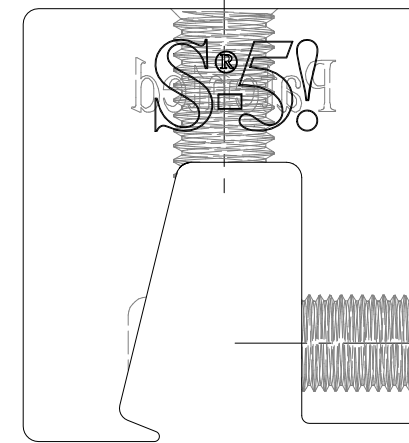
(2X) M10-1.5 THREADED HOLE



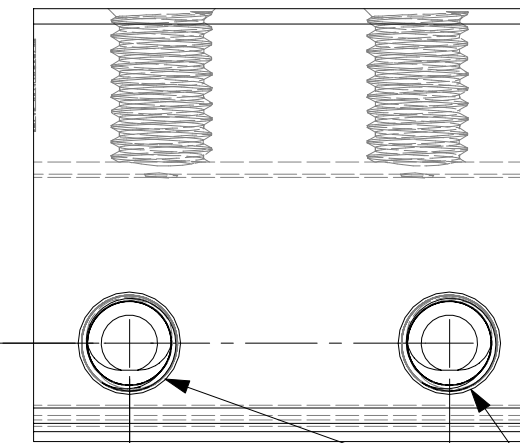
BACK



LEFT



FRONT

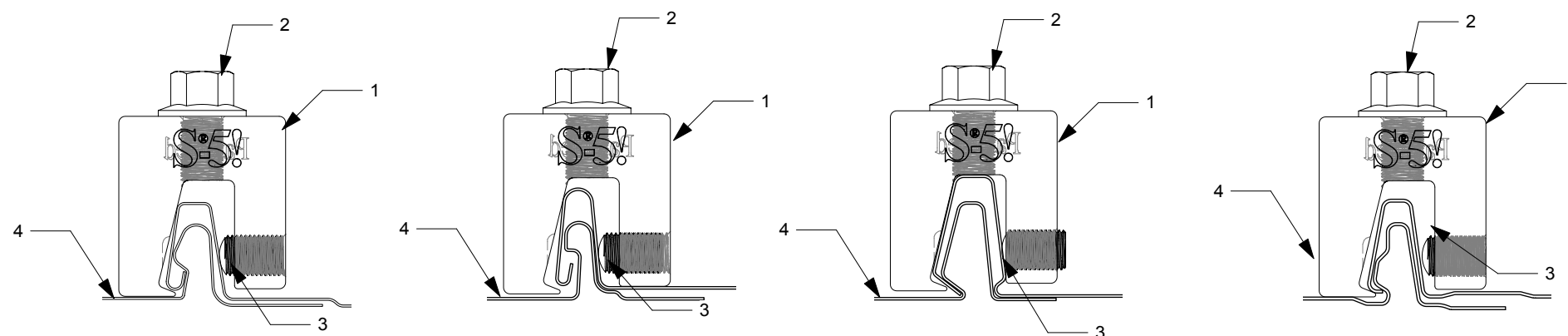


RIGHT

(2X) 3/8-24 THREADED HOLE

Notes

1. S-5-N
2. M10-1.5 X 16MM HEX FLANGE BOLT
3. 3/8-24 X .8" ROUND POINT SETSCREW
4. EXAMPLE PROFILE



FOR STANDING SEAM SPECIFIC MECHANICAL LOAD TEST INFORMATION AND CLAMP INSTALLATION INFORMATION PLEASE VISIT: WWW.S-5.COM

MATERIAL:	6061 T6
EST ASSEMBLY WEIGHT :	.43 LBS
SUPPLIED HARDWARE:	M10-1.5 X 16MM (16MM HEX) 18-8 SS 3/8-24 X .800" 18-8 SS
SCALE:	1:0.75
OTHER:	



METAL ROOF INNOVATIONS, LTD.
8655 TABLE BUTTE RD
COLORADO SPRINGS, CO 80908
719-495-0518
719-495-0045 (FAX)

TITLE			S-5-N		
DRAWING NO.	N72-A-0-A CCD	DRAWN BY	DMMH	DATE	05/15/2012

S-5!® PRODUCTS ARE PROTECTED BY MULTIPLE U.S. PATENTS INCLUDING 5,228,248, 5,983,588 AND 6,164,033 (OTHERS ISSUED AND PENDING). EUROPEAN PATENTS ARE ALSO APPLIED FOR AND PENDING UNDER THE PATENT COOPERATION TREATY WITH DIVISIONAL FILING RIGHTS RETAINED. METAL ROOF INNOVATIONS, LTD. (LICENSOR OF S-5!® TECHNOLOGY) AGGRESSIVELY PROSECUTES PATENT INFRINGEMENT.