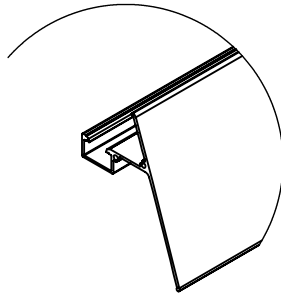
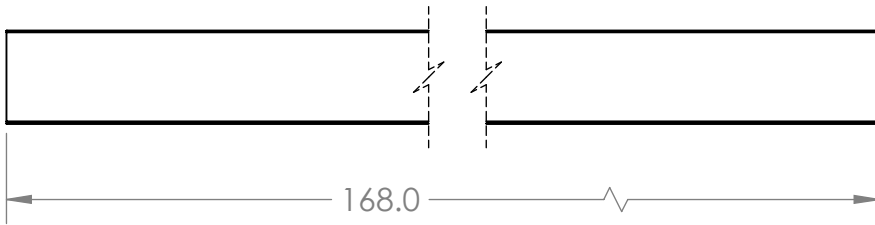
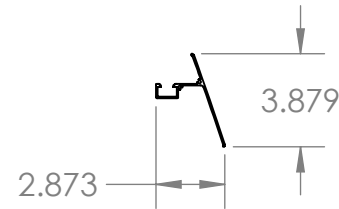
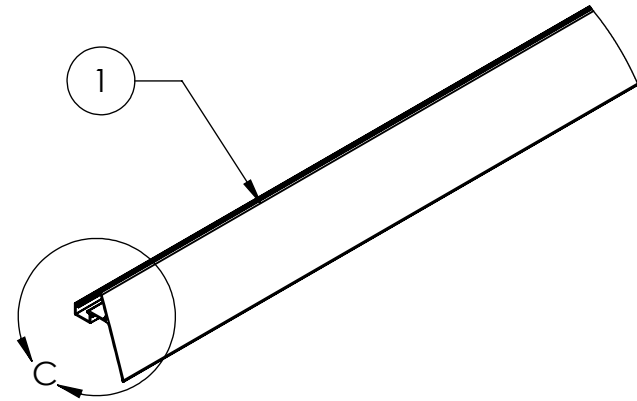


ITEM NO.	DESCRIPTION	QTY.
1	EXTRUSION, QSKIRT, 168", ALUMINUM, BLACK	1



DETAIL C
SCALE 1 : 4



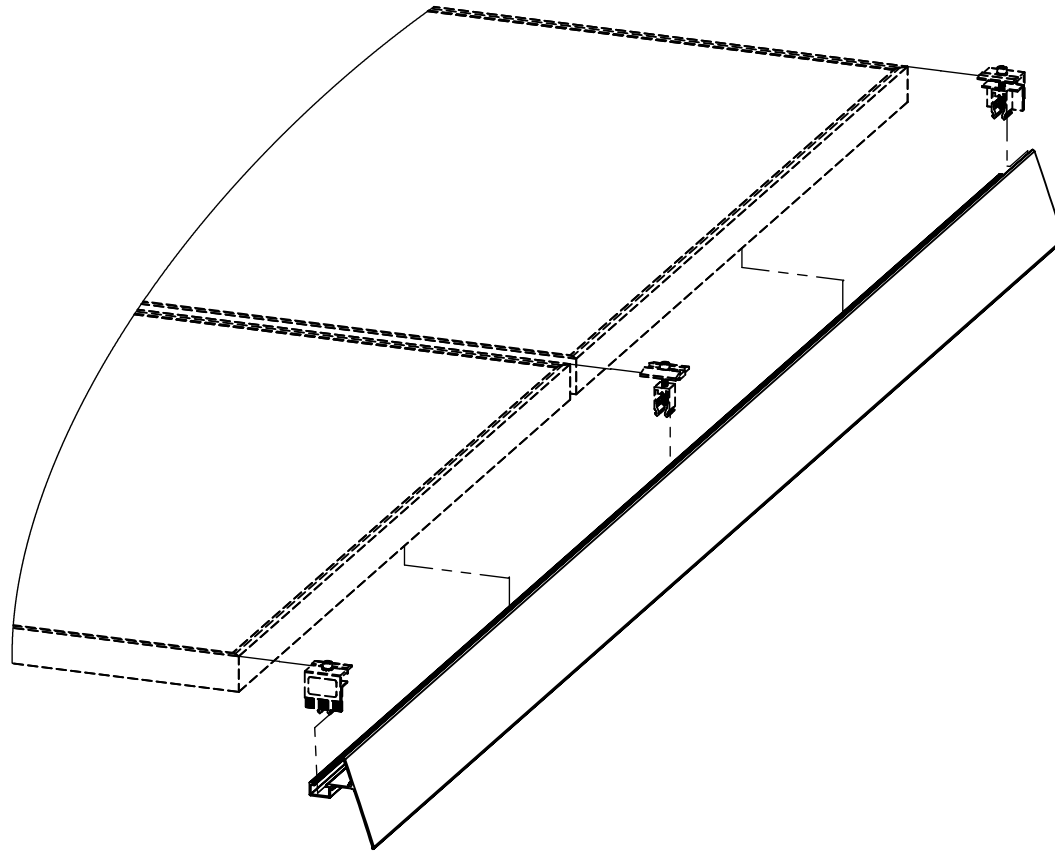
Quick Mount PV[®]

TITLE:
QMR-QS: QSKIRT

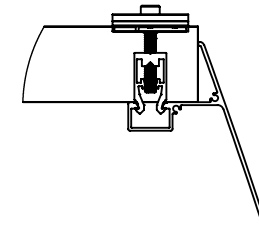
UNLESS OTHERWISE SPECIFIED: DIMENSIONS ARE IN INCHES TOLERANCES: FRACTIONAL ± 1/8 TWO PLACE DECIMAL ±.19 THREE PLACE DECIMAL ±.094	SIZE	DRAWN BY: RAD	REV
	A	DATE: 6/18/2018	1
SCALE: 1:8	WEIGHT: 125.24	SHEET 1 OF 2	

PROPRIETARY AND CONFIDENTIAL
THE INFORMATION CONTAINED IN THIS DRAWING IS THE SOLE PROPERTY OF QUICK MOUNT PV. ANY REPRODUCTION IN PART OR AS A WHOLE WITHOUT THE WRITTEN PERMISSION OF QUICK MOUNT PV IS PROHIBITED. **COPYRIGHT © 2016 QUICK MOUNT PV**

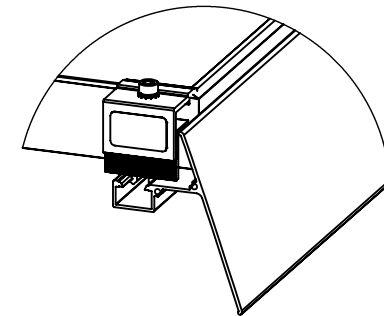
DO NOT SCALE DRAWING



CLAMPS NOT INCLUDED



SKIRT WITH MID CLAMP DETAIL
SCALE 1:4



QSKIRT WITH END CLAMP DETAIL
SCALE 1:4

Quick Mount PV[®]

TITLE:

QMR-QS: QSKIRT

UNLESS OTHERWISE SPECIFIED:

DIMENSIONS ARE IN INCHES
TOLERANCES:
FRACTIONAL $\pm 1/8$
TWO PLACE DECIMAL $\pm .19$
THREE PLACE DECIMAL $\pm .094$

SIZE

A

DRAWN BY: RAD

DATE: 6/18/2018

REV

1

SCALE: 1:8

WEIGHT: 125.24

SHEET 2 OF 2