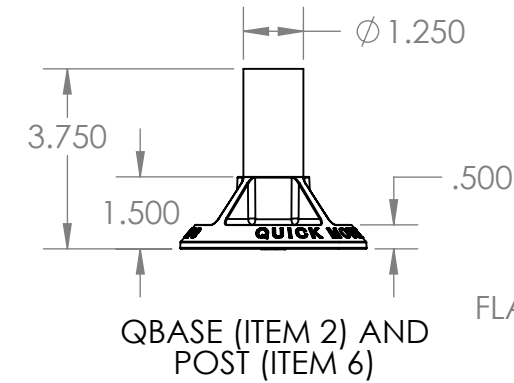
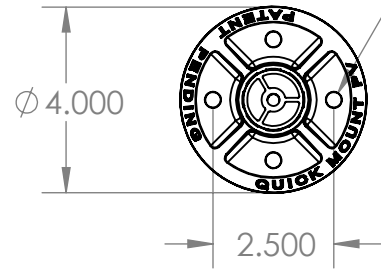
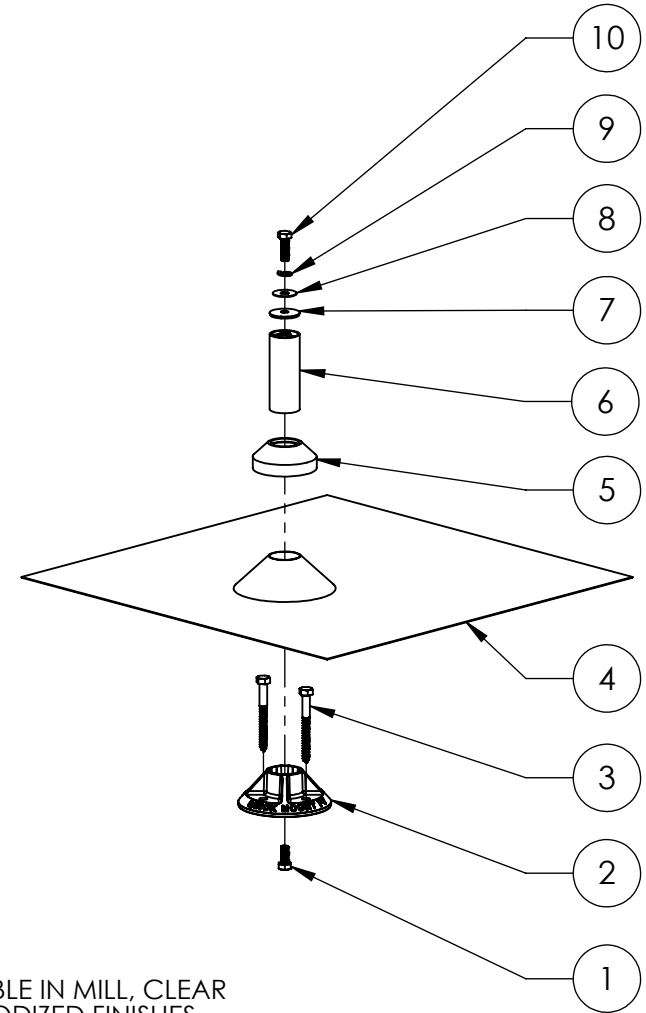
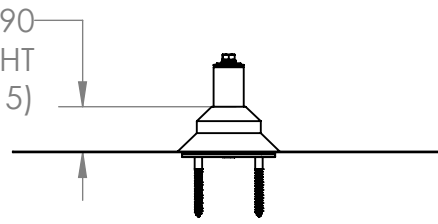
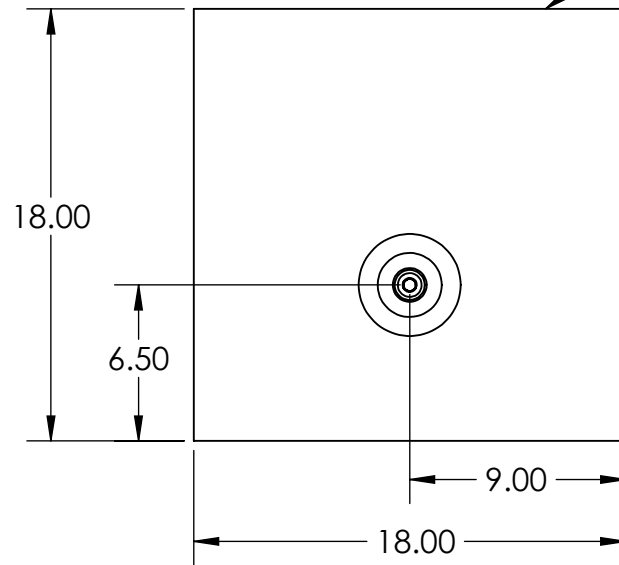


4X Ø.32 THRU
(CLEARANCE FOR
5/16" HARDWARE)



1.90
FLASHING HEIGHT
(ITEMS 4 & 5)

THIS EDGE TOWARDS ROOF RIDGE



POST AND FLASHING AVAILABLE IN MILL, CLEAR ANODIZED, AND BRONZE ANODIZED FINISHES.

STAINLESS STEEL LAG SCREWS INCLUDED WITH ANODIZED FINISHES.

ITEM NO.	DESCRIPTION	QTY.
1	CAP SCREW, HEX HEAD, 5/16"-18 X 3/4" UNC-2A, GRADE 8	1
2	QBASE, 1-1/4" ID, FOR 5/16" HARDWARE, A360.1 CAST AL	1
3	LAG SCREW, HEX HEAD, 5/16" X 3", ZINC	2
4	FLASHING, SPUN CONE, 18"X18"X.032", 3003 AL, MILL	1
5	COLLAR, COUNTER FLASHING, 1-1/4" ID EPDM	1
6	POST, 1-1/4" OD X 3-1/4", 6063-T5, MILL	1
7	WASHER, SEALING, 5/16" ID X 1-1/4" OD, EPDM BONDED SS	1
8	WASHER, FENDER, 5/16" ID X 1" OD, 18-8 SS	1
9	WASHER, SPLIT-LOCK, 5/16" ID, 18-8 SS	1
10	CAP SCREW, HEX HEAD, 5/16"-18 X 1" UNC-2A, 18-8 SS	1

PROPRIETARY AND CONFIDENTIAL
THE INFORMATION CONTAINED IN THIS DRAWING IS THE SOLE PROPERTY OF QUICK MOUNT PV. ANY REPRODUCTION IN PART OR AS A WHOLE WITHOUT THE WRITTEN PERMISSION OF QUICK MOUNT PV IS PROHIBITED.

DO NOT SCALE DRAWING

Quick Mount PV[®]

TITLE:
QMNS: QBASE SHAKE AND SLATE MOUNT

UNLESS OTHERWISE SPECIFIED: DIMENSIONS ARE IN INCHES TOLERANCES: FRACTIONAL ± 1/8 TWO PLACE DECIMAL ±.18 THREE PLACE DECIMAL ±.125	SIZE A	DRAWN BY: RAD	REV 6
	SCALE: 1:8	DATE: 1/15/2013	SHEET 1 OF 1