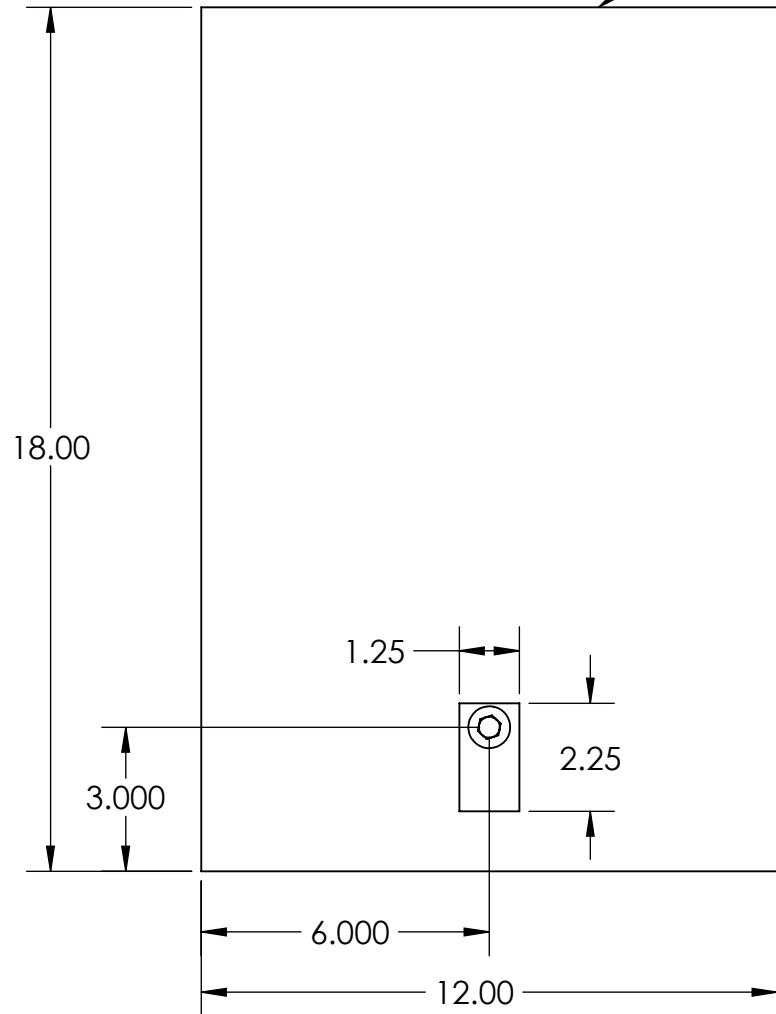
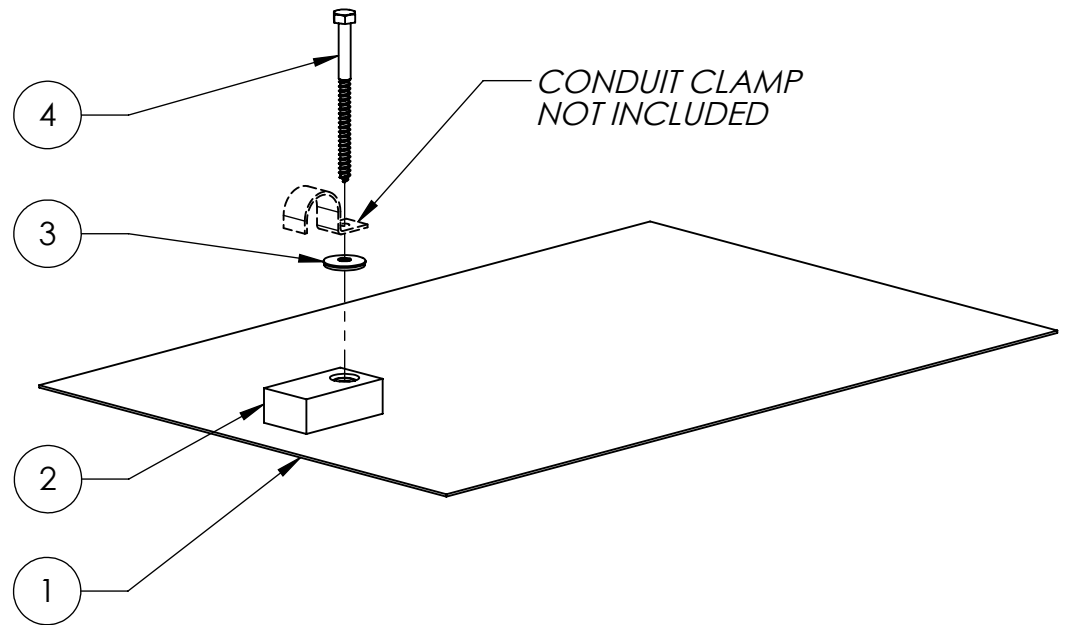


THIS EDGE
TOWARDS ROOF
RIDGE



ITEM NO.	DESCRIPTION	QTY.
1	FLASHING, 12" X 18" X .050", 5052, MILL	1
2	QBLOCK, CONDUIT, 5/16", 6061-T6, MILL	1
3	WASHER, SEALING, 1/4" ID X 7/8" OD, EPDM BONDED SS	1
4	LAG SCREW, HEX HEAD, 1/4" x 3-1/2", 18-8 SS	1

AVAILABLE IN MILL, CLEAR ANODIZED
AND BRONZE ANODIZED FINISHES



Quick Mount PV[®]

TITLE:
**QMLCC: CLASSIC CONDUIT
SHAKE MOUNT**

UNLESS OTHERWISE SPECIFIED: DIMENSIONS ARE IN INCHES TOLERANCES: FRACTIONAL $\pm 1/8$ TWO PLACE DECIMAL $\pm .18$ THREE PLACE DECIMAL $\pm .125$	SIZE A	DRAWN BY: RAD	REV 4
	SCALE: 1:4	DATE: 1/30/2013	WEIGHT: 1.32
		SHEET 1 OF 1	

PROPRIETARY AND CONFIDENTIAL
THE INFORMATION CONTAINED IN THIS DRAWING IS THE SOLE PROPERTY OF QUICK MOUNT PV. ANY REPRODUCTION IN PART OR AS
A WHOLE WITHOUT THE WRITTEN PERMISSION OF QUICK MOUNT PV IS PROHIBITED.

DO NOT SCALE DRAWING