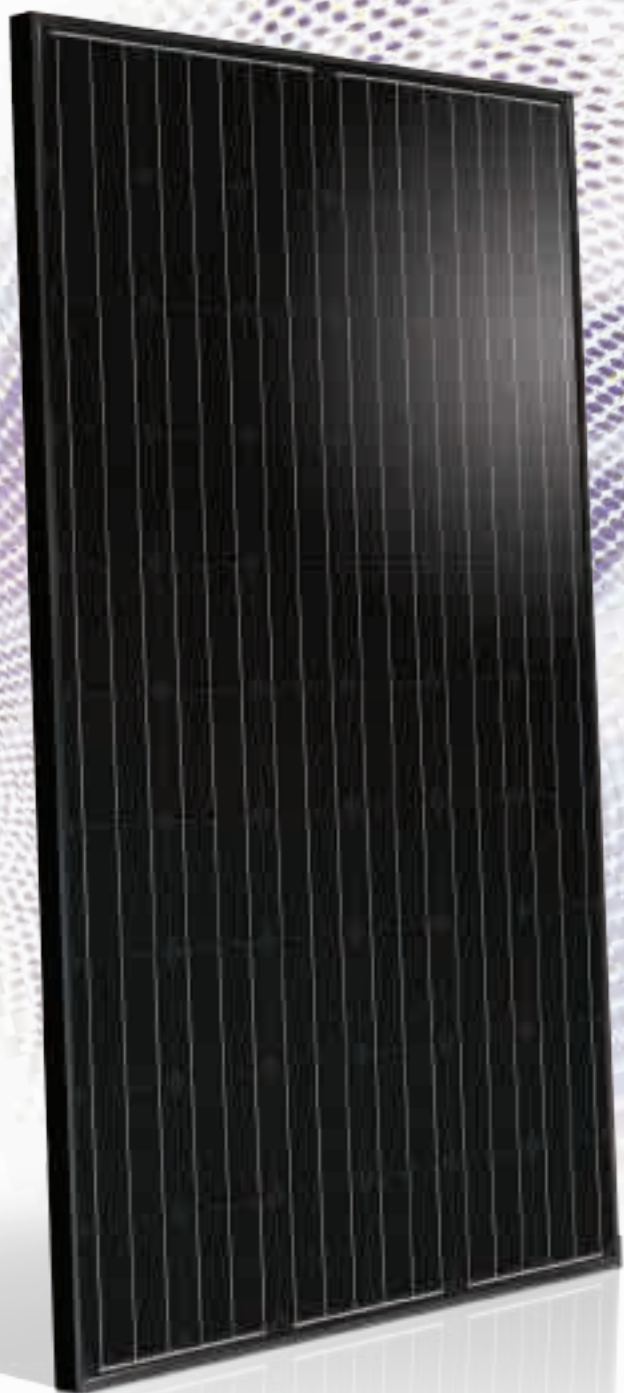


# GreenTriplex

## PM250M0 | 265W

Mono-Crystalline  
Photovoltaic Module



**Power**  
265 Wp



**Highly Strengthened Design**  
Module complies with advanced loading tests to meet 5400 Pa loading requirements



**3 Busbar Design**  
Enhance current transmission and module reliability

Optional



**AC photovoltaic**  
Integrated with a Micro-inverter, the module has high and stable AC power output via panel level MPPT



BenQ  
Solar

# Green Triplex PM250M01 (265 W<sub>p</sub>)

## Electrical Data

Typ. Nominal Power P <sub>N</sub>	265W
Typ. Module Efficiency	16.4%
Typ. Nominal Voltage V <sub>mp</sub> (V)	31.0
Typ. Nominal Current I <sub>mp</sub> (A)	8.58
Typ. Open Circuit Voltage V <sub>oc</sub> (V)	38.1
Typ. Short Circuit Current I <sub>sc</sub> (A)	8.84
Maximum Tolerance of P <sub>N</sub>	0 / +3%

- Above data are the effective measurement at Standard Test Conditions (STC)
- STC: irradiance 1000 W/m<sup>2</sup>, spectral distribution AM 1.5, temperature 25 ± 2 °C, in accordance with EN 60904-3
- The given electrical data are nominal values which account for basic measurements and manufacturing tolerances of ±10%, with the exception of P<sub>N</sub>. The classifications is performed according to P<sub>N</sub>
- Black backsheet is utilized for power range 250 ~ 265W; White backsheet is for 250 ~ 270W

## Temperature Coefficient

NOCT	46 ± 2 °C
Typ. Temperature Coefficient of P <sub>N</sub>	-0.44% / K
Typ. Temperature Coefficient of V <sub>oc</sub>	-0.30% / K
Temperature Coefficient of I <sub>sc</sub>	0.06% / K

- NOCT: Normal Operation Cell Temperature, measuring conditions: irradiance 800 W/m<sup>2</sup>, AM 1.5, air temperature 20 °C, wind speed 1 m/s

## Mechanical Characteristics

Dimensions (L x W x H)	1639 x 983 x 40 mm (64.53 x 38.70 x 1.57 in)
Weight	18.5 kg (40.79 lbs)
Front Glass	High transparent solar glass (tempered), 3.2 mm (0.13 in)
Cell	60 monocrystalline solar cells, 156 x 156 mm (6 x 6 in)
Cell Encapsulation	EVA
Back Sheet	Composite film, black/white
Frame	Anodized aluminum frame, black
Junction Box	IP-65 rated with 3 bypass diodes
Cables	1 x 4 mm <sup>2</sup> (0.04 x 0.16 inch <sup>2</sup> ), length: each 1.0 m (39.37 in)
Connector Type	Tyco plug

## Operating Conditions

Operating Temperature	-40 ~ +85 °C
Ambient Temperature Range	-40 ~ +45 °C
Max. System Voltage IEC/UL	1000 V / 600 V
Serial Fuse Rating	15 A
Maximum Surface Load Capacity	Tested up to 5400 Pa according to IEC 61215 (advanced test)

## Warranties and Certifications

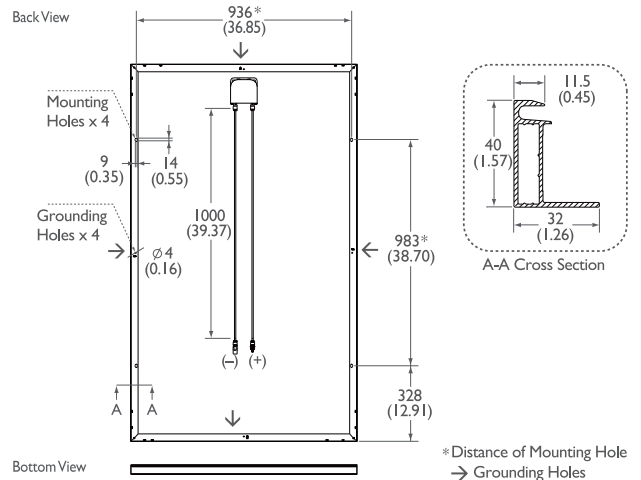
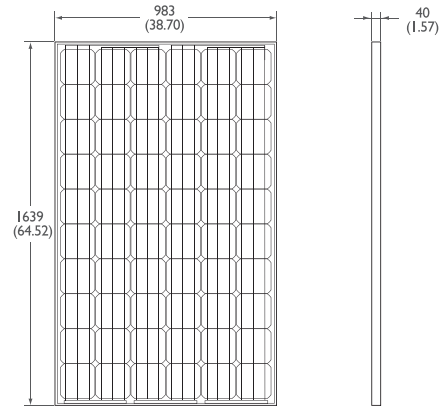
Product Warranty	10 years for material and workmanship
Performance Guarantee	Guaranteed output of 90% for 10 years and 80% for 25 years
Certifications	According to IEC 61215, IEC 61730 and UL 1703 guidelines *

- \* Please confirm other certifications with official dealers

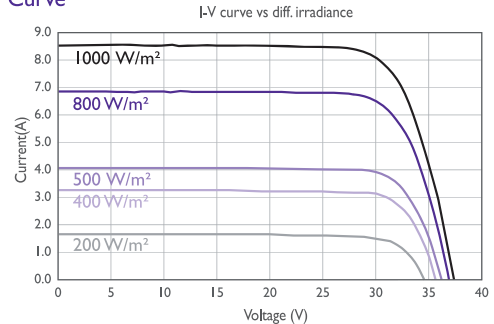
## Packing configuration

Container	20' GP	40' GP	40' HQ
Pieces per pallet	23	23	23
Pallets per container	6	13	26
Pieces per container	138	299	598

## Dimensions mm (inch)



## I-V Curve



Current/voltage characteristics with dependence on irradiance and module temperature.

Dealer Stamp

- \* All data subject to change without prior notice. Please consult our official dealers for more information.

Ver. 201212\_EN\_USA



## AU Optronics Corporation

No. 1, Li-Hsin Rd. 2, Hsinchu Science Park, Hsinchu 30078, Taiwan  
Tel: +886-3-500-8899 e-mail: BenQSolar@auo.com www.BenQSolar.com



BenQ Solar is a division of AU Optronics The datasheet is printed with Soy Ink / Printed in Taiwan  
© Copyright February 2012 AU Optronics Corp. All rights reserved. Information may change without notice.



BenQ  
Solar