

**POWER RAIL™**  
Top-Clamping PV Mounting System  
P6, P8 and P14 Rails



 COMMUNICATIONS    ENERGY    SPECIAL INDUSTRIES    SOLAR

 **POWER-FAB®**  
Quality Hardware for the PV Industry



# Power Rail™ Roof Mounting System

The top-clamping PV module mounting system is engineered to reduce installation costs and provide maximum strength for parallel-to-roof or tilt up mounting applications.



Cable Management in Rails

The Power Rail top-clamping mounting system is designed with the professional PV solar installer in mind. The top-clamping rails utilize a single tool with a revolutionary RAD™ Fastener for faster bolt placement. The unique shape of the RAD provides an anti-rotation feature, locking the bolt in the proper orientation when installed. The high

strength rigid rails also include an integral wiring channel for securing cables and providing a professional finish. The Power Rail Mounting System features the industry's broadest selection of mounting supports, designed for secure and water tight attachments to any roof style.



Flashed Supports

## Mounting Rail Options

- P6-Rail** Engineered to save cost on shorter span applications
- P8-Rail** Engineered for longer span and heavier snow conditions
- P14-Rail** Engineered for commercial applications with greater distances between supports

\* Reference Rail Span and Cantilever Charts on the back of this sell sheet.



Easy Feet™, Power Post™ and "L" Feet Supports

## Features

### High Strength Reliable Design

- Engineered rail profiles for maximum strength-to-weight ratio
- Structural Aluminum rigid rail construction
- High Strength stainless steel module clamps and hardware

### Flexible Mounting Options

- Height adjustable "L" mounting feet
- Tilt Feet up to 10 degrees
- Solid Aluminum Power Post™ stanchions
- Easy Feet™ attachment anywhere on metal or composite roof decking
- PV Flashing mounting supports
- Telescoping and One-Piece Tilt Kits up to 65 degrees
- Easy Feet Tile Hooks

### Reduced Installation Time and Costs

- Single Tool Assembly – all 5/16" hardware
- RAD Fastener for quick bolt placements anywhere along rail
- Under flange clamping options
- Integral Wiring Channel for securing cables
- Standard lengths up to 27 feet eliminate costly rail splices
- Snap-In WEEB Integral module grounding option



Tilt-up applications

# Power Rail™ Roof Mounting System



## Standard Rail Lengths

P6 Part #	P8 Part #	P14 Part #	Length
P6-84	P8-84	P14-84	84"
P6-126	P8-126	P14-126	126"
P6-162	P8-162	P14-162	162"
P6-204	P8-204	P14-204	204"
P6-240	P8-240	P14-240	240"
P6-282	P8-282	P14-282	282"
P6-324	P8-324	P14-324	324"



P14

P8

P6

Power Rail Extrusions



Lock-In-Place RAD Bolt

## Mid Clamp with Revolutionary RAD™ Fastener

- Twist in anywhere along rail channel – avoid sliding bolts
- Visual indicator of bolt orientation
- “D” hole on mating clamp locks bolt from rotating
- Tight 3/8” module spacing
- High strength stainless steel clamp and bolt

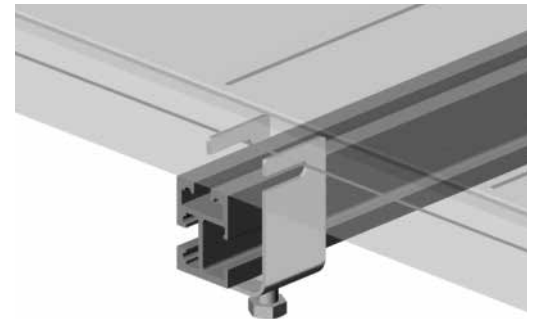


Lock-In-Place RAD™ Fastener – Patent Pending



## Universal End Clamp

- Simply slides under rail and clamps module flange
- Secures any framed PV module
- Improved aesthetics allows module frame to be placed flush with rail end
- High strength stainless steel construction



P6 Universal End Clamp

Refer to the Power Rail Catalog at [www.dpwsolar.com](http://www.dpwsolar.com) for all roof attachments and clamping options.



# Wind and Snow Loading Capability

## P6 Rail – Span/Cantilever Distances (inches)

	SPAN/C'VER	SNOW LOAD (PSF)										
		0	10	20	30	40	50	60	70	80	90	100
WIND SPEED* (MPH)	90	72/36	60/32	54/26	48/24	43/21	40/20	36/18	33/16	31/15	29/14	28/14
	100	60/32	58/28	48/24	46/23	42/21	38/19	36/18	33/16	31/15	29/14	28/14
	110	58/28	54/26	48/24	44/22	40/20	37/18	35/17	33/16	31/15	29/14	28/14
	120	54/26	54/26	46/23	42/21	39/19	36/18	34/17	32/16	31/15	29/14	28/14
	130	48/24	48/24	44/22	40/20	37/18	35/17	33/16	32/16	30/15	29/14	28/14

## P8 Rail – Span/Cantilever Distances (inches)

	SPAN/C'VER	SNOW LOAD (PSF)										
		0	10	20	30	40	50	60	70	80	90	100
WIND SPEED* (MPH)	90	96/48	92/46	80/40	72/36	66/33	62/31	58/29	52/26	50/25	46/23	44/22
	100	88/44	86/43	76/38	68/34	64/32	60/30	56/28	52/26	50/25	46/23	44/22
	110	80/40	80/40	72/36	66/33	62/31	58/29	54/27	52/26	50/25	46/23	44/22
	120	74/37	74/37	68/34	64/32	60/30	56/28	52/26	50/25	48/24	46/23	44/22
	130	68/34	68/34	66/33	60/30	56/28	54/27	52/26	48/24	46/23	44/22	44/22
	140	64/32	64/32	62/31	58/29	54/27	52/26	50/25	48/24	46/23	44/22	42/21
	150	60/30	60/30	60/30	56/28	52/26	50/25	48/24	46/23	44/22	42/21	42/21

## P14 Rail – Span/Cantilever Distances (inches)

	SPAN/C'VER	SNOW LOAD (PSF)										
		0	10	20	30	40	50	60	70	80	90	100
WIND SPEED* (MPH)	90	168/79	160/75	141/66	128/60	118/55	110/52	103/48	96/45	90/42	85/40	81/38
	100	153/72	150/71	134/63	123/58	113/53	106/50	100/47	95/45	90/42	85/40	81/38
	110	140/66	140/66	127/60	117/55	109/51	103/48	97/46	92/43	88/41	85/40	81/38
	120	129/61	129/61	121/57	112/53	105/49	99/47	94/44	90/42	86/40	83/39	80/38
	130	120/56	120/56	115/54	107/50	101/47	96/45	91/43	87/41	84/39	81/38	78/37
	140	112/53	112/53	109/51	103/48	97/46	93/44	88/41	85/40	82/39	79/37	76/36
	150	105/49	105/49	104/49	99/47	94/44	89/42	86/40	82/39	79/37	77/36	74/35

\*Exposure C Category, please refer to design guidelines and ASCE requirements for more information.



4000-B Vassar Drive NE  
Albuquerque, New Mexico 87107  
USA

Telephone: 800.260.3792  
Fax: 505.889.3548  
Web Site: [www.DPWSolar.com](http://www.DPWSolar.com)  
E-mail: [info@power-fab.com](mailto:info@power-fab.com)

Preformed Line Products  
(Canada) Limited  
1711 Bishop St. E  
Cambridge, ON N1T 1N5

Telephone: 519-740-6666  
Fax: 519-740-7917  
Web site: [www.preformed.on.ca](http://www.preformed.on.ca)  
Email: [sales@preformed.on.ca](mailto:sales@preformed.on.ca)



YOUR DPW SOLAR DISTRIBUTOR  
SOLARIS  
720-474-6050  
[www.solaris-shop.com](http://www.solaris-shop.com)