

INSTALLATION AND USER MANUAL FOR SHARP PHOTOVOLTAIC MODULES

ND-255QCS / ND-250QCS / ND-245QCS
ND-250QCJ / ND-245QCJ / ND-240QCJ
ND-Q250F7 / ND-Q245F7

IMPORTANT SAFETY INSTRUCTIONS

PLEASE READ THIS MANUAL CAREFULLY BEFORE INSTALLING OR USING THE MODULES.
PLEASE PASS ALONG THIS MANUAL TO YOUR CUSTOMER.

A) GENERAL MANUAL

A-1. INTRODUCTION

Thank you for choosing SHARP photovoltaic (PV) module. This Installation Manual contains essential information for electrical and mechanical installation that you must know before installing SHARP photovoltaic modules. These modules are listed to standard UL 1703. This Manual also contains safety information you need to be familiar with. All the information described in this Manual is the intellectual property of SHARP and is based on the technologies and experience that have been acquired and accumulated over the long history of SHARP. This Manual does not constitute a warranty, expressed or implied. SHARP does not assume responsibility and expressly disclaims liability for loss, damage, or expense arising out of or in any way connected with installation, operation, use or maintenance of PV modules. No responsibility is assumed by SHARP for any infringement of patents or other rights of third parties that may result from use of PV modules. SHARP reserves the right to make changes to the product, specifications or Installation Manual without prior notice.

A-2. GENERAL INFORMATION (INCLUDING WARNING AND SAFETY)

The installation of PV modules requires a great degree of skill and should only be performed by qualified licensed professionals, including licensed contractors and licensed electricians. Please be aware that there is a serious risk of various types of injury occurring during the installation including the risk of electric shock. These SHARP PV modules are equipped with a permanently attached special cable assembly for ease of installation which does not require special assembly.

< GENERAL WARNING >

1. PV modules are heavy. Handle with care.
2. Before you attempt to install, wire, operate and maintain the PV module, please make sure that you completely understand the information described in this Installation Manual.
3. Contact with electrically active parts of a PV module such as terminals can result in burns, sparks and lethal shock whether the PV modules are connected or not.
4. PV modules produce electricity when sufficient sunlight or other light source illuminates the module. When modules are connected in series, voltage is cumulative. When modules are connected in parallel, current is cumulative. PV systems can produce high voltage and current which could present an increased hazard and may cause serious injury or death.
5. Do not connect PV modules directly to motor loads. Variation in PV module output power as a function of solar irradiance may damage directly-connected loads. For example,
 - 1: In the case of a brushless motor, the lock function may become active and the motor may be damaged;
 - 2: In the case of a brush type motor, the coil may be damaged.
6. Always use gloves when handling the module, never touch the glass surface with bare hands.

< GENERAL SAFETY >

1. Wiring and grounding method of the frame of arrays shall comply with national, regional and local codes, laws and standards.
2. PV modules should be installed and maintained by qualified personnel. Only installation/service personnel should have access to the PV module installation site.
3. Keep children away from PV modules.
4. Prior to installation, do not store modules outdoors or in a damp environment to prevent glass from damage due to white efflorescence.
5. When PV modules are installed on roofs or any other structures above ground, appropriate safety practices should be followed and appropriate safety equipment should be used in order to avoid possible safety hazards. Note that the installation of PV modules on some roof types may require the addition of fireproofing, as required by local building/fire codes.
6. Roof mounted PV modules are to be mounted over a fire resistant roof.
7. Only PV modules with the same cell size should be connected in series.
8. Follow all safety precautions of other components used in the system.
9. In order to avoid risk of injury or electrical shock, do not allow anyone to handle damaged PV modules if the person is unqualified or has limited knowledge of PV modules. Place defective PV modules in cartons so PV cells are completely shaded, because a defective PV module or module with broken glass may generate power even if it is removed from the system.
10. Avoid uneven shade on the PV module surface. Shaded cells may become hot ("hot spot" phenomenon) which may result in permanent damage to the module (e.g., solder joints may peel off).
11. Do not clean the glass surface with chemicals. Do not let water stay on the glass surfaces of PV modules for a long time. This creates a risk of permanent damage to the glass, such as white efflorescence, otherwise known as "glass disease," which may cause reduced power output.
12. To avoid dirt accumulation or white efflorescence due to water accumulation, do not install PV modules horizontally (flat).
13. In case of snow build up, snow would be slide down easier on the module than other parts of the roof. When snow suddenly slide and fall off the module's surface, it may fall to under the roof and reach nearby areas. Ensure that the installment of the modules would not cause any damage to objects (carport, bicycle, entrance) nearby. Apply appropriate safety measures and/or safety equipments (e.g. snow stopper) when necessary.
14. Do not expose PV modules to sunlight concentrated with mirrors, lenses or other means.
15. Turn off inverters and circuit breakers immediately, should a problem occur.
16. The maximum open circuit voltage must not be greater than the specified maximum system voltage. Voltage is proportional to the number of PV modules in series and is affected by weather conditions. For strings connected in parallel take proper measures to block reverse current flow.

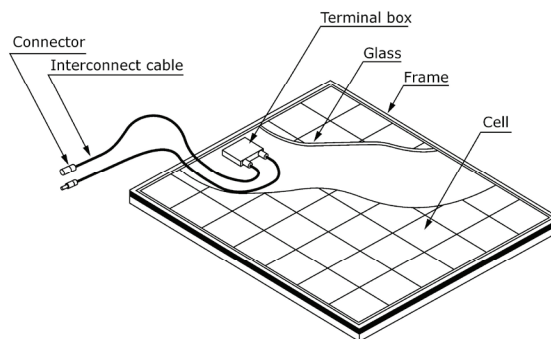
< HANDLING SAFETY >

1. Do not expose the PV module to excessive loads on the surface of the PV module or twist the frame. The glass may break.
2. Do not stand or step on the PV module. The glass may be slippery, and there is a risk of injury or electric shock if glass is broken.
3. Do not hit or put excessive load on the glass or back sheet. PV cells may break.
4. To avoid damage to the back sheet, do not scratch or hit the back sheet.
5. To avoid damage to the terminal box and electricity leakage or shock, do not hit the terminal box; do not pull the interconnect cables; do not scratch the interconnect cable.
6. Avoid the connector from scratching or impacting the back sheet of the module.
7. Install connector such that it is not exposed to direct sunlight.
8. Do not twist the interconnect cable excessively.
9. Never touch the end of the interconnect cables with bare hands when the module is illuminated. Cover the surface of module with cloth or other sufficiently opaque material to block the module from incident light and handle the wires with insulated gloved hands to avoid electric shock.
10. Do not drill holes in the frame. It may compromise the frame strength and cause corrosion of the frame.
11. Do not scratch the anodized coating of the frame (except for grounding connection). It may cause corrosion of the frame or compromise the frame strength.
12. Do not loosen or remove the screws from the PV module. It may compromise the strength of the PV module and cause corrosion.
13. Do not touch the PV module with bare hands. The frame of the PV module has sharp edges and may cause injury. Wear suitable gloves, such as leather gloves with padding in the palm and finger areas.
14. Do not drop the PV module or allow objects to fall on the PV module.
15. Do not lift the PV module by only one side. The frame may bend. Always use two hands to lift and carry the PV module on the long side of the frame.
16. Some PV modules incorporate one or more support bars on the back of the module. Do not mount or carry the PV module using the support bar(s) on the back of the module.

< INSTALLATION SAFETY >

1. Always wear protective head gear, insulating gloves and safety shoes (with rubber soles).
2. Keep the PV module packed in the carton until installation.
3. Do not touch the PV module unnecessarily during installation. The glass surface and the frame may be hot. There is a risk of burns and electric shock.
4. Do not work in rain, snow or windy conditions.
5. Due to the risk of electrical shock, do not perform any work if the terminals of the PV module are wet.
6. Use insulated tools and do not use wet tools.
7. When installing PV modules, do not drop any objects (e.g., PV modules or tools).
8. Make sure flammable gasses are not generated or present near the installation site.
9. Insert interconnect connectors fully and correctly. Check all connections.
10. The interconnect cable should be securely fastened to the module frame, the mounting racking or in a raceway to prevent movement of the interconnect cable over time. Cable support should be done in a way to avoid the connector from scratching or impacting the back sheet of the module.
11. Do not touch the terminal box and the end of the interconnect cables (connectors) with bare hands during installation or under sunlight, regardless of whether the PV module is connected to or disconnected from the system.
12. Do not unplug a connector if the system circuit is connected to an operating load.

13. Do not work alone (always work as a team of 2 or more people).
14. Wear a safety harness when working above the ground.
15. Do not wear metallic jewelry which may conduct electricity and enable electric shock during installation.
16. Do not damage the back sheet of PV modules when fastening the PV modules to a support by bolts.
17. Do not damage the surrounding PV modules or mounting structure when replacing a PV module.
18. Use UV resistant cable ties or other wire management hardware to secure the interconnect cables. Drooping cables may cause various problems, such as leading to electrical shorts.
19. Take proper measures for preventing the laminate (consisting of encapsulant, cells, glass, back sheet, etc.) from dropping out of the frame in case the glass is broken.
20. Cables shall be located so that they will not be exposed to direct sunlight in order to prevent degradation of the interconnect cables.
21. In case of extreme snow build-up, the weight of the snow may cause the module's frame to deform. Take appropriate measures to minimize any possible resulting damage.
22. It is recommended to install the PV module with the junction box at the highest point.

A-3. PV MODULE COMPONENTS**A-4. TILT ANGLE SELECTION**

The tilt angle of the PV module is measured between the surface of the PV module and a horizontal ground surface. The PV module generates maximum output power when it faces the sun directly. Five (5) degrees or more is recommended for the tilt angle (see A-6 Maintenance).

For standalone systems with batteries where the PV modules are attached to a permanent structure, the tilt angle of the PV modules should be selected to optimize the performance based on seasonal load and sunlight. In general, if the PV output is adequate when irradiance is low (e.g., winter), then the angle chosen should be adequate during the rest of the year. For grid-connected installations where the PV modules are attached to a permanent structure, PV modules should be tilted so that the energy production from the PV modules will be maximized on an annual basis.

A-5. ELECTRICAL INSTALLATION

To ensure proper system operation and maintain the warranty, be careful to observe the correct cable connection polarity (Figure 1) when connecting the modules to a battery or to other modules. If not connected correctly, the bypass diode(s) could be destroyed. All PV modules must be grounded by electrical connection of the module frames to ground. Care must be taken to arrange the system ground so that the removal of one module from the circuit will not interrupt the grounding of any of the other modules.

Cable characteristics

Cable category : PV Wire as described by UL Subject 4703
Cable size : 4mm²

For grounding, each PV module has a hole in the frame for either a bolt, nut and washer, a ground lug fastened by bolt or screw, or an appropriate screw (hardware not provided). Installation for wiring and grounding method shall be in accordance with national, regional and local codes, laws, standard, and the relevant instructions below. In a connection of this type, the hardware (such as a star washer) must score the frame surface to make positive electrical contact with the frame. The ground wire must not be smaller than No.12 AWG.

The National Electrical Code (NEC) 690.33 requires that connectors are installed in a readily accessible location, circuits operating at over 30 volts, shall require a tool to open. PV module's connectors comply with the NEC corresponding section.

Grounding

(1) Grounding Using Existing Ground Hole (Figure 2, GBL-4DBT)

1. Place Grounding lug (GBL-4DBT, IlSCO corp, E34440) onto the frame, making sure that the #8-32 or #10-32 ground bolt (Material; stainless steel) straddles the grounding hole.
2. Thread the lock nut (Material; stainless steel) and tooth washer onto the end of the bolt, tighten the nut. Recommended torque is between 2.0 and 2.2 Nm.
3. Insert the grounding wire into the lug. The grounding conductor wire should be sized according to national, regional and local codes, laws, and standards.
4. Fix the grounding wire by tightening the wire binding screw. This will terminate the wire.

Please contact "IlSCO corp." about detail information of "GBL-4DBT".

(2) Grounding Using Existing Ground Hole (Figure 3, 1954381-2)

The grounding clip (SolKlip grounding Clip Assemblies 1954381-2, Tyco electronics corp., E69905) assembly consists of a slider, base and #8-32 screw and hex nut (screw and hex nut are parts in component of 1954381-2).

1. Place the grounding onto the frame, making sure that the screw straddles the grounding hole.
2. Thread the hex nut onto the end of the screw, tighten the nut. Recommended torque is between 2.0 and 2.2 Nm.
3. Insert the grounding wire into the wire slot. Press down on both ends of the wire (the wire slot will cause the wire to form a slight curve). The grounding conductor wire should be sized according to national, regional and local codes, laws, and standards. Note that the TYCO SolKlip 1954381-2 only accepts wire sizes 10 -12 AWG.
4. Manually, or using channel lock pliers, push the slider over the base until it covers the base. This will terminate the wire.

Please contact "Tyco electronics corp." about detail information of "1954381-2"

A-6. MAINTENANCE

SHARP PV modules are designed for long life and require very little maintenance. If the angle of the PV module is 5 degrees or more, normal rainfall is usually sufficient to keep the module glass surface clean under most weather conditions. Do not touch the glass since finger prints or stains will easily mark the glass. For AR coating - Sharp modules utilize special materials to increase energy harvest. Always use gloves when handling the module, never touch the glass with bare hands. If dirt build-up becomes excessive, clean the glass surface with water only. If cleaning the back of the module is required, take utmost care not to damage the back side materials. In order to ensure proper operation of the system, please check all wiring connections and the condition of the wire insulation periodically.

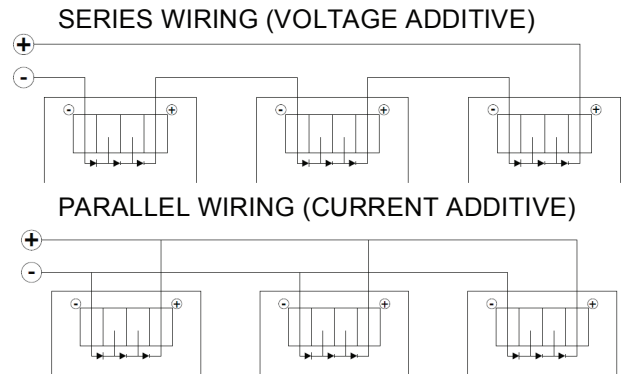


Figure 1

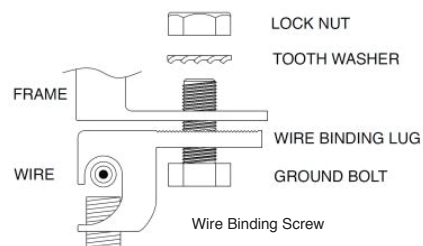


Figure 2 (IlSCO, GBL-4DBT)

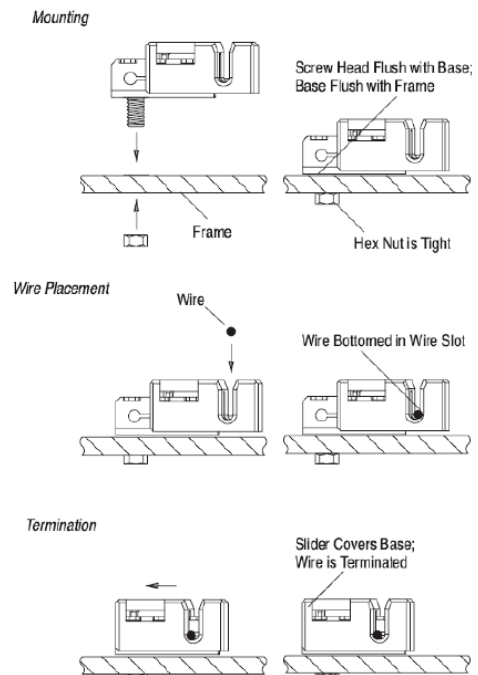


Figure 3 (Tyco Electronics Corp. 1954381-2)

B) MODULE SPECIFIC INSTRUCTIONS

MECHANICAL INSTALLATION

There are several approved ways to mount these Sharp PV modules to a support structure. They may be mounted either using the bolt holes provided or using frame clamps (not provided). Inter-module type or end-type clamps must be designed for PV modules and have minimum dimensions shown in Figure 4 & 5 and listed in Table I on the long sides of the module in accordance with the instructions below and drawings provided. To avoid shading and module damage, the clamp should be within frame coverage width. Further, the clamp should not extend higher than the level defined by an imaginary line drawn at 24 degrees from the module glass outward from the intersection of the frame and glass. Clamps should be made of aluminum, stainless steel or other appropriate material to resist weathering and galvanic corrosion. Sharp does not warranty frame clamps or take responsibility for any third party mounting system. Sharp does not warranty frame clamps. The Sharp module warranty may be void if customer-selected frame clamps or third party mounting system are improper or inadequate with respect to properties (including strength or material) or installation. Note that if metal clamps are used, there must be a path to ground from the clamps, (for instance, by using star washers in the hardware set). Please review the descriptions below and drawings carefully; not mounting the modules according to one of these methods may void your warranty. Additionally, UL has tested and listed these modules for mounting using either bolts or clamps. Mounting with clamps is considered to be equivalent to mounting with bolts and is acceptable under the same conditions as bolt mounting.

To provide adequate ventilation, modules must be mounted such that there is a minimum 50 mm gap between the bottom of the module frame and the roof deck/ground surface.

Mounting Using Frame Bolt Holes (Figures 6)

The modules may be fastened to a support utilizing the four 9 mm diameter holes in the bottom of the frame and according to Figure 6. The module should be fastened with four (4) M8 (5/16") bolts. Recommended torque value is 12.5 Nm. This mounting method is designed to a static load of 2400 Pa (50.1 lbs/ft²). For your reference, please use the washer specified as below for the minimum requirement:

We recommended parts of the following specifications.

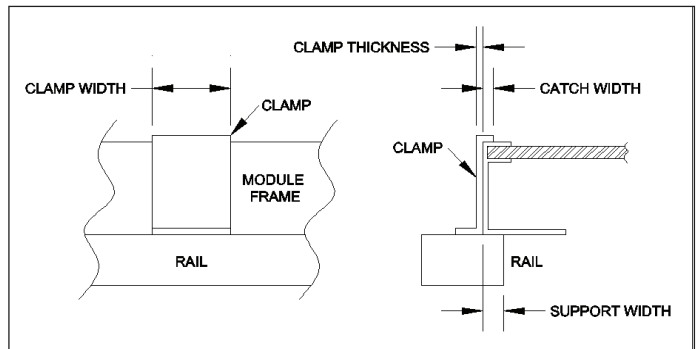
- | | |
|-------------------------------------|----------------------------|
| 1) Spring washer | 3) Bolt |
| Material: Stainless Steel | Material: Stainless Steel |
| Diameter: M8 (5/16") | Diameter: M8 (5/16")x20 mm |
| Thickness: 2 mm (reference value) | |
| 2) Washer | 4) Nut |
| Material: Stainless Steel | Material: Stainless Steel |
| Size: M8 (5/16") | Size: M8 (5/16") |
| Thickness: 1.6 mm (reference value) | |

Mounting Using Clamps on Long Edge of Module: Long Edge Parallel to Array Rails (Figures 4 & 8)

The modules may be mounted using clamps designed for solar modules as shown in Figure 4 and Table I. Note that the clamp positions are important – the clamp centerlines must be between 5.9" (150 mm) and 16.1" (410 mm) regarding ND/NU series as shown in Figure 8 from the end of the module. The module must be supported along the length of the long edge, and should overlap the array rail by at least 0.4" (10 mm). Note that the mounting clamps should meet the minimum dimensions as shown in Figure 4 and listed in Table I. The array rails must support the bottom of the modules and must be a continuous piece (no un-spliced breaks in the rail). This mounting method is designed to a static load rating of 2400 Pa (50.1 lbs/ft²).

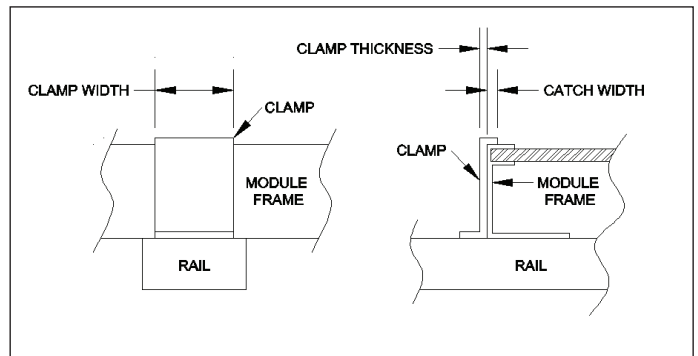
Mounting Using Clamps on Long Edge of Module: Long Edge Perpendicular to Array Rails (Figures 5 & 9)

The modules may also be mounted using clamps on the long sides of the module when the array rails are perpendicular to the long sides, as shown in Figure 5 and listed in Table I. The clamp centerlines must be between 5.9" (150 mm) and 16.1" (410 mm) regarding ND/NU series as shown in Figure 9 from the ends of the module. Note that the mounting clamps should meet the minimum dimensions as shown in Figure 5 and listed in Table I. The array rails must support the bottom of the modules and clamps, also must be continuous pieces (no un-spliced breaks in the rail). This mounting method is designed to a static load rating of 2400 Pa (50.1 lbs/ft²).



Rail parallel with long side of module

Figure 4



Rail perpendicular with long side of module

Figure 5

Table I. Minimum required dimensions

	Clamp Thickness Minimum (mm)	Clamp Width Minimum (mm)	Catch Width Minimum (mm)	Support Width Minimum (mm)
Option A	3.3 mm	38 mm	5 mm	10 mm
Option B	3.0 mm	43.6 mm	5 mm	10 mm

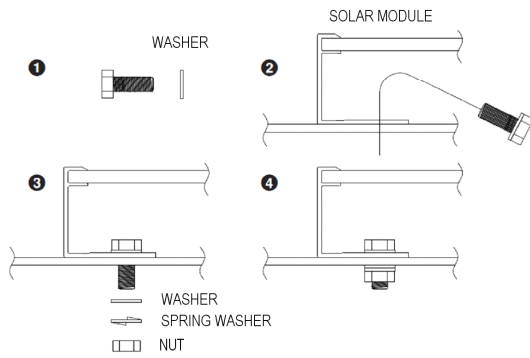


Figure 6

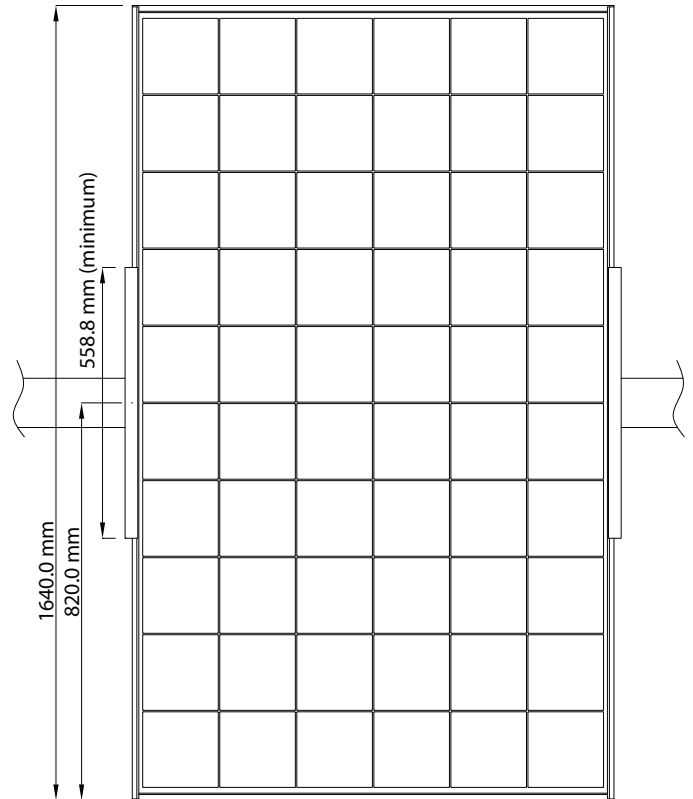


Figure 7

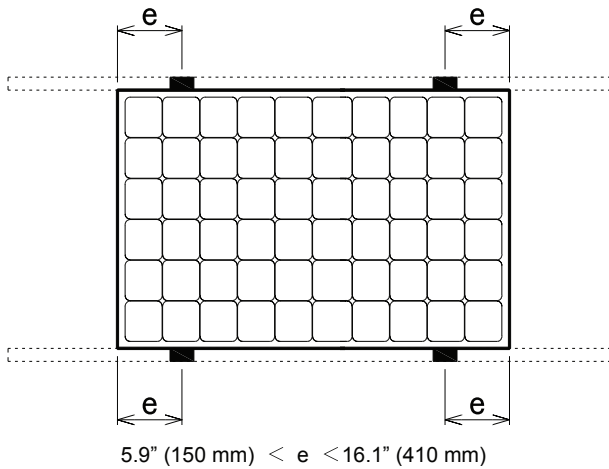


Figure 8

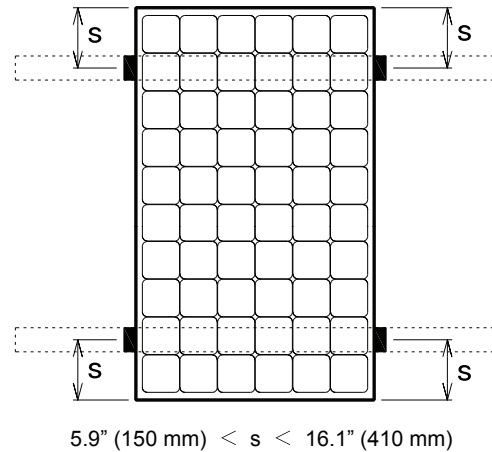


Figure 9

Mounting using Clamps on Long Edge of Module (Figure 7) – 2 Clamp Method

The modules may be mounted using clamps designed for solar modules as shown in Figure 7. Note the clamp position is important. The 22" length clamp should be positioned so that it supports the center of each long frame of the solar module. The clamp should be affixed to the modules and mounting structure with 4 bolts on each long frame. For the 2 clamp mount method, the minimum clamp length dimension is 22". The modules should be inserted fully into the module clamps so that the outside edge of the module frame is flush with the inside surface of the clamp. The clamp is designed to overhang the top module edge by 12mm. This mounting method is designed to allow module loading of 1,440 Pa.

C) ELECTRICAL INFORMATION

ELECTRICAL RATINGS

Rated electrical characteristics are within ±10 percent of the indicated values of Isc, Voc and within +5/-0 percent of Pmax under Standard Test Conditions (irradiance of 100 mW/cm², AM 1.5 spectrum, and a cell temperature of 25°C (77°F)). The warranty conditions are specified elsewhere in this manual.

	ND-255QCS	ND-250QCS	ND-245QCS
Maximum Power (Pmax)	255.0 W	250.0 W	245.0 W
Open-Circuit Voltage (Voc)	38.6 V	38.3 V	37.8 V
Short-Circuit Current (Isc)	9.0 A	8.9 A	8.9 A
Voltage at maximum power (Vpmax)	30.2 V	29.8 V	29.3 V
Current at maximum power (Ipmax)	8.45 A	8.4 A	8.36 A
Maximum System Voltage	600 V	600 V	600 V
Minimum Blocking diode	15 A	15 A	15 A
Series Fuse	15 A	15 A	15 A

	ND-250QCJ	ND-245QCJ	ND-240QCJ
Maximum Power (Pmax)	250.0 W	245.0 W	240.0 W
Open-Circuit Voltage (Voc)	38.3 V	37.8 V	37.5 V
Short-Circuit Current (Isc)	8.9 A	8.90 A	8.75 A
Voltage at maximum power (Vpmax)	29.8 V	29.3 V	29.3 V
Current at maximum power (Ipmax)	8.4 A	8.36 A	8.19 A
Maximum System Voltage	600 V	600 V	600 V
Minimum Blocking diode	15 A	15 A	15 A
Series Fuse	15 A	15 A	15 A

	ND-Q250F7	ND-Q245F7
Maximum Power (Pmax)	250.0 W	245.0 W
Open-Circuit Voltage (Voc)	38.3 V	37.8 V
Short-Circuit Current (Isc)	8.9 A	8.9 A
Voltage at maximum power (Vpmax)	29.8 V	29.3 V
Current at maximum power (Ipmax)	8.40 A	8.36 A
Maximum System Voltage	600 V	600 V
Minimum Blocking diode	15 A	15 A
Series Fuse	15 A	15 A

Under normal conditions, a PV module may produce more current and/or voltage than reported at Standard Test Conditions. Accordingly, the values of Isc and Voc marked on UL 1703 listed modules should be multiplied by a factor of 1.25 when determining component voltage ratings, conductor ampacities, fuse sizes and size of controls connected to the module output. Refer to Sec. 690-8 of the National Electrical Code for an additional multiplying factor of 125 percent (80 percent de-rating) which may be applicable. Where Canadian UL listing applies, installation shall be in accordance with CSA C22.1, Safety Standard for Electrical Installations, Canadian Electrical Code, Part 1.

USER MANUAL

IMPORTANT SAFETY INSTRUCTIONS

This manual contains important safety instructions for the PV module that must be followed during the maintenance of PV modules.

- 1) To reduce the risk of electric shock, do not perform any servicing unless you are qualified to do so.
- 2) The installation should only be performed by qualified licensed, professionals, including licensed electricians and licensed contractors. To ensure system integrity and safety
- 3) Do not pull the PV cables.
- 4) Do not touch any surface of module.
- 5) Do not place/drop objects onto the PV modules.
- 6) Do not disassemble or attempt to repair the PV module by yourself.
- 7) Do not drop the PV module.
- 8) Do not damage, pull, bend, or place heavy material on cables.
- 9) Upon completion of any service or repairs, ask the installer/servicer to perform routine checks to determine that the PV modules are in safe and proper operating condition.
- 10) When replacement parts are required, be sure the installer/servicer uses parts specified by the manufacturer with same characteristics as the original parts. Unauthorized substitutions may result in fire, electric shock, or other hazard.
- 11) Consult your local building and safety department for required permits and applicable regulations.
- 12) Sharp modules use special materials to enhance energy harvest. Do not touch the module surface with bare hands. If finger prints are left on the module glass surface, do not attempt to clean them, finger prints will disappear over time.

SHARP ELECTRONICS CORPORATION **PHOTOVOLTAIC MODULE LIMITED WARRANTY**

This Limited Warranty applies to photovoltaic modules manufactured by SHARP shown in this manual.

Limited Warranty For Materials or Workmanship: Sharp Electronics Corporation warrants to the first consumer purchaser that this Sharp brand product (the "Product"), when shipped in its original container, will be free from defective workmanship and materials, and Sharp agrees that for a period of ten (10) year from the date of purchase by the consumer, that Sharp will, at its option, either repair the defect or replace the defective Product or part thereof with a new or remanufactured equivalent at no charge to the purchaser for parts or labor for the period(s) set forth below.

Limited Warranty For Power: The warranty period with respect to power output continues for a total of 25 years from date of purchase by the consumer, the first 10 years at 90% minimum rated power output and the balance of 15 years at 80% minimum rated power output. This warranty is transferable when product remains installed in original location at the time of product warranty registration.

This warranty does not apply to any alteration of the appearance of the Product that does not affect the performance or functionality of the Product, nor to the additional excluded item(s) set forth below nor to any Product, in Sharp's sole discretion, the exterior of which has been damaged or defaced, which has been subjected to misuse, abnormal service or handling, or which has been altered or modified in design or construction.

In order to enforce the rights under this limited warranty, the purchaser should follow the steps set forth below and provide proof of purchase to the servicer.

The limited warranty described herein is in addition to whatever implied warranties may be granted to purchasers by law. ALL IMPLIED WARRANTIES INCLUDING THE WARRANTIES OF MERCHANTABILITY AND FITNESS FOR USE ARE LIMITED TO THE PERIOD(S) FROM THE DATE OF THE PURCHASE SET FORTH BELOW. Some states do not allow limitations on how long an implied warranty lasts, so the above limitation may not apply to you.

Neither the sales personnel of the seller nor any other person is authorized to make any warranties other than those described herein, or to extend the duration of any warranties beyond the time period described above on behalf of Sharp.

The warranties described herein shall be the sole and exclusive warranties granted by Sharp and shall be the sole and exclusive remedy available to the purchaser. Correction of defects, in the manner and for the period of time described herein, shall constitute complete fulfillment of all liabilities and responsibilities of Sharp to the purchaser with respect to the Product and shall constitute full satisfaction of all claims, whether based on contract, negligence, strict liability or otherwise. In no event shall Sharp be liable, or in any way responsible, for any damages or defects in the Product which were caused by repairs or attempted repairs performed by anyone other than an authorized servicer. Nor shall Sharp be liable or in any way responsible for any incidental or consequential economic, property or special damage. Some states do not allow the exclusion of incidental or consequential damages, so the above exclusion may not apply to you.

THIS WARRANTY GIVES YOU SPECIFIC LEGAL RIGHTS. YOU MAY ALSO HAVE OTHER RIGHTS, WHICH VARY FROM STATE TO STATE.

Additional Item(s) Excluded from Warranty Coverage

Warranty coverage does not apply when:

- a) The product is installed or repaired or serviced in a manner that is contrary to Sharp's Installation Manual;
- b) The product is installed in a mobile or marine environment,
- c) The product is subjected to improper voltage or power surges or abnormal environmental conditions (such as acid rain or other pollution);
- d) The components in the construction base on which the module is mounted are defective;
- e) External corrosion, mold discoloration or the like occurs;
- f) The product has been moved from its original installation;
- g) The model number or serial number of the product is altered, removed or rendered illegible.

Sharp's aggregate liability in connection with the Product, if any, shall not exceed the purchase price paid to Sharp for the Product or service which gave rise to the claim under the Limited Warranty.

The repair, replacement of the Product, or the supply of additional Product does not cause the beginning of new warranty terms, nor shall the original warranty terms of this Limited Warranty be extended. Any replaced product shall become Sharp's property

<p><u>Where to Obtain Service:</u></p>	<p>Warranty service is available at a Sharp Authorized Service Center Dealer located in the United States. To find the location of the nearest Sharp Authorized Service Center Dealer, call Sharp toll free at 1-800 SOLAR06 (800-765-2706).</p> <p>Call toll free at 1-800-765-2706 to obtain a Return Authorization Number and shipping instructions. Proof of Purchase will be required.</p>
<p><u>What to do to Obtain Service:</u></p>	<p>Ship prepaid your Product to a Sharp Authorized Service Center Dealer. Be sure to have Proof of Purchase available. If you ship the Product, be sure it is insured and packaged securely. Sharp will not be responsible for damage incurred during transport.</p>



SHARP ELECTRONICS CORPORATION
Sharp Plaza, Mahwah, New Jersey 07495-1163