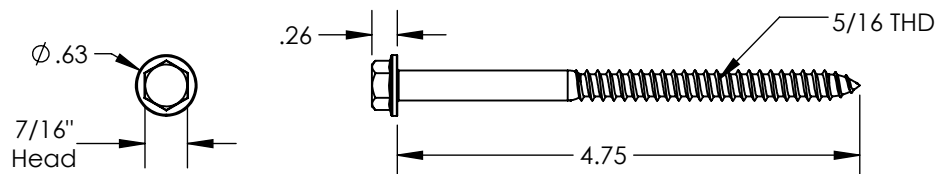


ITEM NO.	DESCRIPTION	Qty in Kit
1	BOLT LAG 5/16 X 4.75"	4
2	ASSY, FLASHING	4
3	ASSY, CAPFOOT	4
4	WASHER, EPDM BACKED	4

FLASHFOOT2

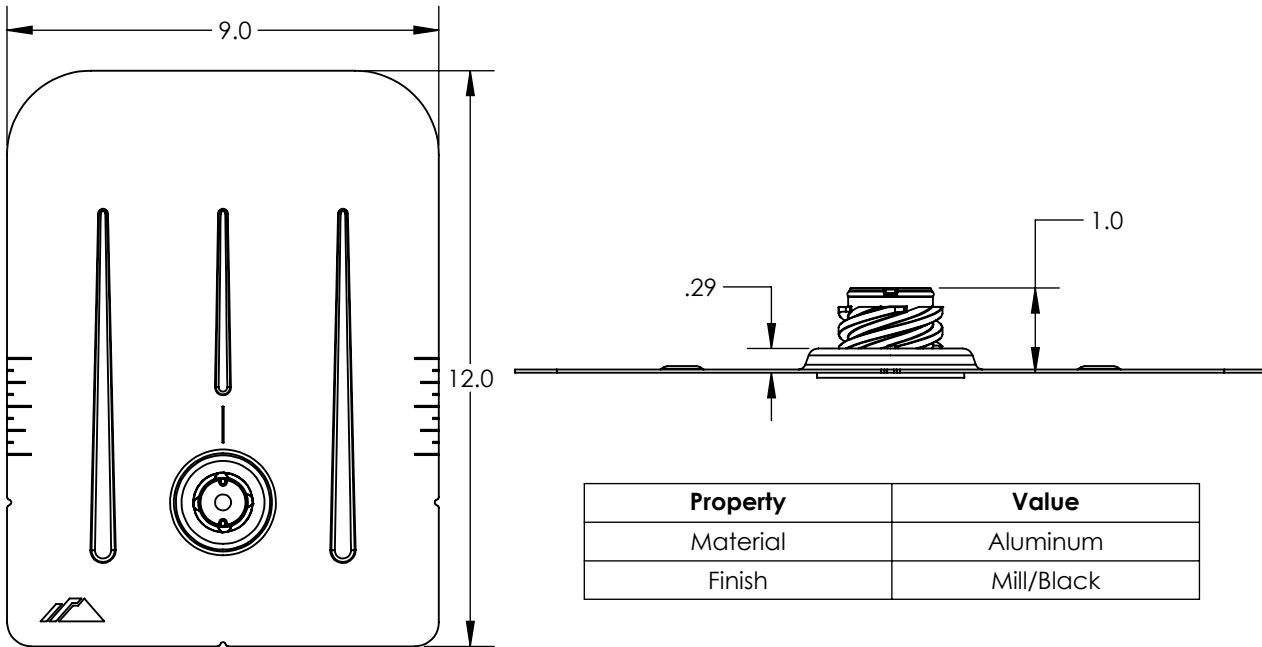
Part Number	Description
FM-FF2-001	Kit, 4pcs, FlashFoot2 (Mill)
FM-FF2-001-B	Kit, 4pcs, FlashFoot2 (Black)

1) Bolt, Lag 5/16 x 4.75



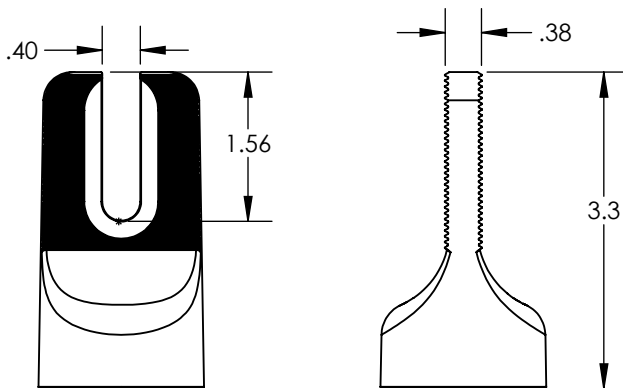
Property	Value
Material	300 Series Stainless Steel
Finish	Clear

2) Assy, Flashing



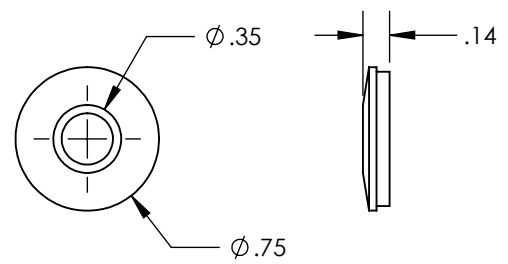
Property	Value
Material	Aluminum
Finish	Mill/Black

3) Assy, Capfoot



Property	Value
Material	Aluminum
Finish	Mill/Black

4) Washer, EPDM Backed



Property	Value
Material	300 Series Stainless Steel
Finish	Clear