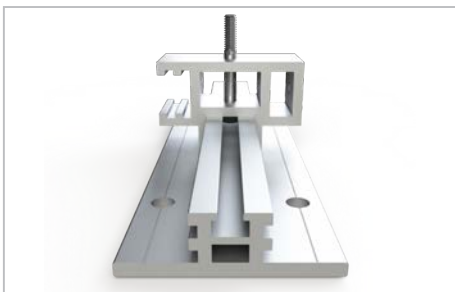
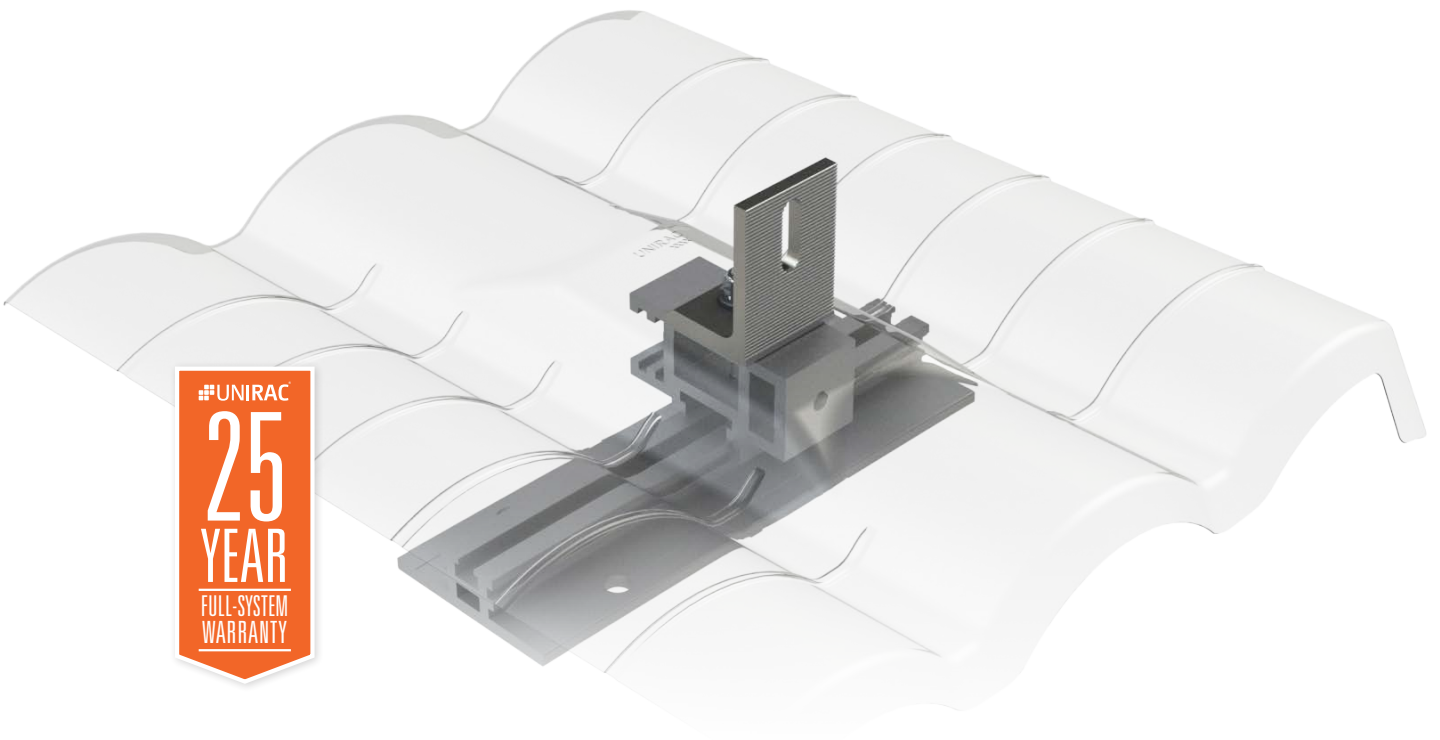


# FLASHKIT TR

TILE REPLACEMENT FOR SOLARMOUNT



**FLASHKIT TR** is the complete tile replacement solution for tile roofs. UNIRAC combines **3x3** versatility and performance in one package. A Universal Base with three height configurations integrates with a selection of three flashing shapes and three flashing colors to match your tile roof, while UNIRAC's patented **WATER SEAL** technology provides the ultimate protection against leaks. Kitted in 10 packs for maximum convenience, with **FLASHKIT TR**, you have everything you need for a quick, professional installation.



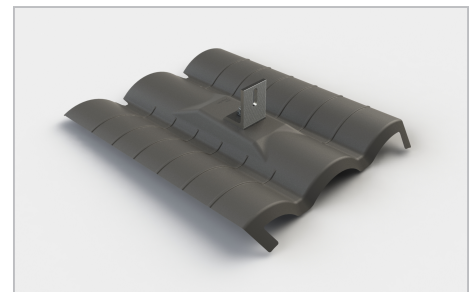
## STRENGTH

Universal Base with 3 height configurations is more than 4X stronger than tile hook style attachments.



## VERSATILITY

Select Flat, Spanish, or W-shaped Tile profiles in Adobe, Charcoal, or Mill color to match your project roof.



## TRUSTED WATER SEAL

Patented Weather Seal Technology prevents leaks. Optional sub flashing available for added protection.

# THE COMPLETE TILE REPLACEMENT SOLUTION

FOR QUESTIONS OR CUSTOMER SERVICE VISIT [UNIRAC.COM](http://UNIRAC.COM) OR CALL (505) 248-2702

# FLASHKIT TR

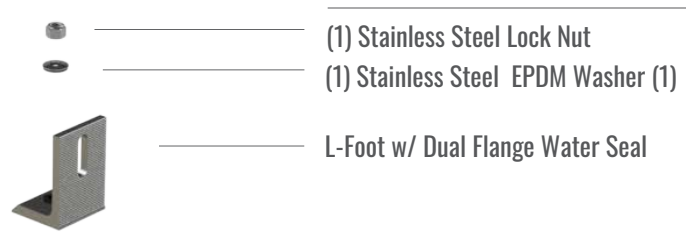
TILE REPLACEMENT FOR SOLARMOUNT



**FLASHKIT TR** is kitted in (10) Packs for maximum convenience and has everything you need for a quick, professional installation. Select a Part # by the Tile Replacement Shape and Color to match your project roof.

PART#	SHAPE	COLOR
004TRFA	Flat	Adobe
004TRFD	Flat	Charcoal
004TRFM	Flat	Mill
004TRSA	Spanish	Adobe
004TRSD	Spanish	Charcoal
004TRSM	Spanish	Mill
004TRWA	W	Adobe
004TRWD	W	Charcoal
004TRWM	W	Mill

## KIT INCLUDES:



- (1) Stainless Steel Lock Nut
- (1) Stainless Steel EPDM Washer (1)
- L-Foot w/ Dual Flange Water Seal



(1) Tile Replacement (Shape and color varies by Part # – see table)



### FLAT TILE ROOFS

Set the Tiered Riser to its lowest height setting on the Base Plate to mount Flat Tile Replacements.



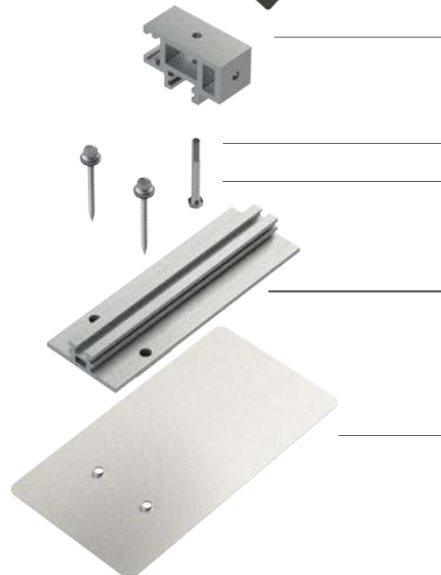
### SPANISH TILE ROOFS

Set the Tiered Riser to its tallest height setting on the Base Plate to mount Spanish Tile Replacements.



### W TILE ROOFS

Set the Tiered Riser to its lowest height setting on the Base Plate to mount W-Shaped Tile Replacements.



- (1) Tiered Riser
- (1) Stainless Steel Riser Bolt w/ Pre-Applied Anti-Seize
- (2) Stainless Steel Lag Bolts
- (1) Base Plate w/ Pre-Applied Butyl Patch
- (Optional Sub Flashing: Part #004TRSF. Not included in Kit)

NOTE: Tiered Riser and Base Plate are 6000 Series Aluminum  
Tile Replacement and Optional Sub Flashing are 5000 Series Aluminum

# THE COMPLETE TILE REPLACEMENT SOLUTION

FOR QUESTIONS OR CUSTOMER SERVICE VISIT [UNIRAC.COM](http://UNIRAC.COM) OR CALL (505) 248-2702