

EVlink™ Electric Car Charging Stations

Powering the Future of Sustainable Mobility

Catalog
2800CT1001 R09/15

2015

Class 2800



CONTENTS

Description	Page 2
Home Car Charging	Page 3
Outdoor Basic Car Charging	Page 6
Wall-Mount	Page 6
Pedestal-Mount	Page 7
RFID Accessories (Required for RFID Models)	Page 10
Outdoor Cloud Connected Charging	Page 12
Network Services	Page 15
DC Fast Charger	Page 17
Network Services	Page 18

Description

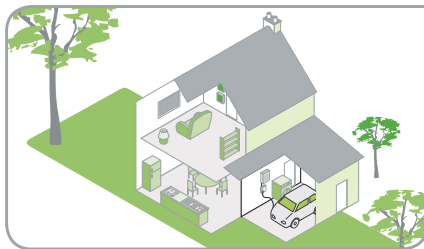
Smart Charging, Smart Savings, Smart Grid

EVlink electric car charging stations offer convenient ways for EV drivers to get charged at home, at work, and in public and private parking locations.

EVlink is durable and “smart” with features that provide an enhanced charging experience for both the station owners and drivers. The EVlink level 2 and level 3 EVSE have been tested for auto and grid interoperability by major Auto Original Equipment Manufacturers and utilities.

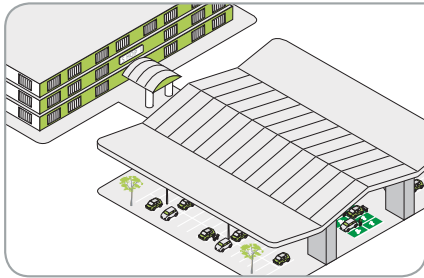
Our team of EVlink experts are dedicated to saving you time and resources with EV readiness planning, local and nationwide site auditing and project management, enabling an EV charging infrastructure that is sustainable, reliable and scalable.

To discover the power of charging, call us at 888-778-2733 (Option 1, Option 1, Option 6).



Home EV Charging

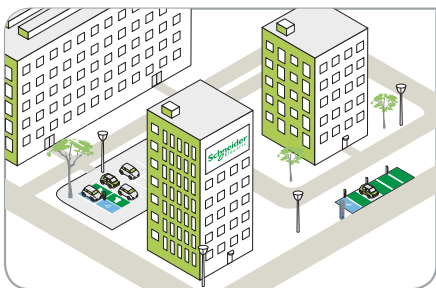
EVlink Home Charging Stations provide a convenient way to charge at home. Rated for indoor safety, the intuitive design features a delay timer that you can set-and-go to save money, time and energy (kWh).



Commercial EV Charging

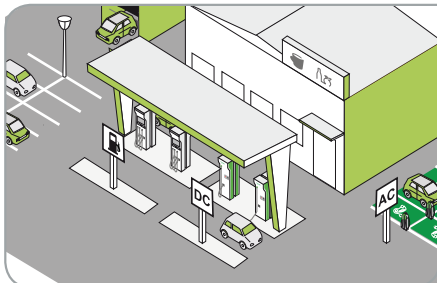
EVlink Basic charging stations offer an easy way to charge away from home. Rated for outdoor durability, its minimalistic design features access control with or without RFID card usage.

EVlink Cloud Connected charging stations offer simplified billing and payment processing, remote monitoring and diagnostics, rate scheduling, and utilization analysis. Driver benefits include station locator mobile app, large LCD screen displaying step-by-step charging instructions, and hotline support available 24/7.



EVlink DC Fast charging stations connect major cities and compliment a fast-paced lifestyle. With its network capabilities (OCPP 1.5), large LCD screen, and dual connection (CHAdeMO and SAE Combo), EVlink DC Fast makes fast charging convenient for drivers and station operators.

Service Packages provide three years of total care for EVlink Cloud Connected and EVlink DC Fast - both networked models. This tiered offer bundles in the network Subscription Plan (required), activation and commissioning, and full service warranty; can also include ongoing preventative maintenance, break-fix discounts, guaranteed response time, and expedited parts replacement.



Home Car Charging

Features



Interface:

- Segmented charge and delay charge progress indicator
- Stop Button and Indicator
- Power status and system detected fault indicator
- Delay button and indicator

Enclosure:

- Non-metallic
- Indoor wall-mount (stud, drywall, or masonry wall)
- Personalization available with free skin

Protection:

- Integral Ground Fault Protection:
 - EV230WS 20 mA
- Ground fault function tested before each charge cycle begins
- Auto restart after ground fault or main power loss

Cable Holder:

- Supports and helps organize the cable
- Independently mounted from enclosure

Connector and Cord:

- Complies with SAE J1772
- Cable length: 18 ft. (5.5 meter)

EV230WS

Indoor Charging Stations
Residential Applications



EV230WS
(shown with skin)

NOTE: Use on vehicles with an SAE J1772 compliant connector with silver plated contacts only. Go to www.schneiderelectric.us/sites/us/en/support/documents-downloads.page or call 1-888-778-2733 for a list of compatible vehicles.

Catalog Numbers

Table 1: Indoor Charging Station—Wall-Mount

Catalog Number	Input Voltage System	Output Current	Mounting Type	Charging Units	Application	Features
EV230WS	208–240 V ac	30 A ¹	Wall	Single	Indoor	Delay Start

¹ Feeder circuit breaker size = 40 A.

Technical Specifications

Figure 1: Indoor Charging Station Wiring Diagrams

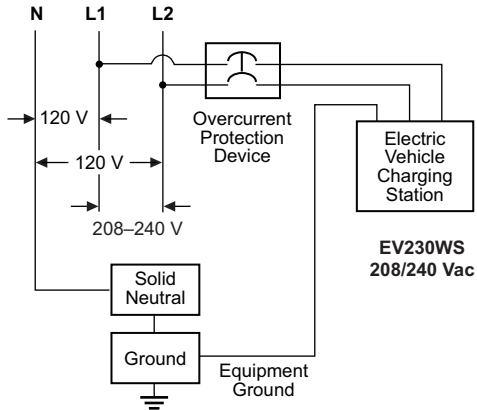


Table 2: Indoor Charging Stations

Power Specifications	
Input Power	208–240 V ac, single-phase, 60 Hz, 30 A maximum
Input Power Connection	Line 1, Line 2, and Ground
Feeder Circuit Breaker	2-pole, 40 A, non-GFCI type
Output Power	208–240 V ac, 30 A, 7.2 kW max.

Physical Specifications	
Enclosure Type	Type 1 (Indoor only)
Enclosure Dimensions	See dimensions on Page 5
Enclosure Mounting	Wall-mount
Cable Type	SAE J1772
Cable Length	18 ft. (5.5 m)
Cable Management	Non-retractable, separate from the enclosure
Shipping Weight	17.0 lbs. (7.71 kg)

User Interface	
Power Available	Status indicator
Charging	Eight-segment progress indicator
Ground Fault	Red status indicator
System Detected Fault	Push button and red stop indicator
Delay Start	Push button to delay up to eight hours, in one-hour increments

Protection		
Ground Fault Protection	EV230WS	Integral, CCID 20 mA, auto reset
Ground Fault Protection System Test		Automatic at the beginning of each charge cycle

Environmental	
Operating Temperature	-22°F to 131°F (-30°C to 55°C)
Electro-static Discharge	15 kV open air, 8 kV contact
Surge	6 kV
Radiated Immunity	20 V/m
Conducted Immunity	20 V
Electrical Fast Transient/Burst (EFTB)	2 kV
Emissions	FCC Class B

Standards Compliance	
NEC Article 625	
SAE J1772	
UL 2594	
CSA 22.2	

NOTE: Use on vehicles with an SAE J1772 compliant connector with silver plated contacts only. Go to www.schneiderelectric.us/sites/us/en/support/documents-downloads.page or call 1-888-778-2733 for a list of compatible vehicles.

Dimensions—Indoor Wall-Mount Charging Stations

Figure 2: Indoor Wall-Mount Charging Station

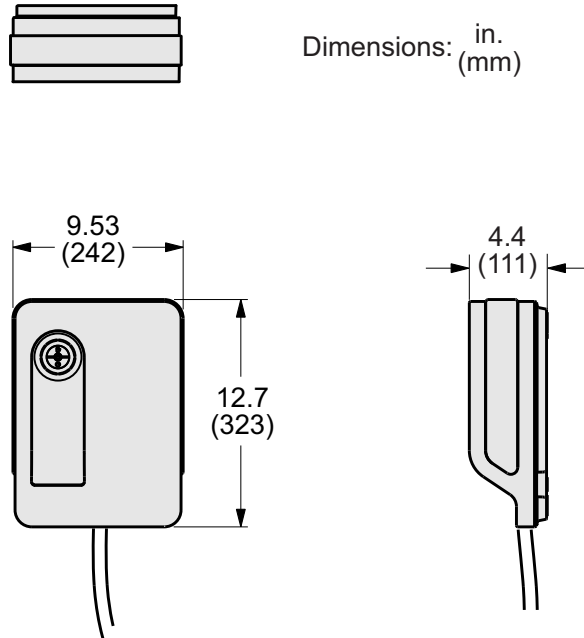
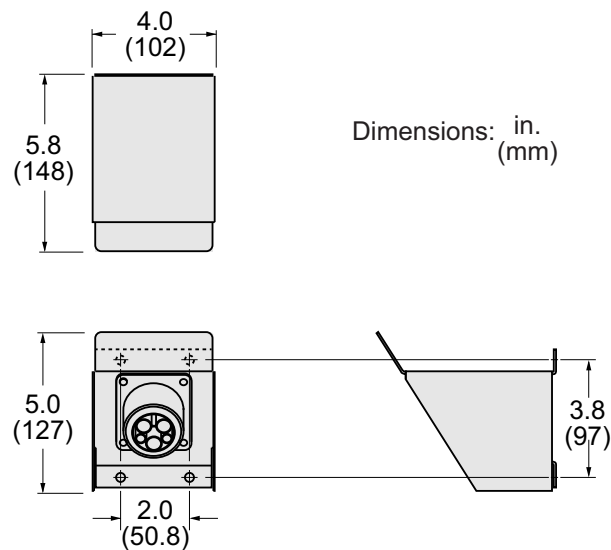


Figure 3: Wall-Mount Cable Bracket with Connector Dock



Outdoor Basic Car Charging

Wall-Mount

Features

Interface:

- Power status
- Charge indicator
- System detected fault indicator

Authentication:

- Localized RFID solution (optional)

Cable Holder:

- Connector dock
- Supports and helps organize the cable
- Independently mounted from enclosure



Protection:

- Integral Ground Fault Protection at 20 mA
- Ground fault function tested before each charge cycle begins
- Auto restart after ground fault or main power loss

Enclosure:

- Metallic enclosure
- Indoor/outdoor wall-mount

Connector and Cord:

- Complies with SAE J1772
- Cable length: 18 ft. (5.5 meter)

**Basic Wall-Mount with RFID
(EV230WSRR)**

Residential and Commercial Applications

NOTE: Use on vehicles with an SAE J1772 compliant connector with silver plated contacts only. Go to www.schneiderelectric.us/sites/us/en/support/documents-downloads.page or call 1-888-778-2733 for a list of compatible vehicles.

Catalog Numbers

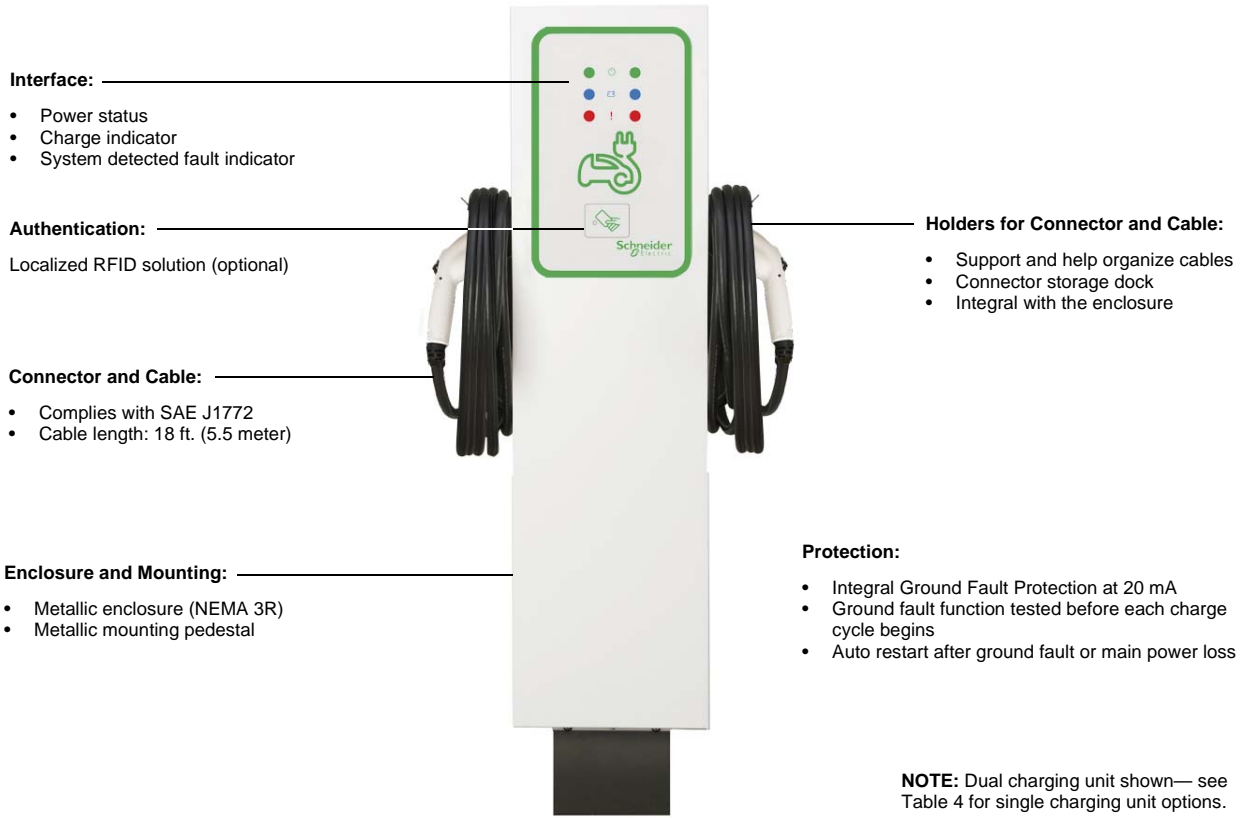
Table 3: Outdoor Charging Stations—Wall-Mount

Catalog Number	Input Voltage System	Output Current	Mounting Type	Charging Units	Application	Features
EV230WSR	208–240 Vac	30 A ¹	Wall	Single	Indoor/Outdoor	—
EV230WSRR	208–240 Vac	30 A ¹	Wall	Single	Indoor/Outdoor	RFID (basic)

¹ Feeder circuit breaker size = 40 A.

Pedestal-Mount

Features



Basic Pedestal-Mount with RFID (EV230PDRR)

NOTE: Dual charging unit shown— see Table 4 for single charging unit options.

NOTE: Use on vehicles with an SAE J1772 compliant connector with silver plated contacts only. Go to www.schneiderelectric.us/sites/us/en/support/documents-downloads.page or call 1-888-778-2733 for a list of compatible vehicles.

Catalog Numbers

Table 4: Outdoor Charging Stations—Pedestal-Mount

Catalog Number	Input Voltage System	Output Current	Mounting Type	Charging Units	Application	Authentication
EV230PSR	208–240 V ac	30 A ¹	Pedestal	Single	Outdoor	—
EV230PDR				Dual		—
EV230PSRR				Single		RFID (basic)
EV230PDRR				Dual		RFID (basic)

¹ Feeder circuit breaker size = 40 A per charging port.

NOTE: See page 15 for required accessories. Technical Specifications.

EVlink™ Electric Car Charging Stations



Outdoor Basic Wall-Mount



Outdoor Basic Pedestal-Mount Units

Table 5: Outdoor Basic Wall-Mount and Pedestal-Mount Charging Stations

Power Specifications (Each charging unit)	
Input Power	208–240 Vac, 30 A, single phase, 60 Hz
Input Power Connection	Line 1, Line 2, and Ground
Feeder Circuit Breaker	2-pole, 40 A, non-GFCI type
Output Power	208–240 Vac, 30 A

Physical Specifications		
Enclosure Type	Type 3R	
Enclosure Dimensions	See dimensions on Page 9	
Enclosure Mounting	Wall or Pedestal	
Cable Type	SAE J1772	
Cable Length	18 ft. (5.5 m)	
Cable Management	Non-retractable, integral with the enclosure	
Unit Options / Shipping Weights	Single unit (Wall-mount)	38 lbs. (17 kg)
	Single unit (Pedestal-mount)	92 lbs. (42 kg)
	Dual unit (Pedestal-mount)	106 lbs. (48 kg)

User Interface	
Power Available	Status indicator
Charging	Blinking blue indicator
System Detected Fault	Red status indicator

Authentication	
Type	Basic RFID authentication card
Programming	Radio frequency remote control

Protection	
Ground Fault Protection	Integral, CCID 20 mA, auto reset
Ground Fault Protection System Test	Automatic test at the beginning of each charge cycle

Environmental	
Operating Temperature	-22°F to 131°F (-30°C to 55°C)
Electro-static Discharge	15 kV open air, 8 kV contact
Surge	6 kV
Radiated Immunity	20 V/m
Conducted Immunity	20 V
Electrical Fast Transient/Burst (EFTB)	2 kV
Emissions	FCC Class B

Standards Compliance	
NEC Article 625	
SAE J1772	
UL 2594	
CSA 22.2	

Dimensions

Figure 4: Outdoor Wall-Mount Charging Station

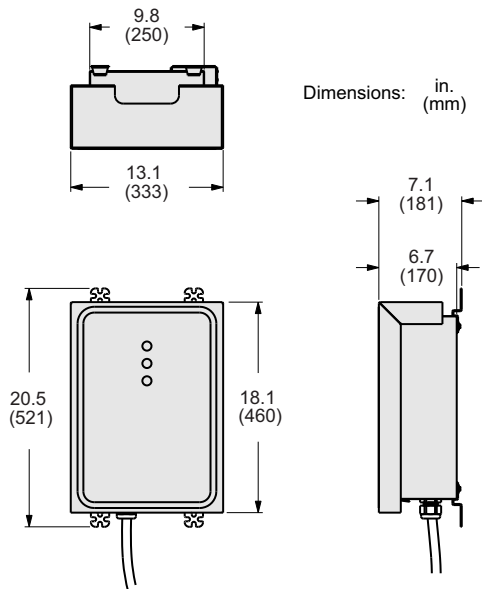


Figure 5: Wall-Mount Cable Bracket with Connector Dock

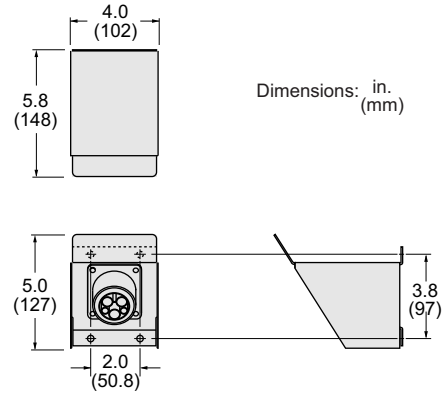
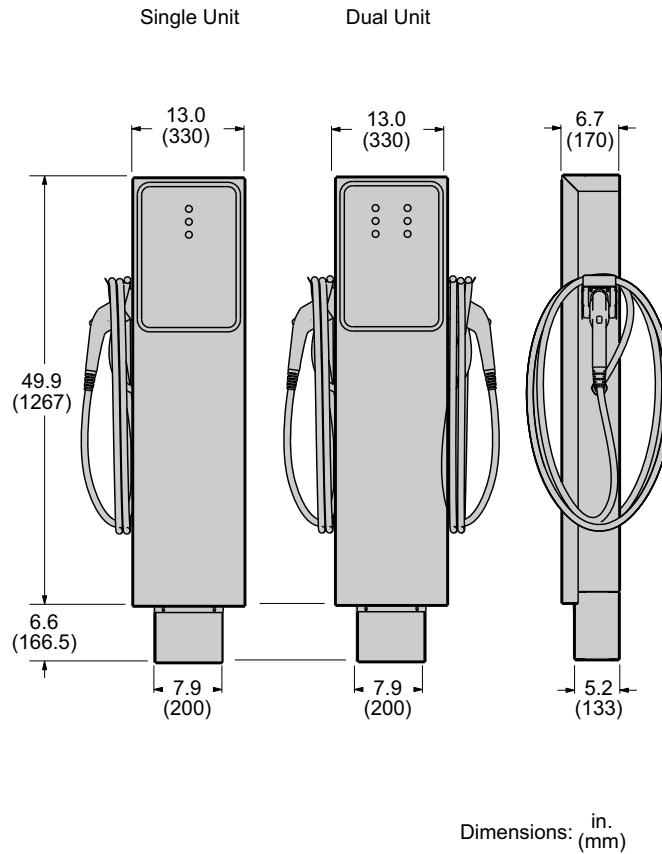


Figure 6: Basic Pedestal-Mount Charging Stations



RFID Accessories

RFID accessories are required for EV230PDRR, EV230PSRR, EV230WSRR Level 2 Schneider Electric EV charging stations consisting of the following accessories:

- Handheld Programmer (EVRFIDHP)
- RFID Authentication Cards (EVRFIDKF, quantities of 10)

Handheld Programmer



EVRFIDHP

Features

- Used to add and remove users
- One needed for total charging station system
- Connects via radio frequency
- Feedback via audio tone and LED indicator on Proximity Reader
- 4-digit PIN access

Technical Specifications

Frequency	125 kHz / 62.5 kHz
Dimensions	See dimensions on Page 11
Weight	7 oz. (200 g)
Operating Temperature	-22°F to 131°F (-30°C to 55°C)
Color	Black
Material	ABS

Description	Catalog Number
RFID Handheld Programmer	EVRFIDHP

RFID Authentication Cards



EVRFIDKF-10

Features (EVlink Basic only)

- Wallet friendly
- Robust and durable design
- Unique ID codes

Technical Specifications

Frequency	125 kHz / 62.5 kHz
Weight	0.31 oz. (8.8 g)
Operating Temperature	-40°F to 158°F (-40°C to +70°C)
Humidity	0–100% non-condensing
Material	ABS

Description	Catalog Number
RFID Authentication Card (Quantity of 10)	EVRFIDKF-10

* RFID = Radio Frequency Identification.

RFID Accessory Dimensions (basic only)

Figure 7: Handheld Programmer for Level 2 RFID Units

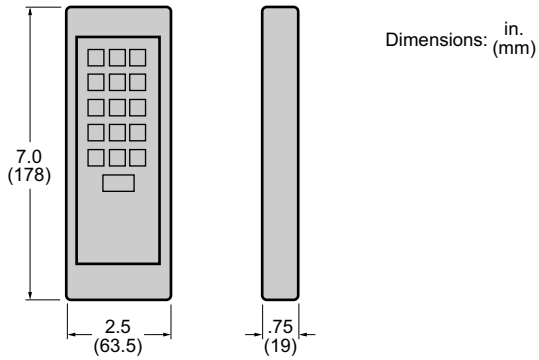
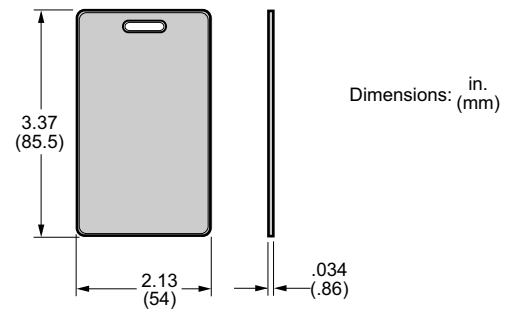


Figure 8: RFID Authentication Cards



Outdoor Cloud Connected Charging

Features

Network Connectivity (gateway unit, two antennae):

- Wireless communication to server via cellular network
- IEEE 802.15.4 wireless communication with non-gateway units
- Station location and occupancy status via network
- Remote monitoring of status and power usage
- Enables remote maintenance services

NOTE: At least one gateway unit is required for each cluster of Cloud Connected charging stations within a 150 ft. line of sight. A gateway unit establishes a cellular connection for each non-gateway (Cloud Connected) unit on a cluster. A gateway unit is required for a single-unit installation.

Interface:

- Backlit color LCD screen displays charging instructions, charging status, and usage fees
- Red indicator lights on front panel for system detected faults

Authentication:

- ChargePoint® card or Contactless credit card
- Track customer usage history
- Optional payment by time/energy usage

Enclosure and Mounting:

- Metallic enclosure
- Metallic mounting pedestal

NOTE: Use on vehicles with an SAE J1772 compliant connector with silver plated contacts only. Go to www.schneiderelectric.us/sites/us/en/support/documents-downloads.page or call 1-888-778-2733 for a list of compatible vehicles.

NOTE: Service plan required. See Page 15 for details.

Network Connectivity (non-gateway units, single antenna):

- IEEE 802.15.4 wireless communication with gateway unit
- 150 ft (45 m) near line of sight communication range

Holders for Connector and Cable:

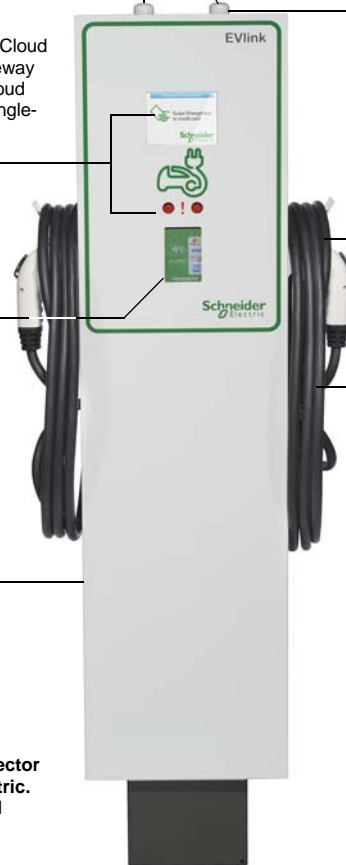
- Support and help organize cables
- Connector storage dock
- Integral with the enclosure

Connector and Cable:

- Complies with SAE J1772
- Cable length: 18 ft. (5.5 meter)

Protection:

- Integral Ground Fault Protection at 20 mA
- Ground fault function tested before each charge cycle begins
- Auto restart after ground fault or main power loss



Cloud Connected Pedestal-Mount with Gateway (EV230PDRACG)

NOTE: Dual gateway charging unit shown—see Table 6 (below) for single charging unit and non-gateway options.

Catalog Numbers

Table 6: Outdoor Cloud Connected Charging Stations¹

Catalog Number	Unit Type	Input Voltage System	Output Current	Mounting Type	Charging Units	Country
EV230PSRACG	Gateway	208–240 V ac	30 A ²	Pedestal	Single	US only
EV230PSRACNG	Non-Gateway			Pedestal		US and Canada
EV230PDRACG	Gateway			Pedestal	Dual	US only
EV230PDRACNG	Non-Gateway			Pedestal		US and Canada
EV230PSRACGC	Gateway			Pedestal	Single	Canada only
EV230PDRACGC				Pedestal	Dual	Canada only
EV230WDRACG				Wall		US only
EV230WDRACNG	Non-Gateway			Wall	Dual	US and Canada
EV230WDRACGC	Gateway			Wall		Canada only

¹ Service plan required. See Page 15 for details.

² Feeder circuit breaker size = 40 A.

Technical Specifications



Cloud Connected
Pedestal-Mount



Cloud Connected
Wall Mounted Unit

Table 7: Outdoor Cloud Connected Pedestal and Wall Mounted Charging Stations

Power Specifications (Each charging unit)	
Input Power	208–240 Vac, 30 A, single phase, 60 Hz
Input Power Connection	Line 1, Line 2, and Ground
Feeder Circuit Breaker	2-pole, 40 A, non-GFCI type
Output Power	208–240 Vac, 30 A

Physical Specifications		
Enclosure Type	Type 3R	
Enclosure Dimensions	See dimensions on Page 14	
Enclosure Mounting	Pedestal	
Cable Type	SAE J1772	
Cable Length	18 ft. (5.5 m)	
Cable Management	Non-retractable, integral with the enclosure	
Unit Options / Shipping Weights	Single networked unit (gateway)	101 lbs.
	Single networked unit (non-gateway)	(45.8 kg)
	Dual networked unit (gateway)	115 lbs.
	Dual networked unit (non-gateway)	(52 kg)

User Interface	
Charging Instructions and Status	Backlit LCD color display
Error Messages	Backlit LCD color display
System Detected Fault	Red indicator light(s) on front panel

Authentication	
Option 1	ChargePoint card
Option 2	Contactless Credit card
Programming	ChargePoint cellular network system

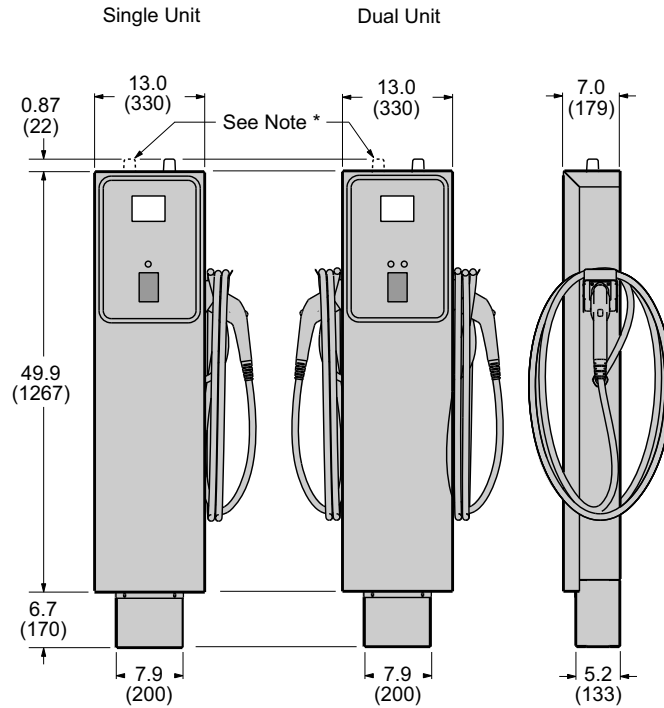
Protection	
Ground Fault Protection	Integral, CCID 20 mA, auto reset
Ground Fault Protection System Test	Automatic test at the beginning of each charge cycle

Environmental	
Operating Temperature	-22°F to 104°F (-30°C to 40°C)
Electro-static Discharge	15 kV open air, 8 kV contact
Surge	6 kV
Radiated Immunity	20 V/m
Conducted Immunity	20 V
Electrical Fast Transient/Burst (EFTB)	2 kV
Emissions	FCC Class A

Standards Compliance	
NEC Article 625	
SAE J1772	
UL 2594	
CSA 22.2	

Dimensions—Outdoor Cloud Connected Charging Stations

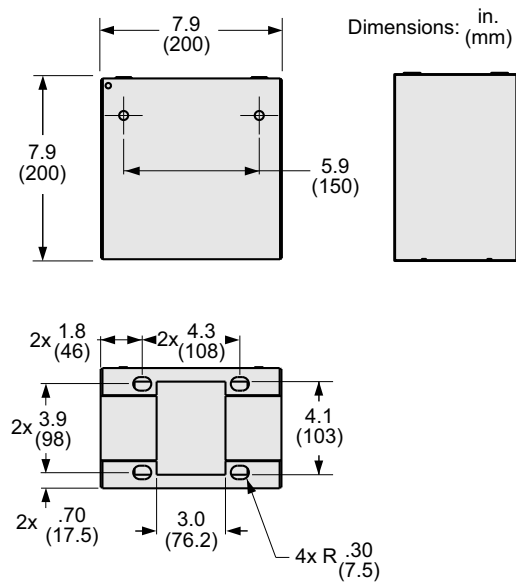
Figure 9: Cloud Connected Pedestal-Mount Charging Stations



* NOTE: Left antenna is present on gateway units only

Dimensions: in.
(mm)

Figure 10: Pedestal Base for Outdoor Charging Stations



Network Services for EV Cloud Connected

Subscription Plans provide Cloud Connected (Networked) station owners the ability to remotely manage their EV charging stations with features including flexible management tools, in-depth data analysis, payment processing, and 24/7 driver support.

Subscription Plans—or a Service Package (page 16)—are required with every purchase of a EVlink Cloud Connected unit.

One Subscription Plan per cord set (connector) is needed. For example, a dual pedestal unit—which has two cord set Connectors—would require two Subscription Plans.

Types of Subscription Plans

There are six types of Subscription Plans offered:

Catalog Number ¹	Type	Service Length	Features	
EVNETCOMM1	Commercial	1 year	<ul style="list-style-type: none"> Set pricing flexibility Provide multiple payment options Collect payment automatically Offer reservations Advertise Report revenue 	
EVNETCOMM2		2 year		
EVNETCOMM3		3 year		
EVNETSP1	Service Provider	1 Year		All capabilities of Commercial, plus: <ul style="list-style-type: none"> Create driver-branded website Manage energy load Analyze driver use patterns
EVNETSP2		2 Year		
EVNETSP3		3 Year		

¹ Required with purchase of Cloud Connected units.

Accessories

Catalog Number	Description
EVNETKF50	ChargePoint cards (Quantity of 50)

EVlink™ Electric Car Charging Stations

Type of Service Packages

Schneider Electric EV Service Packages bundle in the Subscription Plan with ongoing preventative maintenance, extended warranty, and critical turnaround services to ensure optimized performance of level 2 electric vehicle charging stations. Preventative maintenance and other stand-alone services are available for EVlink Basic and third-party charging stations. To find a service solution, call **888-778-2733** (Option 1, Option 1, Option 6).

Types of Plans

There are three types of Service Packages offered:

Service Package Components	Prime	Ultra	Ultra Max
Subscription plan	Yes	Yes	Yes
Remote activation and commissioning	Yes	Yes	Yes
Full service activation and commissioning	Yes	Yes	Yes
Full service warranty	Yes	Yes	Yes
Remote monitoring services	—	Yes	Yes
Monthly usage reports	—	—	Yes
Routing maintenance	—	Annual	Bi-annual
SKU Number	Per Single Station: 3-year total package EVPRIMES3	Per Single Station: 3-year total package EVULTRAS3	Per Single Station: 3-year total package EVULTRAMAXS3
	Per Dual Station: 3-year total package EVPRIMED3	Per Dual Station: 3-year total package EVULTRAD3	Per Dual Station: 3-year total package EVULTRAMAXD3

Service Package Component Definitions

- **Subscription Plan:** Connected Commercial Software Plan by ChargePoint®.
- **Activation and Commissioning:** A multi-step process to activate station on Network for Web Portal access and GPS location services.
- **Remote Activation and Commissioning:** Customer activates charging station over the phone with Schneider Electric Customer Service.
- **Full-service Activation and Commissioning:** On-site technician activates charging station and verifies proper connection and functionality; requires limited customer involvement.
- **Full-service Warranty:** Upgrade warranty coverage to include three years of hardware and labor. Standard terms and conditions apply. See Statement of Work for more details.
- **Remote Monitoring Services:** Schneider Electric remotely monitors charging stations for quicker response time to any alerts.
- **Routing Maintenance:** Annual (Ultra) or Bi-annual (Ultra Max) preventative maintenance visit provides a comprehensive visual, environmental, and electronic inspection of charging stations to ensure components are performing to defined technical and environmental specifications. This service includes all labor and travel expenses.
- **Monthly Usage Reports:** Customized monthly reporting from Schneider Electric on the status and usage statistics for the EVlink charging station provided to the customer.

EVlink™ DC Fast Charger

Features



EVlink DC Fast Charger (EVDC48050CHACCS)

Catalog Numbers

Table 8: Outdoor Charging Stations—Pedestal-Mount

Catalog Number	Authentication	Input Voltage	Input Current	Output Voltage	Output Current	Mounting Type
EVDC48050CHA ¹	RFID	480 V	79 A	50–500 V dc	125 A Max.	Pedestal
EVDC48050CHACCS	RFID	480 V	79 A	50–500 V dc	125 A Max.	Pedestal
Catalog Number	Description					
EVDCRFIDKF	DC Fast Authentication Cards (Quantity of 10)					

¹ Single cable: only CHAdeMO connector.

Network Services for the EVlink DC Fast Charger

Service Packages provide three years of total care. This tiered offer bundles in the Subscription Plan with full-service activation and commissioning, warranty, ongoing preventative maintenance, break-fix discounts, and critical turn-around services to ensure optimized performance of the electric vehicle charging stations. This offer is available to all EVlink DC Fast (Level 3) products.

Types of Service Packages

There are two types of Service Packages offered:

Service Package Components	DC Ultra	DC Ultra Max
Subscription plan (Greenlots®)	Yes	Yes
Full service activation and commissioning	Yes	Yes
Labor discount (break-fix)	Yes	Yes
Preventive maintenance	Quarterly	Monthly
Response time	Two business days	Next business day
SKU number	EVDCULTRA	EVDCULTRAMAX

Service Package Component Definitions

- **Subscription Plan:** A three-year subscription plan to the Greenlots back-end providing access to all connected features, including remote access and control, as well as payment processing.
- **Full-service Activation Commissioning:** Technician sent on-site to install the back-end network (Greenlots or customer specified¹), register station for Web portal access and GPS location services, and ensure proper connection and functionality of station following electrical installation. For customers who do not purchase a back-end network, ask about the **EV DC Start-up Services (EVDCSTARTUP)**.
- **Break-Fix Discount:** Any parts and labor required for station repair are discounted. See Statement of Work for more details.
- **Preventive Maintenance:** Technician sent on-site to provide a comprehensive visual, environmental, and electronic inspection of the charging station that ensures components are performing to defined technical and environmental specifications. This service also includes filter changes and station cleanings. All labor and travel expenses included. (Quarterly visits are every three months; monthly visits are every month).
- **Response Time:** The amount of time for a technician to arrive on-site from the moment we receive confirmation of station maintenance requirement. Response time is based on a 5x8 Standard Business Day (five days per week, eight hours per day) available as two-day or next day.

¹ For back-end integration services to a different network other than Greenlots, please call us for more information. Scope of work and pricing may vary.

Schneider Electric USA, Inc.
800 Federal Street
Andover, MA 01810 USA
888-778-2733
www.schneider-electric.us

Schneider Electric™ and EVlink™ are trademarks or registered trademarks of Schneider Electric.
All other trademarks are property of their respective owners.

2800CT1001R09/15 © 2011–2015 Schneider Electric All Rights Reserved
Replaces 2800CT1001R01/15

09/2015