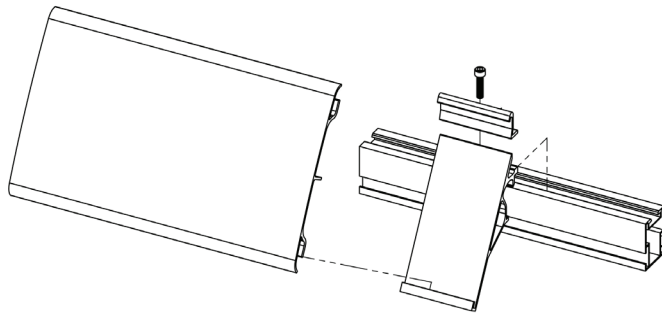




mounting  
systems



## Alpha+ Array Skirt

The Alpha+ Array Skirt provides an optional aesthetic enhancement to the Alpha+ PV mounting system<sup>1</sup>. The Alpha+ Array Skirt works only with shared rail arrays in either portrait or landscape. Shared rail configurations use less material and require fewer roof connections for faster installation.

### Alpha+ Easy Installation

The Alpha+ Array Skirt attaches directly to Alpha+ module rails. Symmetrical rails make layout and installation trouble free. The skirt clip attaches to the module rail and supports the array skirt; both are locked in place by the retainer. The skirt clip hooks onto the top channel of the module rail and rests in the side channel. The lightweight aluminum array skirt is then placed in the clip and secured with the retainer.

### Lasting Beauty

The skirt and connecting components are treated with a black anodized coating for long-lasting beauty and durability. The array skirt is designed to allow airflow for module cooling and evacuation of debris.

### Fully UL 2703 and 1703 certified

The Alpha+ mounting system with the Array Skirt is ETL listed to UL 2703 and UL 1703 Fire Class A with Type 1 and Type 2 modules<sup>2</sup>.



On-roof



Framed module



Unframed module



Orientation portrait



Orientation landscape



Double Roman Tiles



Slate



Plain Tiles



Corrugated metal



Comp shingles



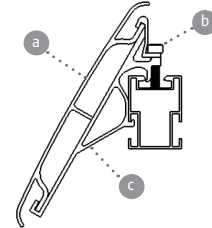
Shared rail



<sup>1</sup> Alpha+ is compatible with nearly every type of roof. For detailed information, please contact us during the planning phase.

<sup>2</sup> The Alpha+ system without the array skirt is also Fire Rated to UL 1703 for Class A roofs with Type 1 and Type 2 modules.

<b>Application</b>	Alpha+ shared rail layouts; portrait and landscape
<b>Roof types</b>	Suitable for most types of roof cladding
<b>Roof slope</b>	Up to 60° <sup>1</sup>
<b>PV modules</b>	Framed or frameless
<b>Module orientation</b>	Landscape, portrait
<b>Size of module array</b>	Any size possible <sup>2</sup>
<b>Skirt dimensions (landscape)</b>	66 x 7.25 x .073 in / 1676 x 184 x 18.5mm
<b>Skirt dimensions (portrait)</b>	39 x 7.25 x 0.73 in / 991 x 184 x 18.5 mm
<b>Standards</b>	IBC 2009 IBC 2012 ASCE 7-05 ASCE/SEI 7-10 UL Subject 2703 Ed. 2 UL 1703 ANSI/AISC 360-05 ACI 318-08 Aluminum Design Manual 2010 Eurocode 1-DIN EN 191-1-1 – Actions on structures Eurocode 9 - Design of aluminum structures
<b>Supporting profiles</b>	Extruded Aluminum (EN AW 6063 T66)
<b>Small parts</b>	Stainless steel (V2A)
<b>Color</b>	Black anodized
<b>Warranty</b>	10 years <sup>3</sup>



- a Array Skirt
- b Skirt Retainer
- c Skirt Clip



<sup>1</sup> Different maximum values may apply, depending on site, building, choice of roof attachments and module type.  
<sup>2</sup> The Mounting Systems QuickConfigurator can be used to verify the structural adequacy of each specific project quickly and easily.  
<sup>3</sup> For details, please consult Mounting Systems, Inc. full warranty document, available upon request.