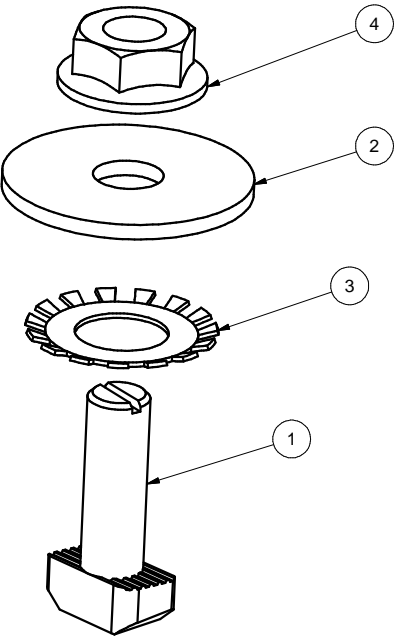


REVISIONS			
REV	DESCRIPTION	BY	DATE
A	INITIAL RELEASE	LWF	12/20/2018



ITEM	PART NUMBER	DESCRIPTION	QTY
4	B15002-001	FLANGE NUT 1/4-20	1
3	B15048-001	STAR WASHER FOR 3/8 BOLT	1
2	B15025-001	WASHER, FLAT FENDER, 1/4" NOM, 304 SS	1
1	B20015-004	T-BOLT 1/4 -20 X 3/4	1

MATERIAL		SEE NOTES	
Third Angle Projection:			
GENERAL SPECIFICATIONS		SunModo Corp. 14800 NE 65TH STREET, VANCOUVER WA 98682	
All Dimensions in inches [millimeters] Tolerances X.XXX ±0.01 [0.25mm] X.XX ±0.02 [0.50mm] X.X ±0.039 [1.0mm] Unless otherwise spec'd			
Break all sharp edges .010-.020 unless otherwise specified.		TITLE	
DRAWN BY		MICROINVERTER HARDWARE KIT	
LWF		DRAWING NUMBER	
DATE		B K10363-001	
12/20/2018		SCALE: 1/0.5	
CHECKED BY		SHEET 1 of 1	
APPROVALS			

THIS DRAWING IS CONFIDENTIAL PROPERTY OF SUNMODO AND ITS CONTENTS MAY NOT BE DISCLOSED WITHOUT THE PRIOR WRITTEN CONSENT OF SUNMODO CORP.