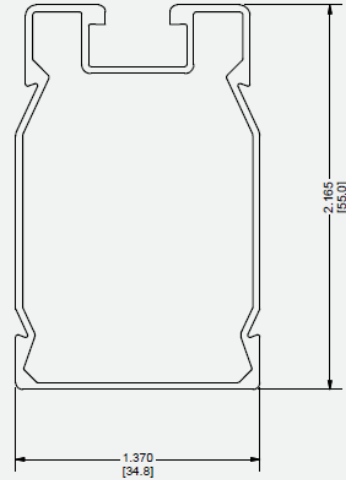


SMR100 Rail



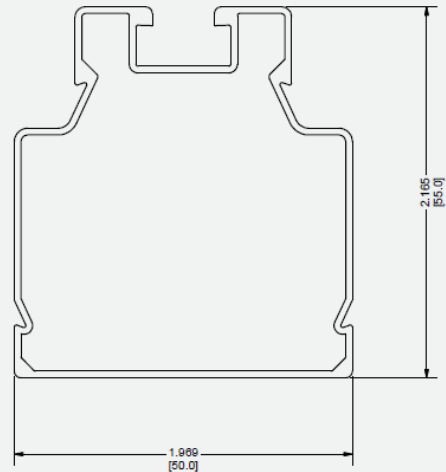
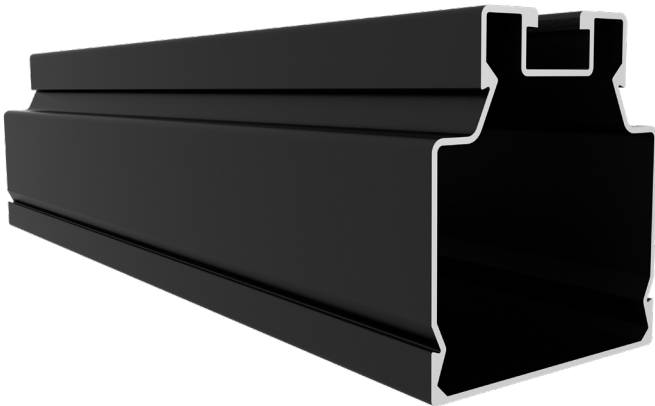
Mechanical Properties

Material: 6005-T5 Aluminum
 Weight: 0.4126 lbs/ft (0.614 kg/m)
 Ultimate Tensile Strength: 37.7 ksi (260 MPa)
 Yield Strength: 34.8 ksi (240 MPa)

Section Properties

Sx: 0.196 in³ (3.21 cm³)
 Sy: 0.146 in³ (2.39 cm³)
 Area (X-section): 0.352 in² (2.27 cm²)

SMR200 Rail



SMR200 Rail

Mechanical Properties

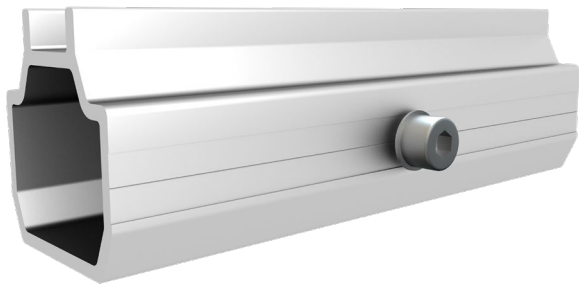
Material: 6005-T5 Aluminum
 Weight: 0.645 lbs/ft (0.960 kg/m)
 Ultimate Tensile Strength: 37.7 ksi (260 MPa)
 Yield Strength: 34.8 ksi (240 MPa)

Section Properties

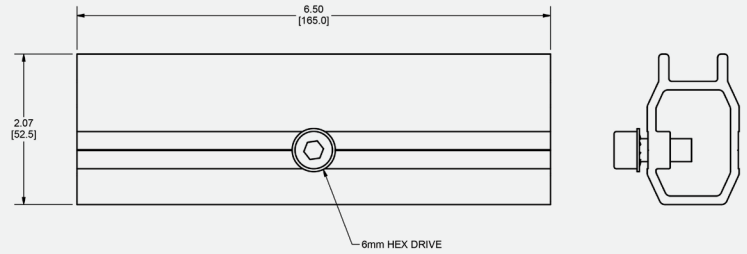
Sx: 0.321 in³ (5.26 cm³)
 Sy: 0.272 in³ (4.46 cm³)
 Area (X-section): 0.551 in² (3.55 cm²)

Part Number	Description
A20422-168-BK	SMR100 Rail, Black Anodized, 168"
A20453-168-BK	SMR200 Rail, Black Anodized, 168"
A20440-BK1	Rail End Cap, SMR100, Black
A20440-BK2	Rail End Cap, SMR200, Black

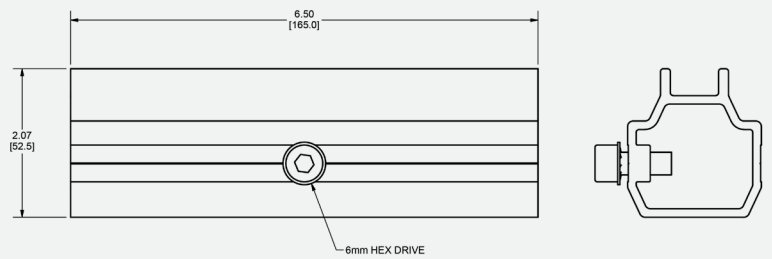
SMR Rail Splices



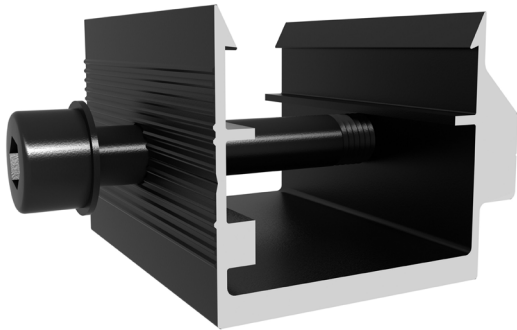
SMR100 Bonding Rail Splice



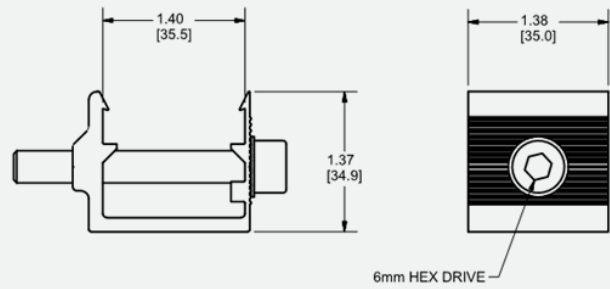
SMR200 Bonding Rail Splice



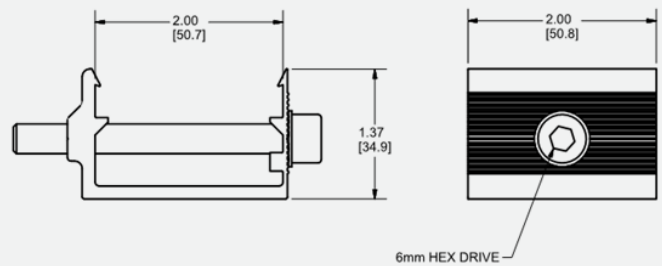
L-Foot Adaptors



SMR100 L-Foot Adaptor



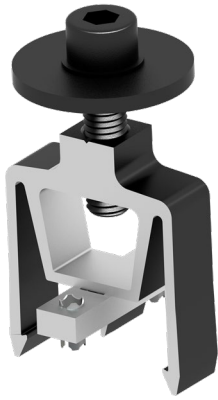
SMR200 L-Foot Adaptor



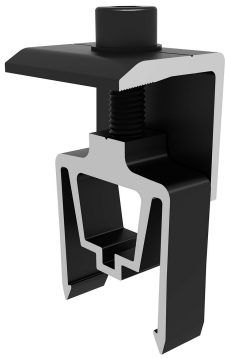
Part Number	Description
K10421-002	Structural Splice, SMR100
K10462-002	Structural Splice, SMR200
K10433-BK1	L Foot Adaptor, SMR100, Black
K10434-BK1	L Foot Adaptor, SMR200, Black

- Materials:
1. Extrusions 6005-T5 Aluminum
 2. Hardware 304 Stainless Steel

Mid Clamp



End Clamp

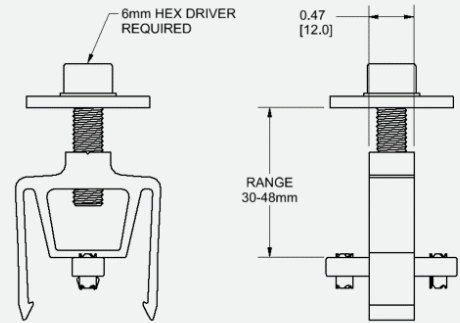


Shared Rail Mid/End Clamp

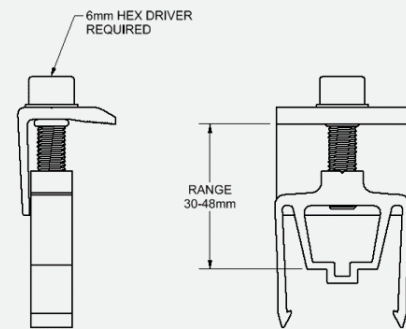


Part Number	Description
K10417-BK3	Mid Clamp, SMR Pop-On, Black
K10418-BK3	End Clamp, SMR Pop-On, Black
K10419-BK1	Shared Rail Mid Clamp, SMR Pop-On, Black
K10420-BK1	Shared Rail End Clamp, SMR Pop-On, Black

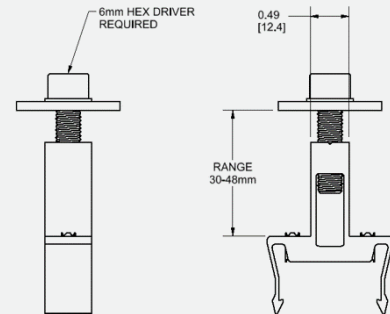
Pop-On Bonding Mid Clamp



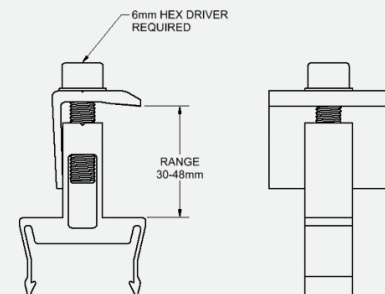
Pop-On End Clamp



Shared Rail Bonding Mid Clamp



Shared Rail End Clamp



Materials:

1. Extrusions 6005-T5 Aluminum
2. Hardware 304 Stainless Steel